

TECHNOLOGY IN MOTION



# MACO PROTECT

DOOR LOCKS



Double the Attraction

MULLION FREE DOUBLE  
DOOR LOCKS

MACO  
PROTECT



### **Elegance without compromise**

Security, performance and ease of operation should not be at the expense of elegance.

Slimline double door sets should be both elegant and perform to the latest standards for security and performance, they should be easy to use and simple to adjust, and designed to last.

At MACO UK we have developed the C-TS mullion free door lock to do just that, a solution that you can put your reputation on.



### **Elegant Slimline Design**

MACO  
PROTECT



## Mullion Free Double Door Lock



### For Timber and Composite Door Systems

- Twin C-TS combined lever operated door locks, locking directly into one another
- Primary sash cannot lock into the secondary until the secondary door has been operated
- Fully adjustable secondary lock and top and bottom shootbolt strikes
- Steel hooks for increased security
- Lift lever and split spindle operation from one single lock
- 'MACO' latch retention device for split spindle operation
- High stability through a 3mm thick faceplate, available in faceplate widths of 16mm and 20mm\*
- PAS24-2012 security tested (with PAS24 shootbolts)
- Endurance tested to 50,000 full operation cycles and 200,000 latch cycles
- MACO silver look surface treatment tested to 480 hours Class 5 EN 1670 corrosion resistance
- 10 year product warranty
- Use in conjunction with MACO T80C composite door hinges
- Approved under the MACO Secure Plus scheme

\*Available soon

**MACO  
PROTECT**



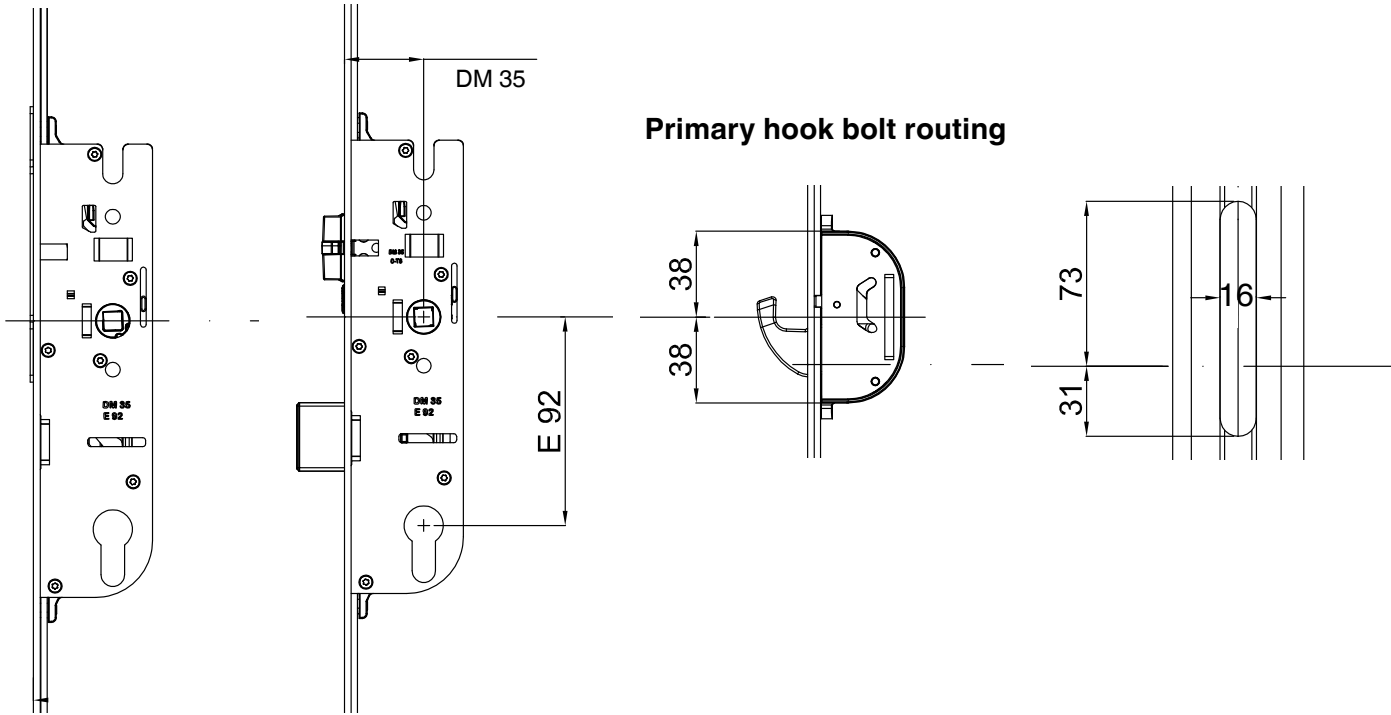
## Order Information



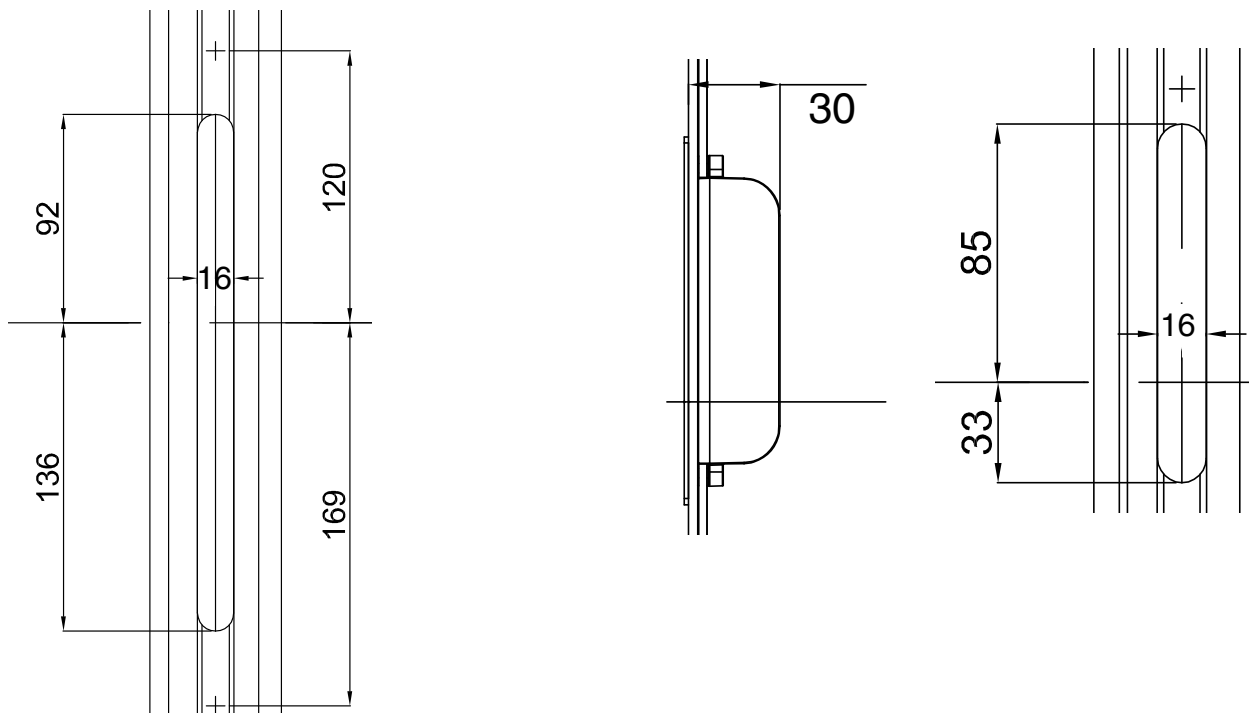
16mm Faceplate	20mm Faceplate	Locking Style	BS (mm)	HC (mm)	Spindle (mm)	Latch Snib (mm)	Length (mm)	Min SRH (mm)	Max SRH (mm)	Box Qty	
244361	244371	2 Hook	35	92	8	n/a	1800	1790	2300	5	
244363	244373	2 Hook	45	92	8	n/a	1800	1790	2300	5	
244381	244391	Secondary Lock	35	92	8	21	1800	1790	2300	5	
244383	244393	Secondary Lock	45	92	8	21	1800	1790	2300	5	
244751	244791	Secondary Lock	35	92	8	10	1800	1790	2300	5	
244753	244793	Secondary Lock	45	92	8	10	1800	1790	2300	5	
209355	227601	Bottom primary & secondary shootbolt						120	1790	2300	10
101959	227602	Top primary & secondary shootbolt						200	1790	2000	10
58335	101073	Top primary & secondary shootbolt						300	1890	2100	10
200982	104902	Top primary & secondary shootbolt						500	2090	2300	20
226985	226985	Double slot 4mm air gap adjustable shootbolt strike									
211831	227597	PAS 24 Bottom primary & secondary shootbolt						120	1790	2300	10
102363	227598	PAS 24 Top primary & secondary shootbolt						200	1790	2000	10
211835	227599	PAS 24 Top primary & secondary shootbolt						300	1890	2100	10
211836	227600	PAS 24 Top primary & secondary shootbolt						500	2090	2300	10
226985	226985	Double slot 4mm air gap adjustable shootbolt strike									20



## Lock Case Routing Detail



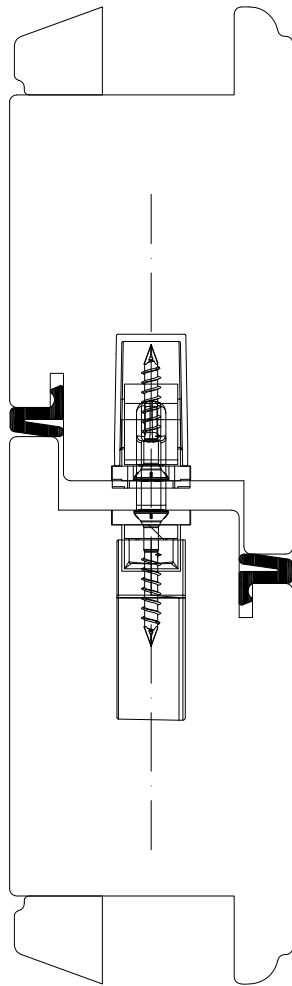
### Primary and secondary centre lockcase routing    Secondary sash hook receiver routing



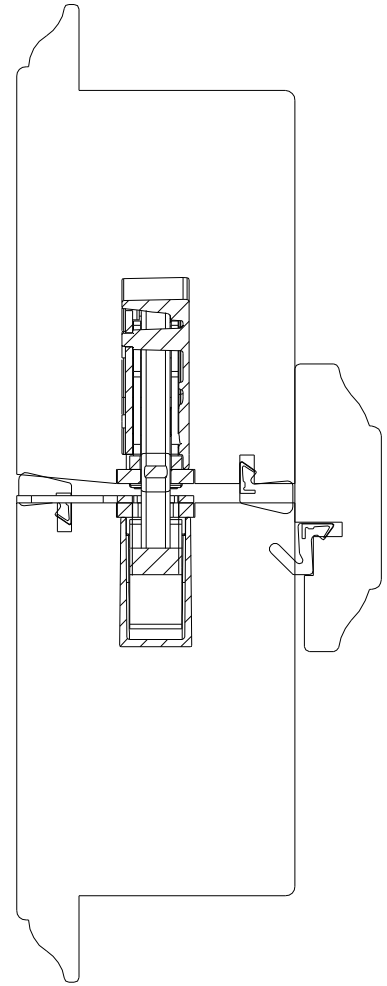
MACO  
PROTECT



## Typical section detail



Section Drawing  
for 10mm latch snib



Section Drawing  
for 21mm latch snib



**MACO  
PROTECT**



**MACO DOOR & WINDOW  
HARDWARE (U.K.) LTD**  
EUROLINK INDUSTRIAL CENTRE  
CASTLE ROAD; SITTINGBOURNE  
KENT ME10 3LY  
TEL +44 (0)1795 433900  
FAX +44 (0)1795 433902  
enquiry@macouk.net  
www.macouk.net