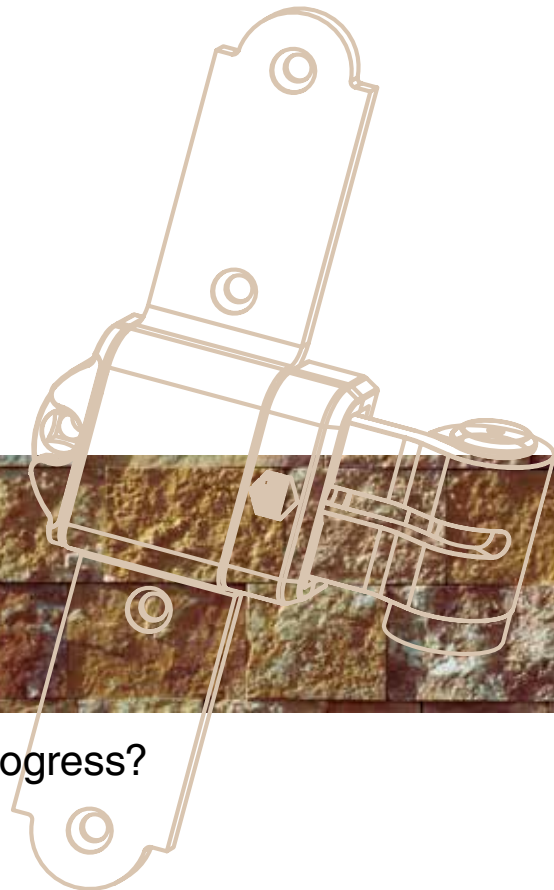


TECHNOLOGY IN MOTION



**MACO
RUSTICO**
SHUTTER HARDWARE



How stable is progress?

WALL CLADDING AND
WALL ASSEMBLY

**MACO
RUSTICO**



The new MACO RUSTICO line is the logical and natural development of the previous line for wall assembly or wall covering. After years of studies and research, we have found the solution that everyone has been waiting for and which will amaze you with its simplicity.

The highlight of this system is the unique combination between stability of the steel and adjustability of the hardware.

An advancement that takes you directly into the future.



New technology that combines power and design

MACO
RUSTICO



Less is more



A single hinge for different materials

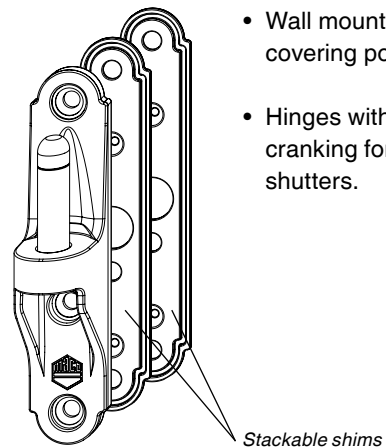
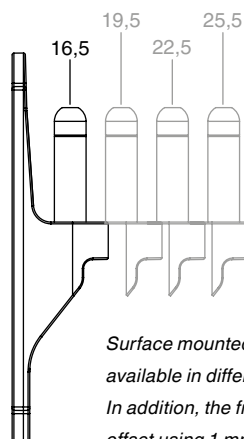


We deliver only that which is really needed

The new system delivers increased flexibility.

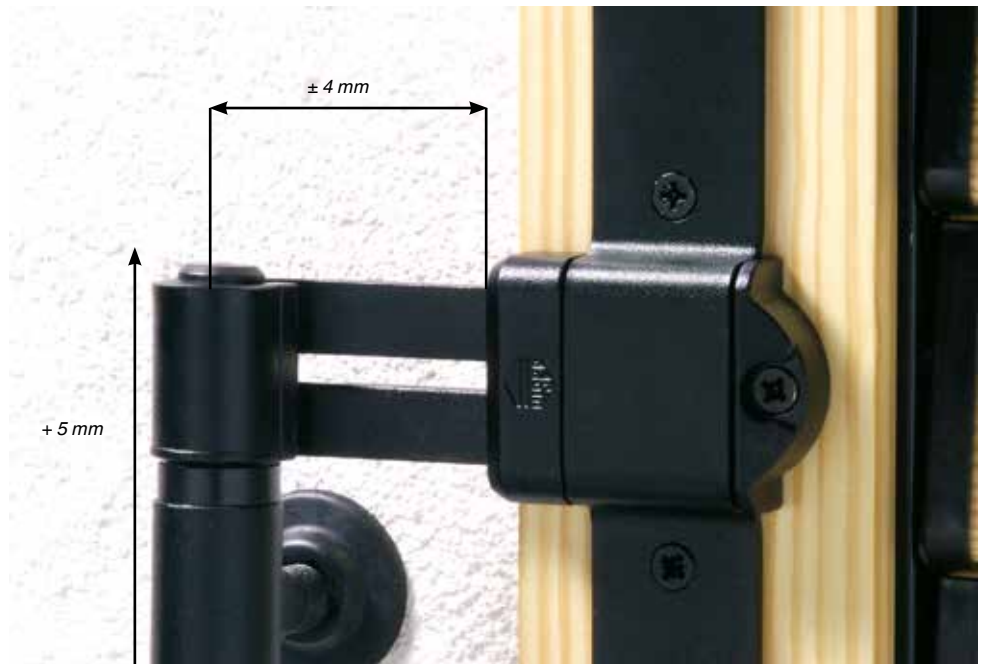
The screw-on tab has been eliminated, allowing the position of the hinge to be on the profile to be chosen freely.

- Fewer different, adjustable single parts.
- Optimisation of storage.
- More combinations.
- Wall mounting and wall covering possible.
- Hinges with adjustable cranking for all folding shutters.

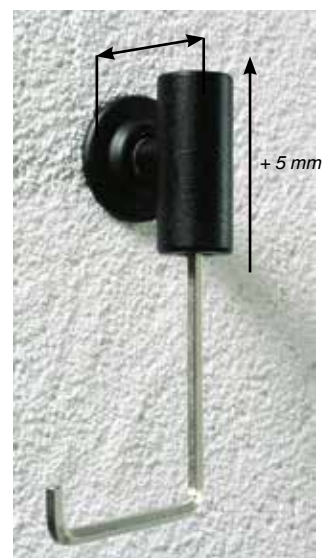
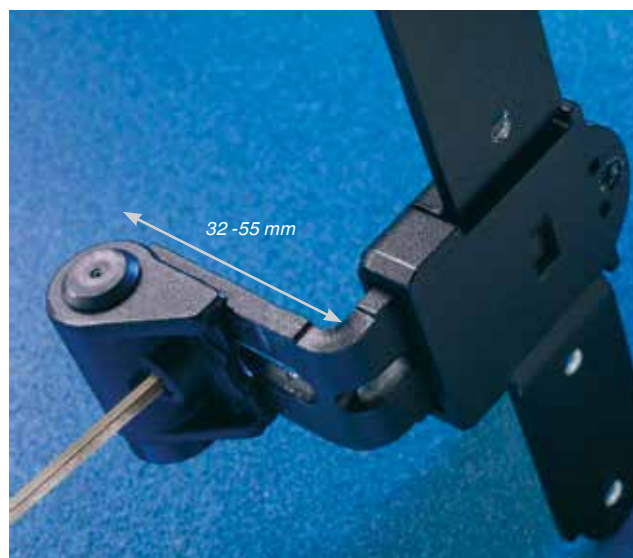
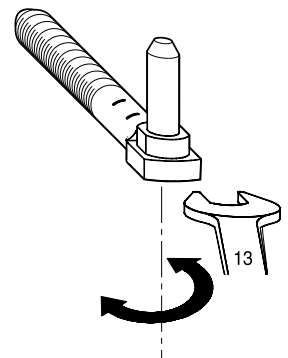




Adjustable in all directions



- Shutter pins with height adjustment.
- Adjustable cranking 32-55 mm (for folding shutters).
- Side adjustment ± 4 mm.
- Surface mounted frame hinge with stackable shims.



MACO
RUSTICO



Outer and inner thickness



The new steel structure delivers the high mechanical resistance of the new hinges, with the special *MACO-premium Surface* ensuring chemical resistance. It has been designed to protect the hinges from corrosion and climatic influences.

MACO-premium Surface

- Triple corrosion protection.
- Protects against aggressive environmental effects.
- Dirt and water repellent.
- Environmentally friendly procedure.

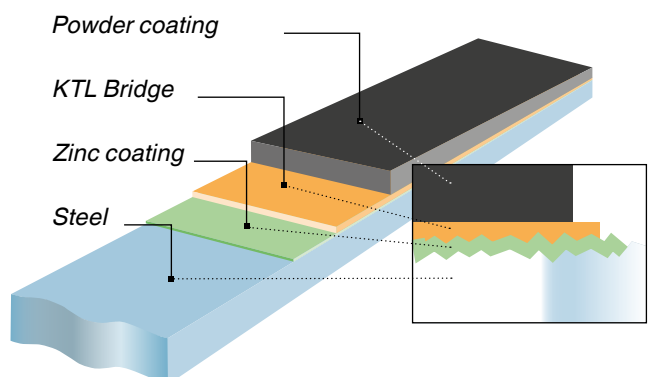
Additional protection against corrosion

- Centre hinges and hinges are equipped with sturdy plastic sleeves that prevent fat corrosion.



MACO-premium Surface structure

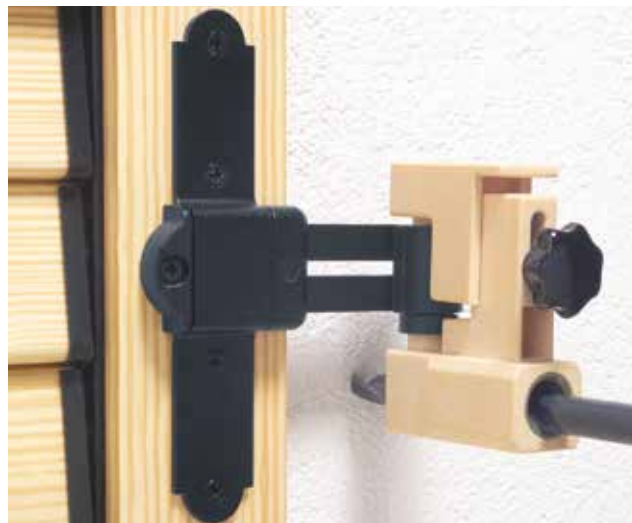
- KTL coating fills all unevenness and prevents cavities.





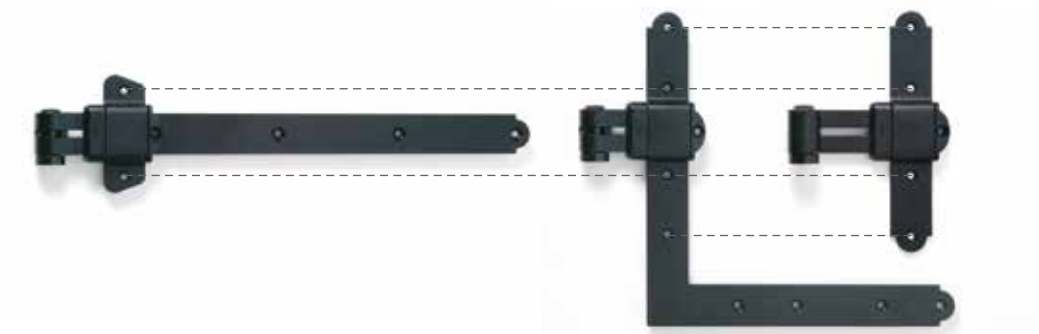
Time-saving assembly

... Thanks to a complete jig selection



- Drilling jigs for hinge, surface mounted frame hinge and centre hinge assembly.
- Drilling jig for shutter pin masonry drilling at 30° and 90°.
- Jigs for drilling of chemical dowels.

... Thanks to uniform drilling pattern



- Uniform hole spacing: 62 mm
- Hole spacing cross and long hinge: 148 mm

... Thanks to surface mounted frame hinge with positioning pin

- The positioning pin of the surface mounted frame hinge requires only a single drilling.



**MACO
RUSTICO**



Strength and additional protection



A steel core

Stable and secure

- Hinge roll in 5 mm steel.
- Long hinge double riveted.
- Hinge loops in 3 mm steel.

Certified security and additional burglary protection



- Screw-in sleeve for screwing from inside.

**MACO
RUSTICO**



**MAYER & CO
BESCHLÄGE GMBH**

Alpenstraße 173
A-5020 Salzburg

Tel.: +43 662 6196-0
E-Mail: maco@maco.eu
www.maco.eu

Satisfied?

We appreciate your
feedback@maco.eu

Order No. 49789EN – Date: June 2005
All rights reserved and subject to change.