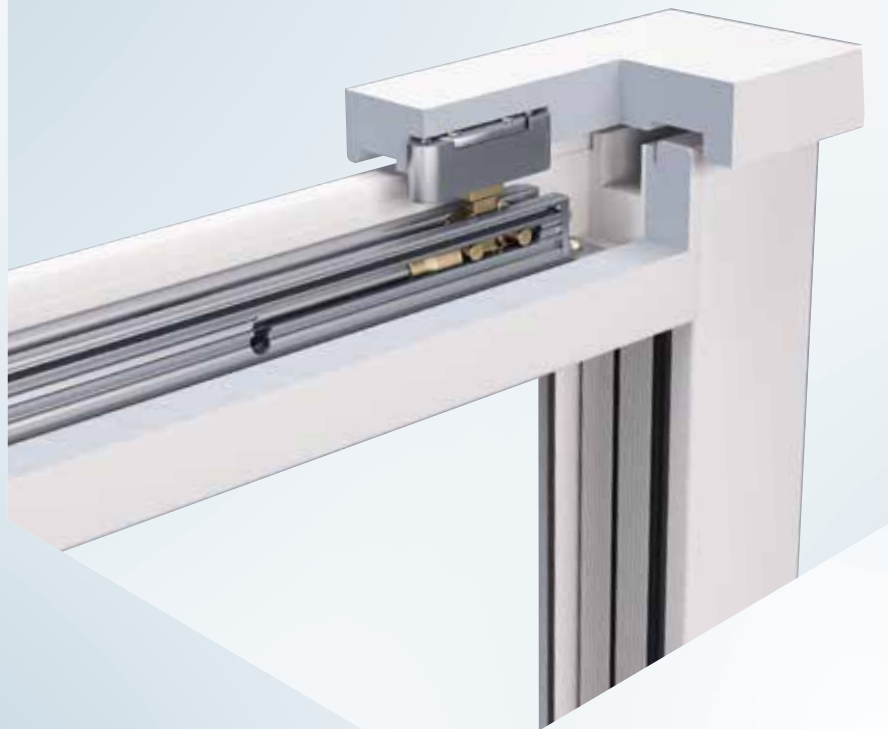


ORDERING TOOL / MOUNTING INSTRUCTIONS

HS comfort close concealed arrangement

Inoutic Prestige sash HST276



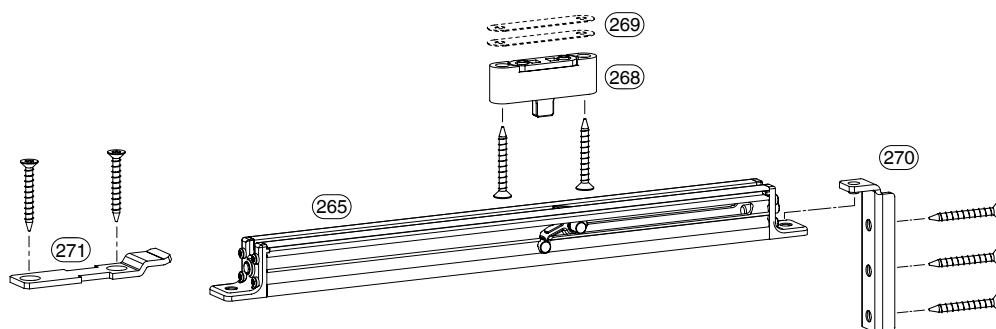
Use
exclusively for specialists!



Table of Contents

Description	Page
Fittings overview	3
Preparation frame	4
Preparation sash	5
Reference dimension	6
Adjustment option	7
Technical data	8

Fittings overview



Pos.	Description
(265)	Comfort Close
(268)	Frame piece
(269)	Packer frame piece
(270)	screw-on bracket
(271)	Bracket

Screws are not included in scope of delivery. Respective specifications represent a recommendation, only.

Note: All measurements in this document are indicated in millimetres.

Items required for scheme

A	C	Article description	Item Code	
1	1 ^{y)}	Comfort Close (265) ^{z)}	size 1 ≤ 200 kg sash weight ≤ 30 N Sliding force	300359
			size 2 > 200 ... 300 kg sash weight ≤ 50 N Sliding force	300360
1	1 ^{y)}	Frame piece concealed arrangement B = 13 mm 19 mm Comfort Close silver (268)	300380	
x)	x)	Cover concealed arrangement for frame piece Comfort Close (no ill.)	300432	
x)	x)	Packer concealed arrangement NB = 12 mm 0.5 mm for frame piece Comfort Close (269)	302323	
1	1 ^{y)}	Accessories 19 Comfort Close (269) (270) (271)	300573	

x) optional

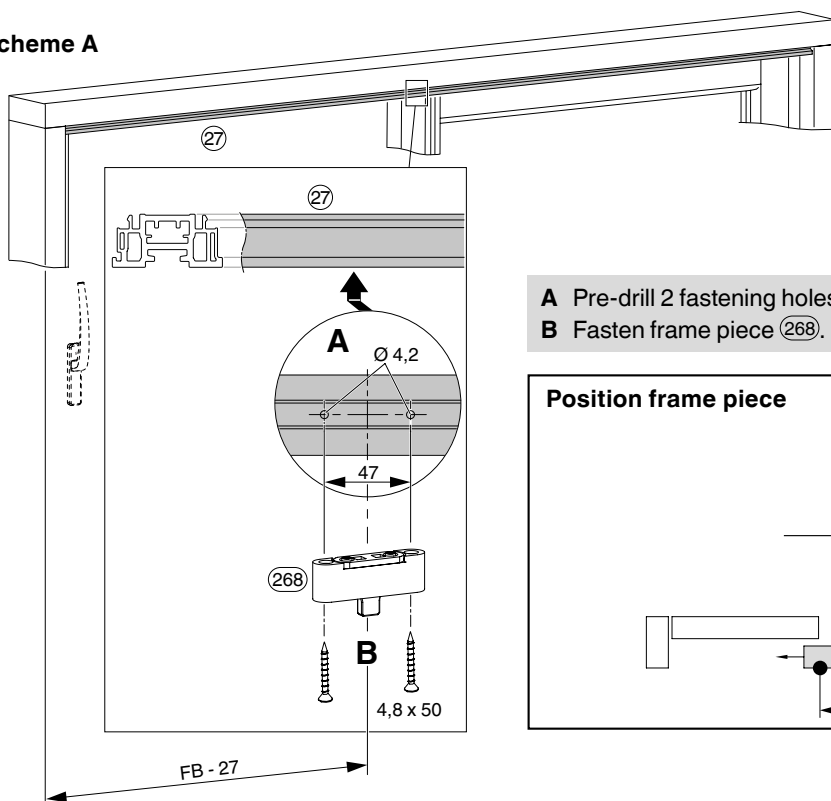
y) per sliding sash

z) Colour of damper: size 1 - black, size 2 - silver-grey

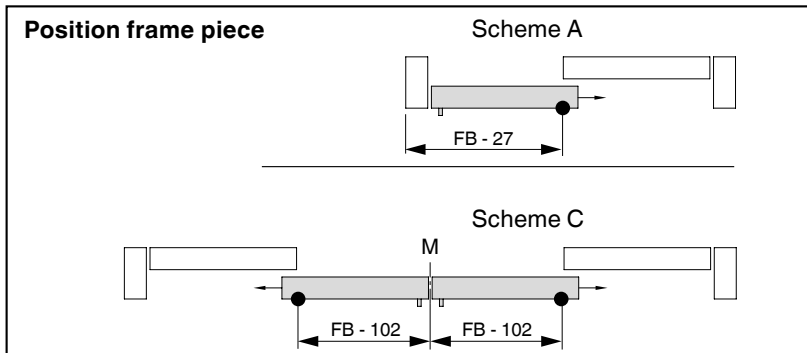
Preparation frame

Example: scheme A and C

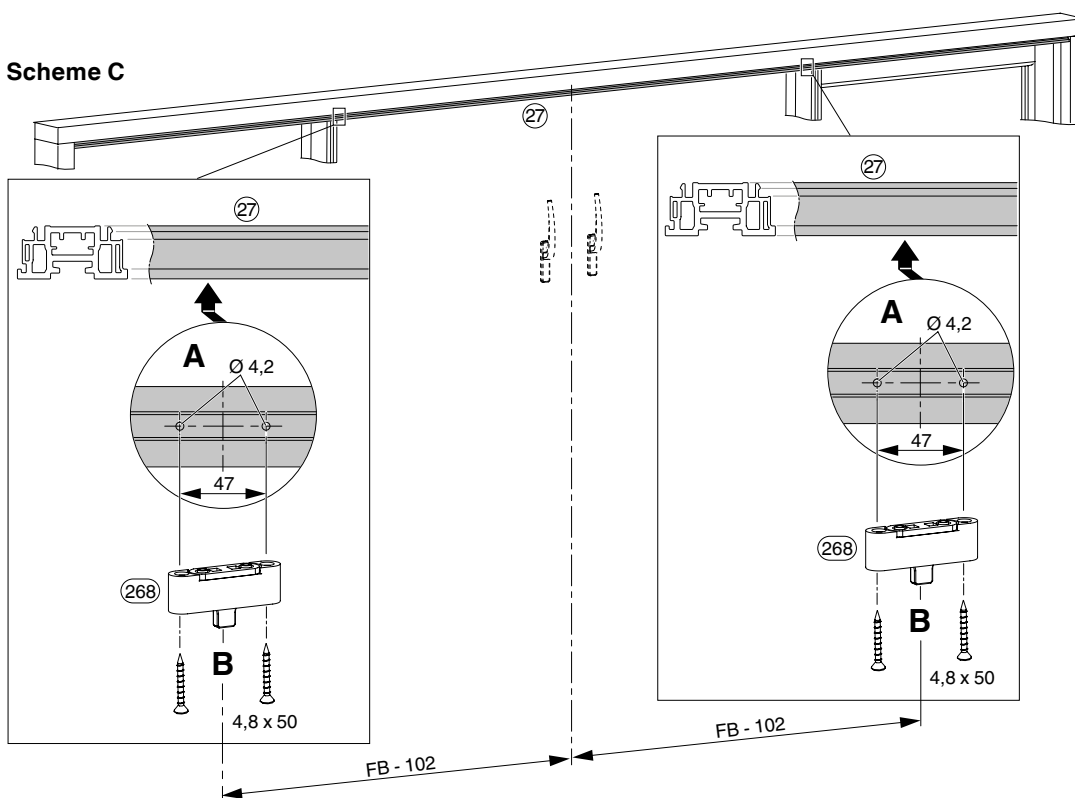
Scheme A



- A** Pre-drill 2 fastening holes $\varnothing 4.2$.
- B** Fasten frame piece (268).

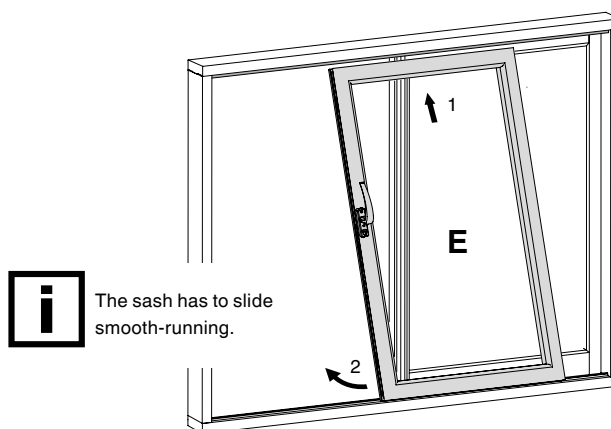
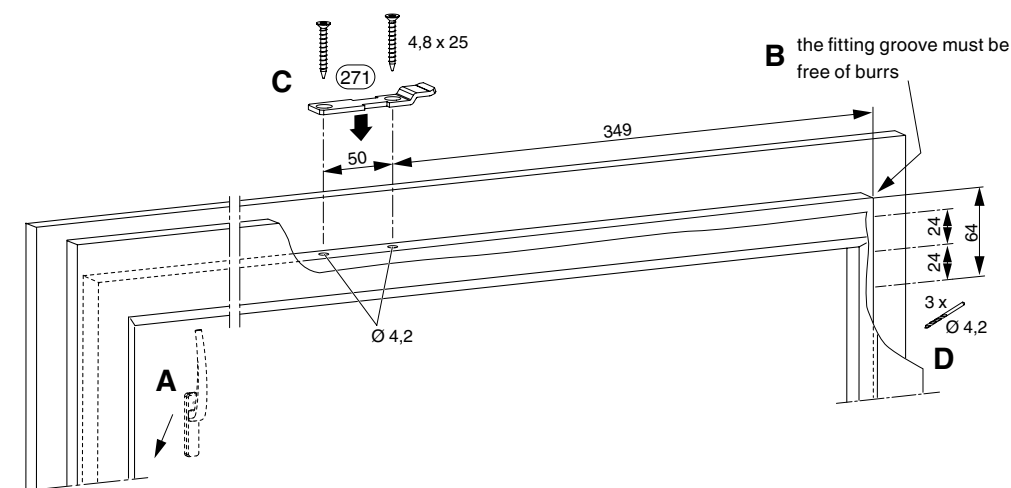


Scheme C



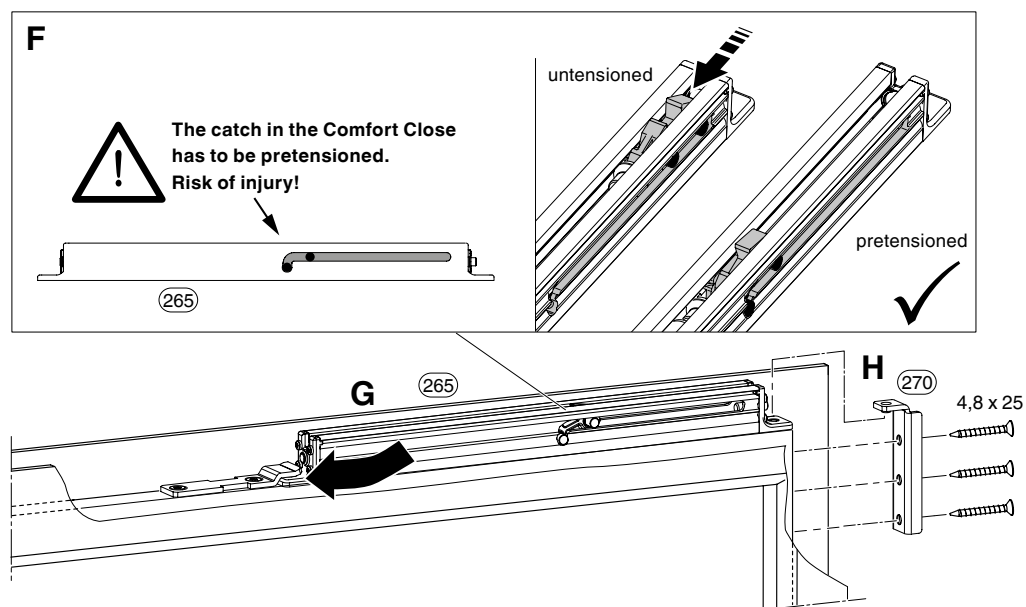
Preparation sash

- A** Mounting of the Comfort Close at non-handle side.
 - B** The fitting groove must be free of burrs.
 - C** Position bracket (271) at the sash. Pre-drill the holes with $\varnothing 4.2$. Fasten bracket with screws 4.8 x 25.
 - D** Drill holes for screw-on bracket (270) with $\varnothing 4.2$.
 - E** Hanging the sash.
 - F** Comfort Close (265) has to be pretensioned.
 - G** Insert the housing into the half opened sash from middle post until bracket (271).
 - H** Mount screw-on bracket (270) with 3 screws 4.8 x 25.
- The Comfort Close has to be fixed at both ends within reinforcement. Otherwise the Comfort Close can be damaged while opening/closing the sash. Risk of injury!



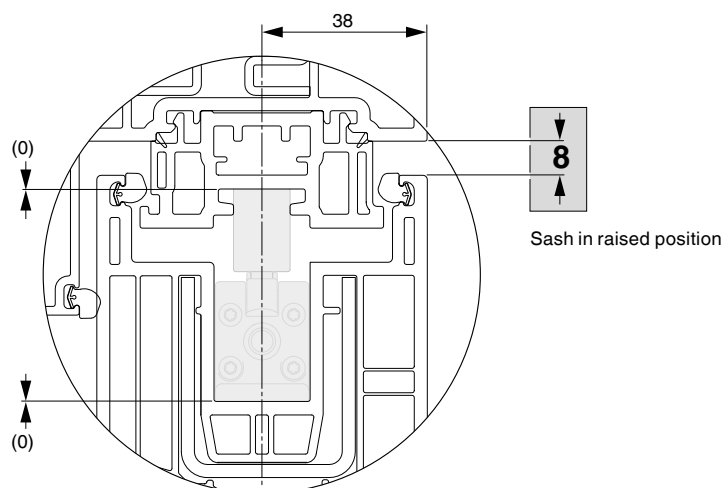
refer to mounting instructions 756801, too

Mounting position



Reference dimension

- To check the height of the frame piece, swivel in the sash, lift it and slide into closing position.
- Measure reference dimension within the range of the Comfort Close (desired value = 8 mm).
- Lift the sash out, if necessary, and compensate deviation to the reference dimension with packers frame piece (269).
- Fasten guide track on fixed sash side.



Adjustment option

In case of inaccuracy concerning position of the frame piece, the end position of the sash related to the frame can be adjusted.

L (counter-clockwise rotation):

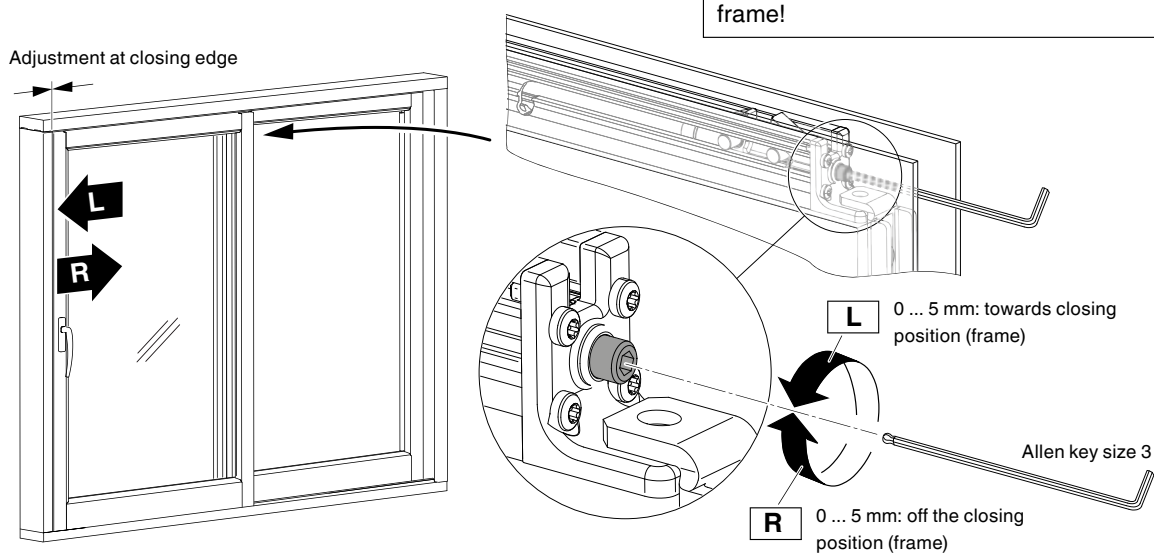
closing of sash will be shifted in direction of handle side (0 ... 5 mm).

R (clockwise rotation):

closing of sash will be shifted in direction of non-handle side (0 ... 5 mm).

Note:

Adjustments may be changed after glazing the sash and mounting the frame!



Technical data

Range of application scheme A:

Sash width (FB)	730 – 3320 mm
FBmin. for 2x Comfort Close	1000 mm
Sash height (FH)	725 – 2830 mm
Outer frame width (RAB)	acc. to profile manufacturer's specifications
Sash weight or sliding force without Comfort Close	size 1: max. 200 kg or max. 30 N size 2: max. 300 kg or max. 50 N

Depending on version of the profile sealing to be used, it can happen, that the sash cannot close completely.

Relevant dimensions Comfort Close (H x T)	27.5 mm x 22 mm
Soft move-in	starting approx. 100 mm off the closing edge
Increase of sliding force with Comfort Close	size 1: by 25 N (black) size 2: by 45 N (silver-grey)

Range of application is depending on used profile systems. Specifications of profile manufacturers to be observed.



Notes

A large rectangular area filled with a fine grid pattern, intended for taking notes.



Notes

A large rectangular area filled with a fine grid pattern, intended for taking notes.



Notes

A large rectangular area filled with a fine grid pattern, intended for taking notes.

**MACO
RAIL-SYSTEMS**



**MAYER & CO
BESCHLÄGE GMBH**

Alpenstraße 173
A-5020 Salzburg

Tel.: +43 662 6196-0
E-Mail: maco@maco.eu
www.maco.eu

Satisfied?

We appreciate your
feedback@maco.eu

Order No. 757732 - Date: January 2019
All rights reserved and subject to change.
Graphic source: MACO

This print document is revised regularly.
The latest version is available at
<http://www.maco.eu/sites/assets/MacoDocs/757718/757732.pdf>
or by scanning the QR code

