

MACO MULTI ZERO

LOCKING HOOK FOR
ZERO-BARRIER THRESHOLD SYSTEMS



BARRIER-FREE NO IFS AND BUTS

Barrier-free in the truest sense of the word: our zero-barrier threshold system, MULTI ZERO, is a step ahead, designed with the future in mind.

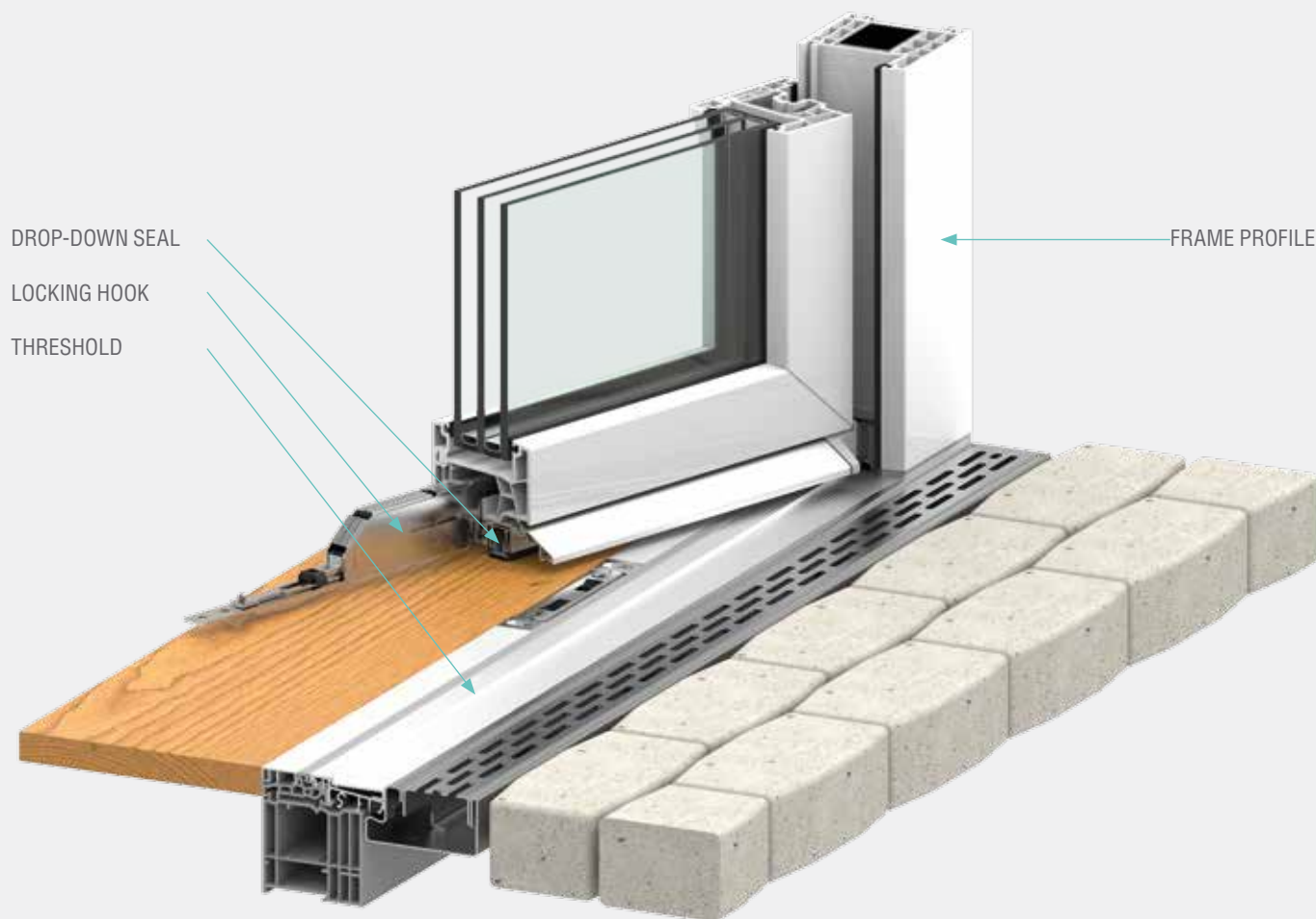
The standard-compliant 20 mm is not our tolerance limit for barrier-free thresholds – no, at MACO, only zero millimetres will do: The technically unique, flush-fit threshold poses no obstacle for a child's trike, walking frame or wheelchair. It is suitable for the high-end private market as well as public buildings, retirement homes, nursery schools, and so on. An integrated drop-down seal provides the necessary water and air tightness while the smart MULTI ZERO double hook offers extra security for burglar-resistance (security class RC 2) and the much-desired turn&tilt function.



ZERO-BARRIER THRESHOLD SYSTEM

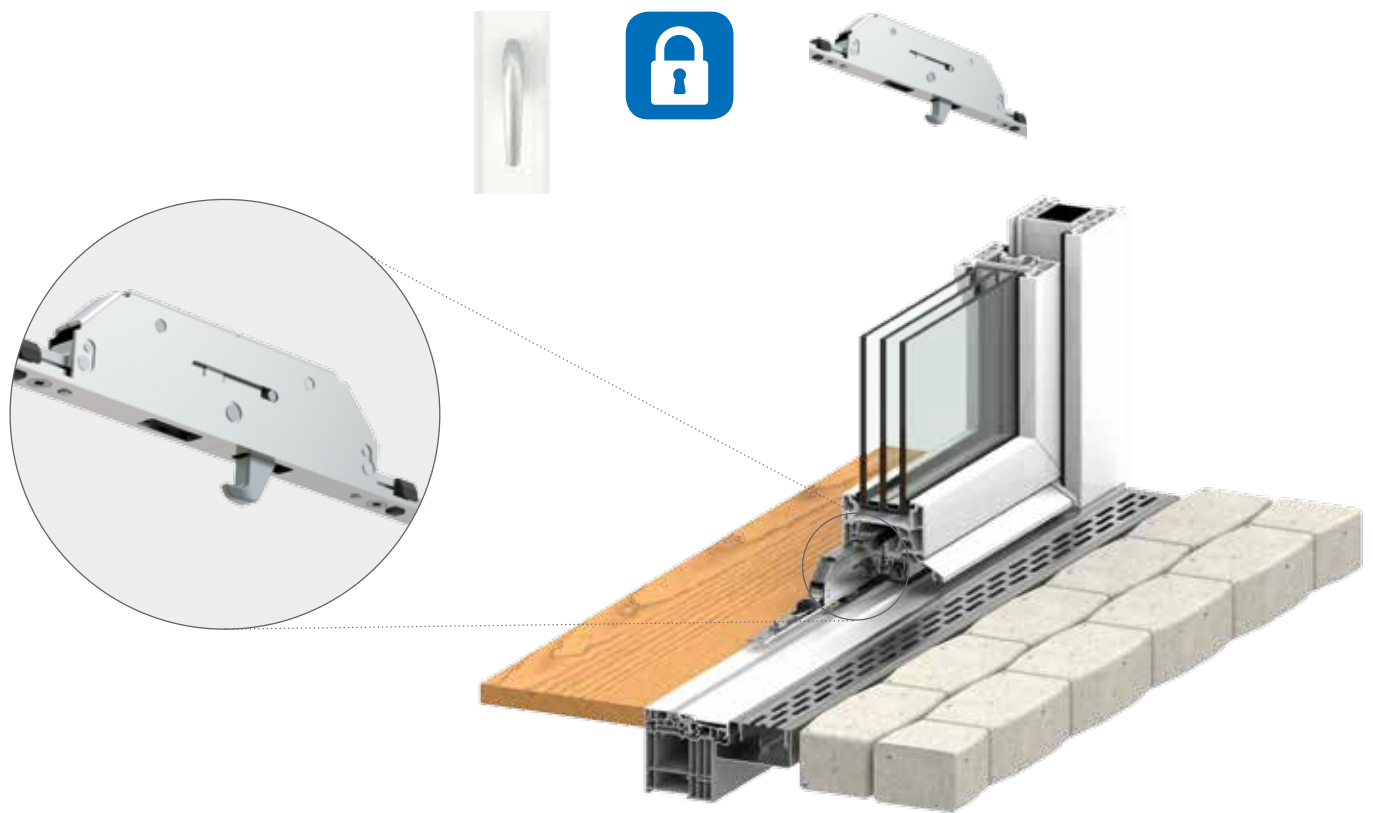
The zero-barrier threshold system is a highly intelligent solution, and a technical challenge, which cannot be created by one manufacturer alone. Only by combining the best solutions can we achieve the best product, which is why we,

as an innovative hardware provider, turn to expert system partners: Together we have developed a complete solution, which is unique on the market. Convenient, secure, sealed—with the familiar MACO quality.

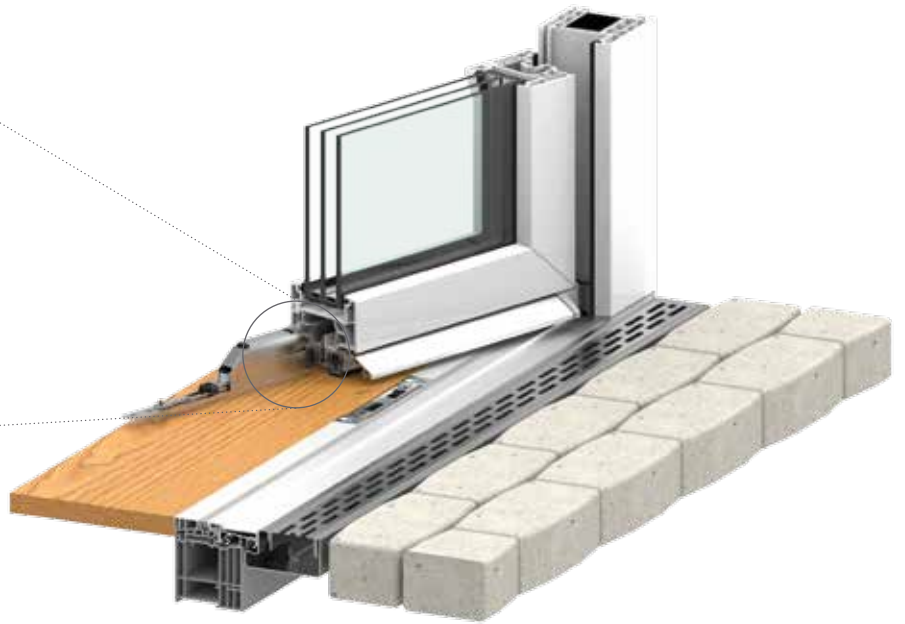


ZERO-BARRIER THRESHOLD SYSTEM

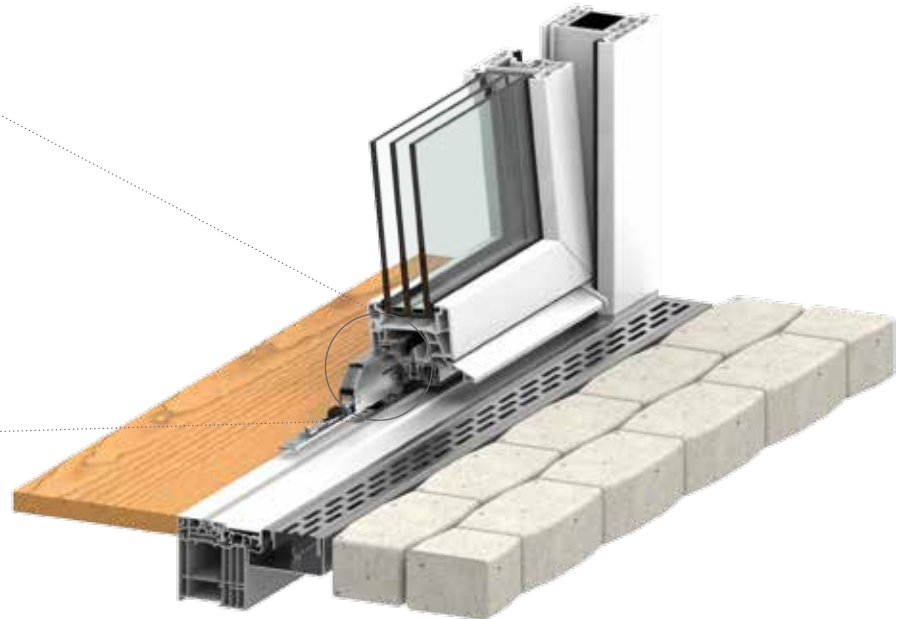
The smart MULTI ZERO double hook:



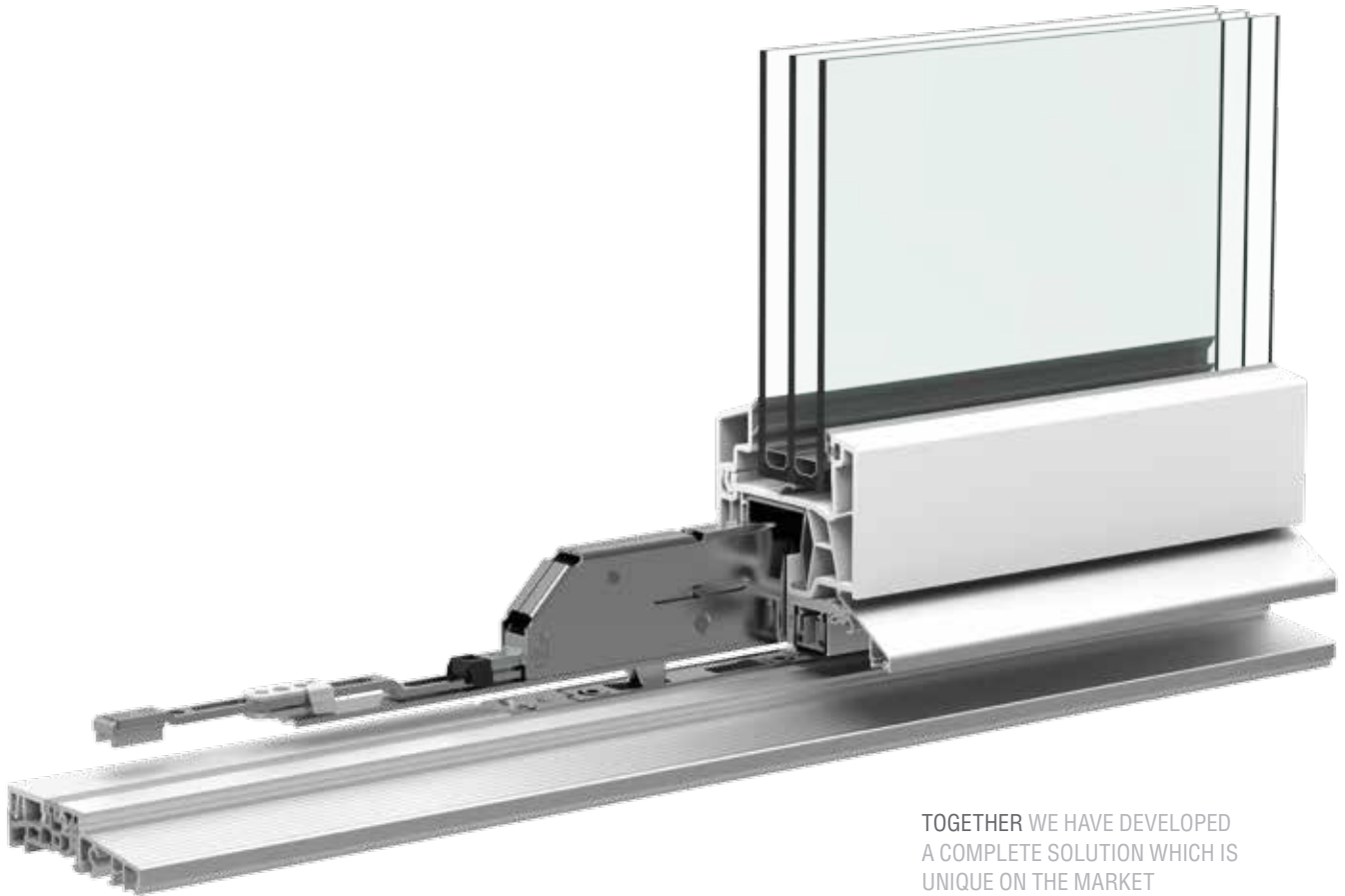
THE LOCKING POINTS IN THE THRESHOLD PROVIDE MAXIMUM POSSIBLE SECURITY



THE SMART MULTI ZERO DOUBLE HOOK COUNTERSINKS INTO THE SASH REBATE, THEREBY ENABLING A CONVENIENT ZERO-BARRIER THRESHOLD



MAXIMUM POSSIBLE SECURITY THROUGH ANTI-JEMMY PROTECTION IN THE TILT POSITION WITH LOCKING HOOK



TOGETHER WE HAVE DEVELOPED
A COMPLETE SOLUTION WHICH IS
UNIQUE ON THE MARKET

YOUR ADVANTAGES AS A WINDOW MANUFACTURER

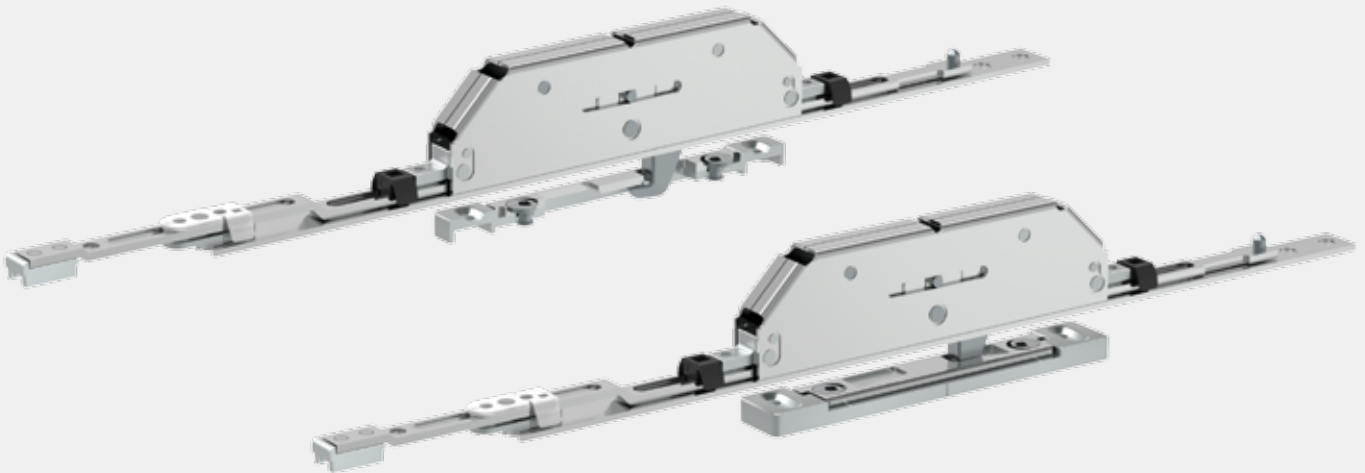
- Enables easy construction of stepless thresholds with locking points – unique on the market
- Lowest possible logistics effort, as just two additional items are required
- Locking hook can be linked for easy adaptation to the door width
- Easy fabrication as only one pocket must be milled in the fitting groove
- Tilt striker plate is not needed and replaced by striker plate for locking hook
- Centre die anchorage for easy and secure assembly
- No restriction for the construction of security casement doors, standardized security class RC 2 possible

BENEFITS FOR THE END USER

- Unparalleled convenience as the threshold allows wheels to roll over it without any resistance
- Zero-barrier – yet sealed against ingress of water and air
- “Turn AND tilt”
- The locking hook enables standardized security class RC 2 for zero-barrier threshold systems
- Greater convenience than prescribed by the standard, where thresholds of 20 mm are regarded as “barrier-free”
- Same maintenance interval as for all other hardware components

TECHNICAL APPLICATION RANGE

- Maximum sash weight 220 kg (depending on hinge-side)
- For the MULTI-MATIC hardware range, cannot be combined with tilt lock bolt
- For 1-sashed casement doors
- For rectangular turn&tilt units
- For timber, timber/aluminium, PVC and PVC/aluminium
- Application range:
S.R.W 540 - 1800 mm,
S.R.H 360 - 2800 mm
- For all visible hinge-sides
- Ranges for height, side and gasket compression adjustment according to hinge-side used
- Setting range for gasket compression adjustment of the locking hook ± 1.5 mm
- Tilt depth remains unaffected
- For zero-barrier threshold systems with 4 or 7.5 mm air gap
- For systems with 13 mm offset of the hardware axis
- Minimum depth for striker plate 22 mm





OUR SYSTEM PARTNERS



MAYER & CO
BESCHLÄGE GMBH
Alpenstraße 173
A-5020 Salzburg

Phone: +43 662 6196-0
E-mail: maco@maco.eu
www.maco.eu



Order No. 758500EN – Date: June 2016
All rights reserved and we reserve the right to make changes without prior notice.
Graphic source: MACO, fotolia.com

This print document is continuously revised
and the current version can be downloaded from www.maco.eu.