



THE MACO INNOVATION TOUR

EUROPE
2022/23

DRIVEN BY Instinct^o



TOUR BOOK

MACO Innovation Tour

20 countries – 80 stops

Welcome to the MACO Innovation Tour – from September 2022 to June 2023, we will visit 20 countries with an incredible 80 stops on the agenda. We will present you with our highlights where you can look forward to our products, services and systems. In short, the largest sample case in the industry!

This tour book accompanies you through your truck tour. It describes the sliding, window and door elements and shows the benefits that you and your customers have. Does that say it all? Probably not. That's why we are happy to be there for you personally.



Innovation Tour Fact Box

Tractor unit	Mercedes Actros L (476 hp, displacement: 12,809 cc)
Trailer unit	Mobile Showspace ("Most Space 3")
Total length	16.5 m
Exhibition area gross	65 m ²
Climate-neutral driving	CO ₂ compensation: € 2.47 / 100 km





Dear Guest,

Thank you for visiting us on the Innovation Tour. Here, we bring the power of the MACO Group to the streets – in the truest sense of the word. And in the luggage – our innovations, such as the INSTINCT fully electronic door lock.

Our products and services should benefit you. Do you want well thought-out and unique solutions? Easy and convenient to install? Thinking about the future and focusing on digitisation and networking? Want to deliver products with a smaller footprint to your customers? Enjoy services and get everything from a single source? Our products and services are your competitive edge, and we work hard every day to offer you even more.

We wish you a lot of excitement on the tour through our product world.

Sincerely,

Your MACO Group Team

»» The MACO Group – at a glance



1947

Start of our success story

15

Sales offices worldwide



6

Manufacturing plants

352 million

Annual turnover 2021



2,600

Employees

95 %

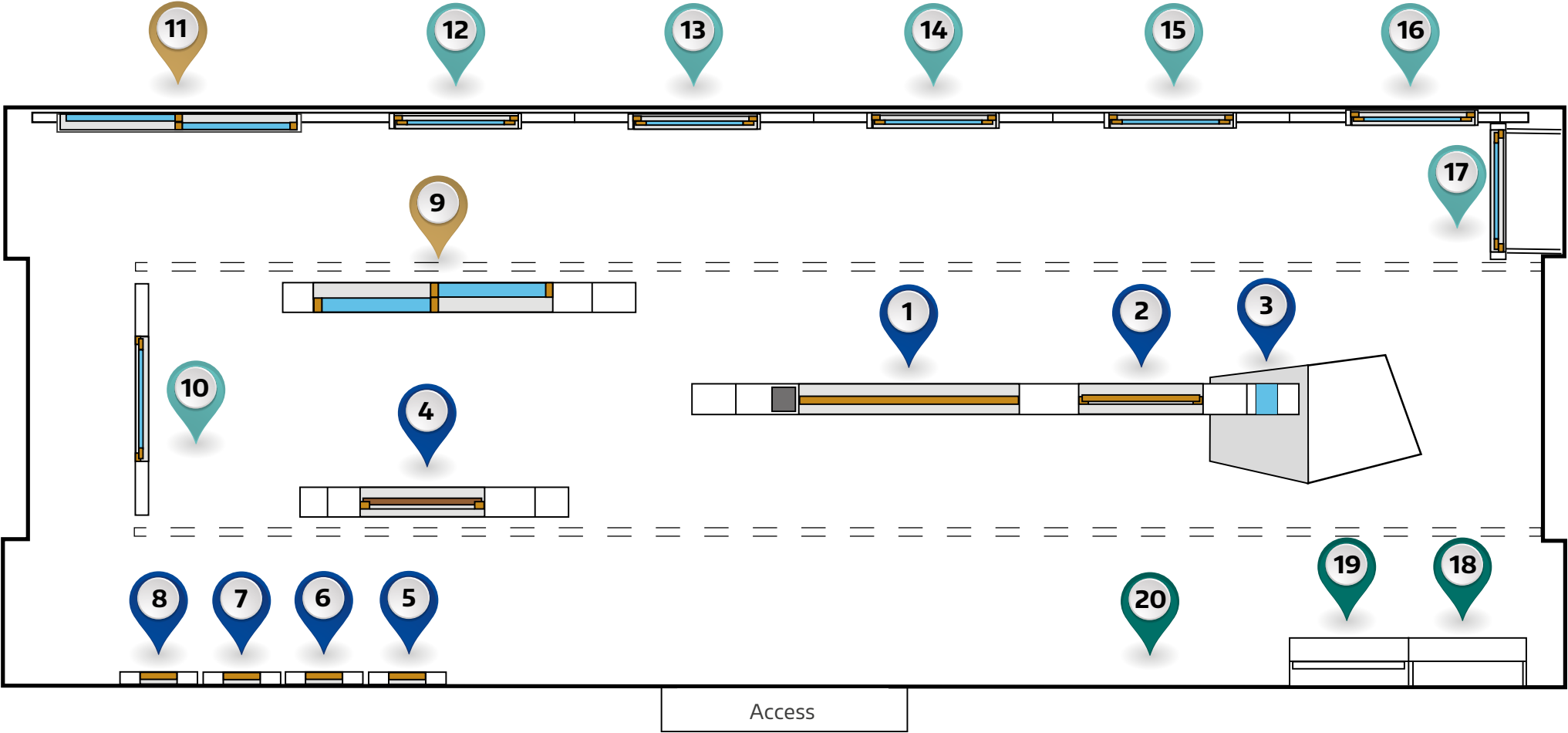
Own production share

96 %

Export rate

Truckplan

Element overview



- DOOR
- WINDOW
- SLIDING
- SAMPLES AND PANELS

1	INSTINCT by MACO	Fully electronic locking system	8
2	INSTINCT by MACO	Fully electronic locking system	10
3	INSTINCT by MACO	Fully electronic locking system	10
4	M-TS	The fastest motorised lock on the market	12
5	A-TS with motor	Automatic lock	14
6	Z-TF	Semi-automatic lock	16
7	Z-TS	Cylinder-operated lock	18
8	G-TS	Handle-operated lock	20
9	InfinityView	Revolutionary lift & slide door	22
10	Zero threshold system	Barrier-free access	24
11	Move	Easy-to-install sliding hardware	26

12	Primat FL 190	Manual skylight opener	28
13	Primat-S kompakt S 195 (24 V)	Automatic skylight opener	30
14	E-Hardware	Electro-mechanical window control	32
15	Multi Power clampable	Concealed hinge side for aluminium windows.....	34
16	Frame parts made of GRP	Prototype.....	36
17	Tornado	Pivot window hardware	38
18	Transit	Thresholds	40
19	Adapta	Drop down door seals	42
20	Silverlook-Evo & Tricoat-Evo	Innovative hardware surfaces.....	44
Other topics			
	Wireless sensors.....		46
	Service		48
	Sustainability.....		50

Reinventing Entrance Technology

Turning point in door history

What if you could lock and unlock a door in an unprecedented way? Our answer is called INSTINCT – the locking system that heralds a new era. Position the individual locking components flexibly in the door. Together, these form a fully electronic multi-point lock, which makes the locking cylinder superfluous and allows new design freedom. Hello to creative door design and a clean door leaf!

In addition, this modular system is a revolution for logistics as a door lock could not be leaner. And where does the name come from? From the human instinct. Just as it reacts rapidly to stimuli and protects us, INSTINCT protects our home and belongings from unauthorised access.



The unique Horsehead mechanism ensures high contact pressure.

instinct^o

by MACO



INSTINCT by MACO – the
revolutionary door locking system

Into the smart future

Start networking with us – with INSTINCT and more. Discover our “Smart Building Components”, which make your home safer, more comfortable and more energy-efficient. Operate sliding doors automatically? Lift & slide motor! Monitor the status of the window? Wireless sensor mTronic! A motorised door lock? M-TS! Talk to us, we will be happy to inform you about all the possibilities.

INSTINCT by MACO

Fully electronic locking system

Revolution in door design

With the INSTINCT by MACO locking system, you can build really impressive doors, where this innovative technology provides unique design possibilities. There are almost no limits to the door height, width and shape. The locking components can be installed not only in the sash, but also in the frame. Even an additional mounting on the upper sash edge is possible. All this allows particularly slim profile views and ensures a clean door front.

ELEMENT 1 DOOR



Innovative 2-sash timber door (honeycomb oak, semi-gloss lacquered back)

1

INSTINCT by MACO

Fully electronic locking system

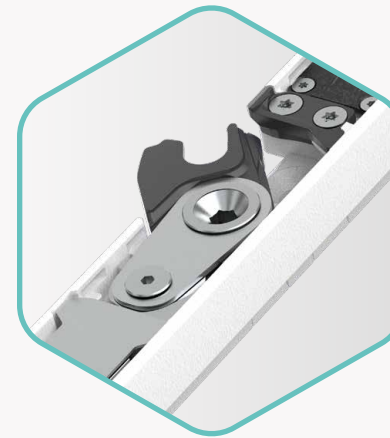
Fast & quiet

Special shapes possible

Flexible positioning & mounting

Integrated closure monitoring

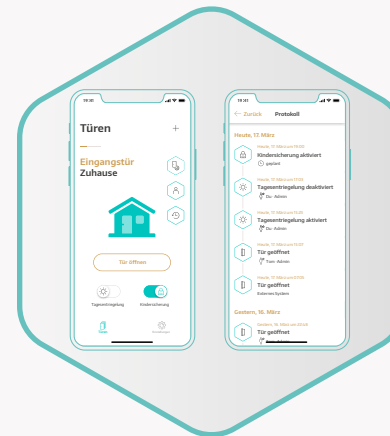
Transit Personal
Tailor-made threshold



INSTINCT by MACO – the lock with the horse's head

The INSTINCT by MACO fully electronic locking system is easy to process and highly secure. The Horsehead mechanism, the name comes from the locking element's horse head shape, uses the door mass when closing. This unique design thus ensures optimum

contact pressure and reliable locking. The door remains "glued" to the frame, the lock locks automatically and fits into the striker plate – quickly and quietly. The integrated closure monitoring also ensures further safety.



Mobile App – instead of a key

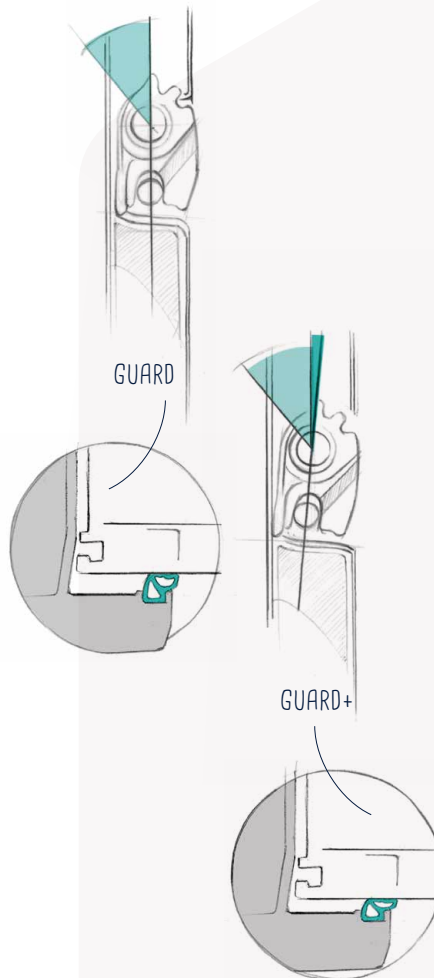
INSTINCT can be conveniently controlled via mobile App. The operation is child's play – from day release to child safety, covering who has access and when. Even one-off access can be granted on the go. Alternatively, opening by fingerprint, keypad or smart home system is possible.

INSTINCT by MACO

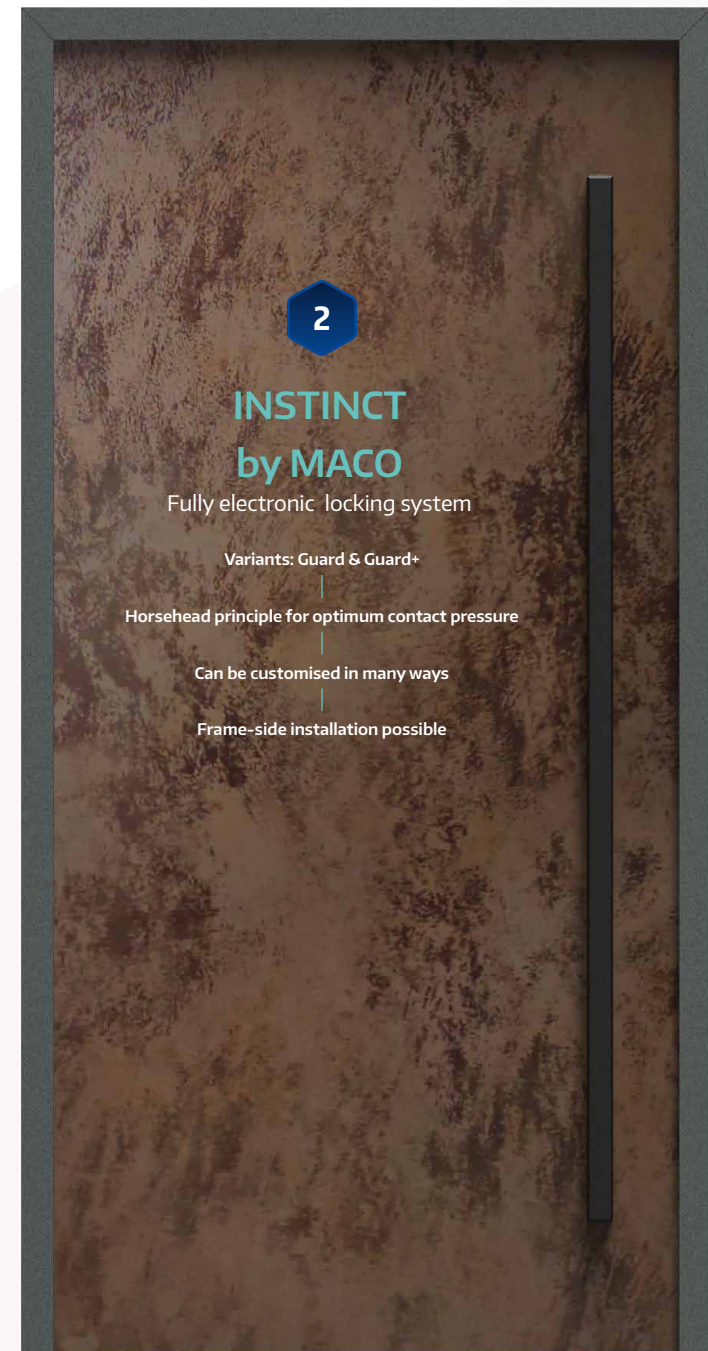
Fully electronic locking system

INSTINCT – two clever lock variants

The Horsehead mechanism locks mechanically and automatically as standard (Guard version). In the premium Guard+ version, the motor additionally pulls the door against the frame and thus ensures maximum contact pressure. These versions can be combined with each other as they are visually indistinguishable from each other.



ELEMENT 2
DOOR



2

INSTINCT by MACO

Fully electronic locking system

Variants: Guard & Guard+

Horsehead principle for optimum contact pressure

Can be customised in many ways

Frame-side installation possible

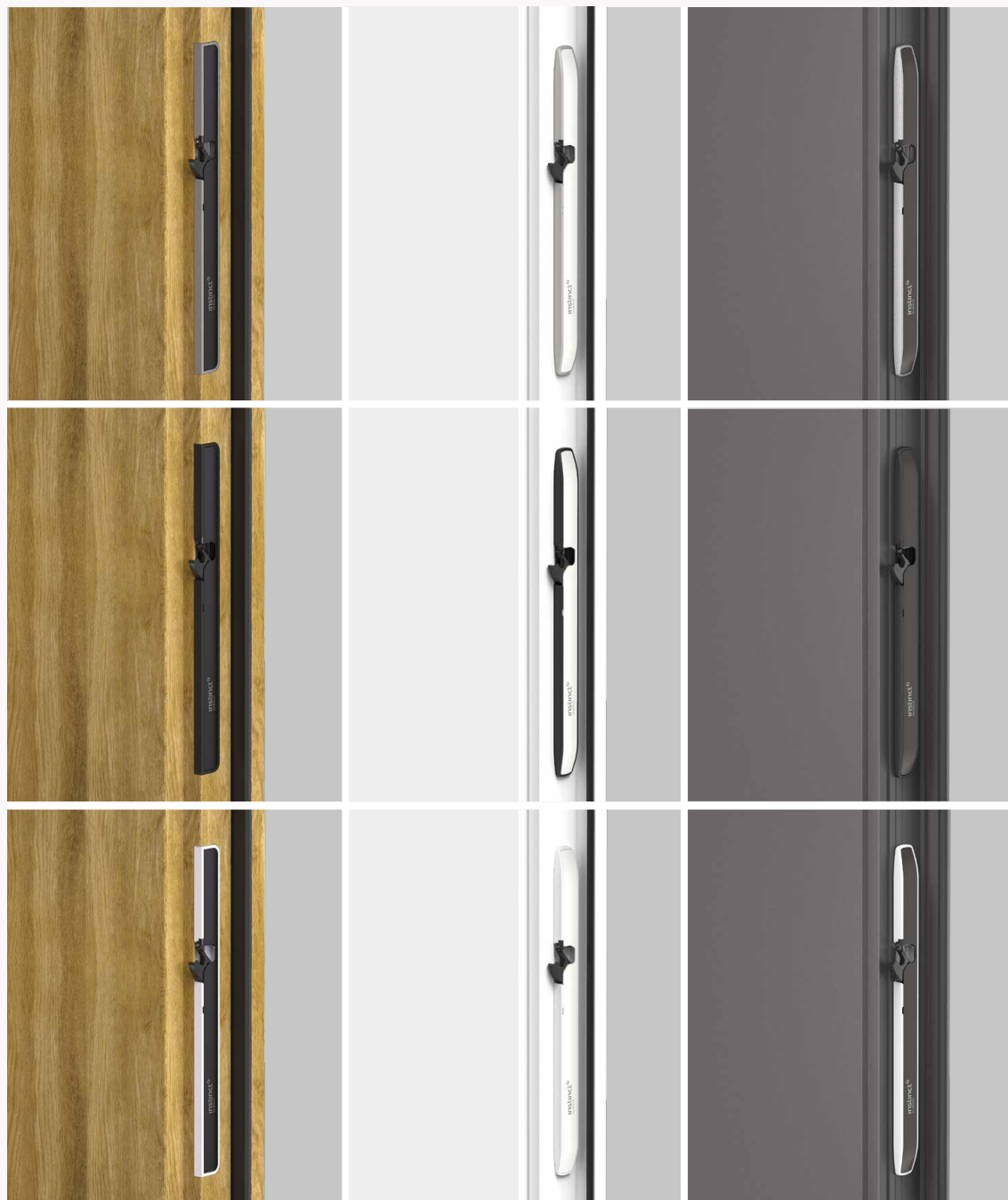
Aluminium door

INSTINCT by MACO

Fully electronic locking system

Design freedom? Show your true colours!

INSTINCT by MACO is available in various housing formats – for doors made of timber, PVC and aluminium. And the revolutionary lock also offers freedom in terms of colour. Should it be installed elegantly and almost invisibly? Or would you rather shine as an eye-catcher? The choice is yours.



Timber

PVC

Aluminium

ELEMENT 3
DOOR

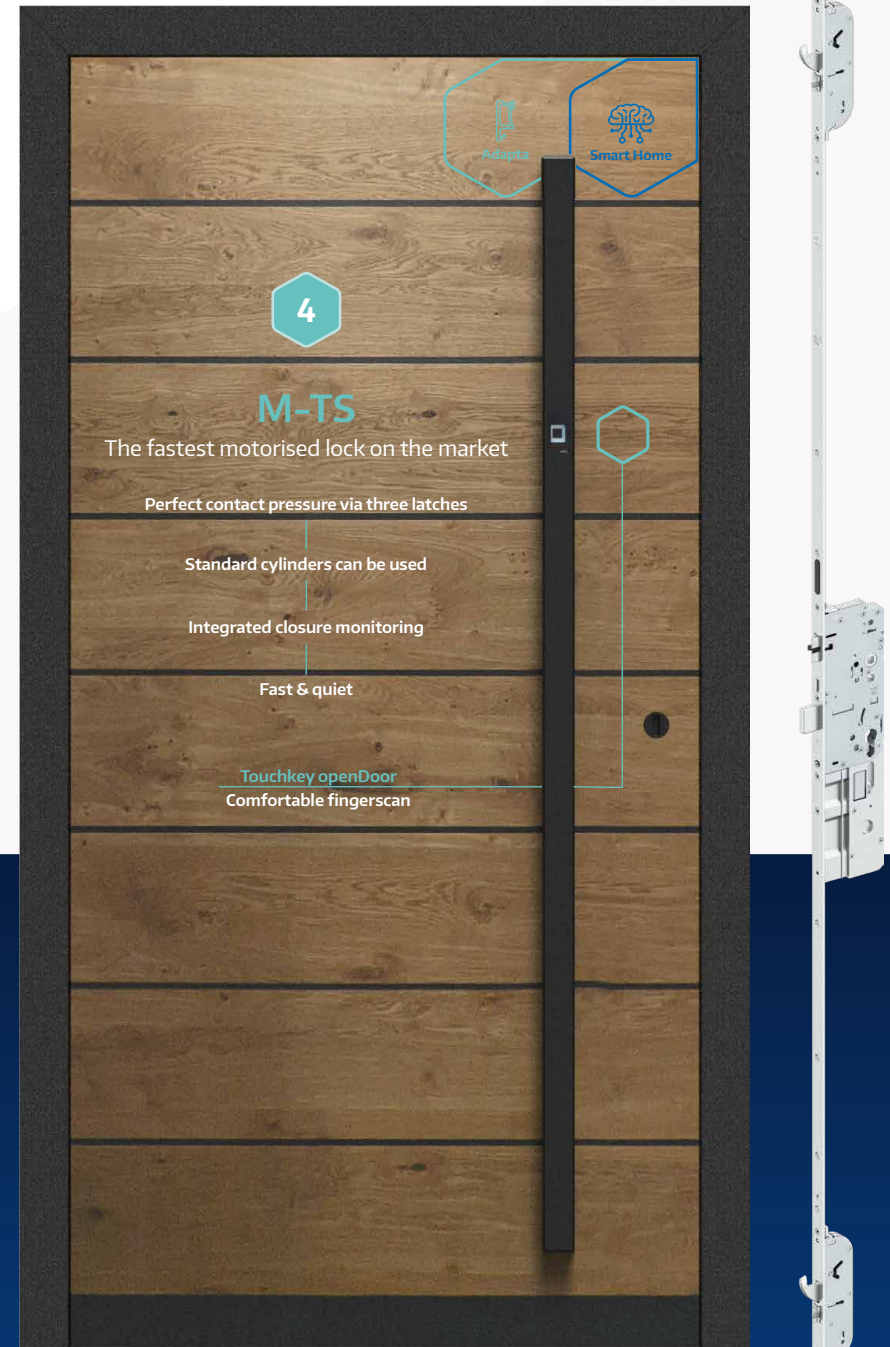
M-TS

The fastest motorised lock on the market

Ready for tomorrow today

The record holder – the M-TS motorised lock is the fastest motorised multi-point lock on the market. Set new front door standards with it and lay the foundation for modern operation. Doors can be controlled with access solutions such as fingerscan, day release or smartphone app. Of course, the M-TS can still be opened by key – with just one simple turn.

ELEMENT 4
DOOR



Timber-aluminium door



M-TS – it couldn't be more unique

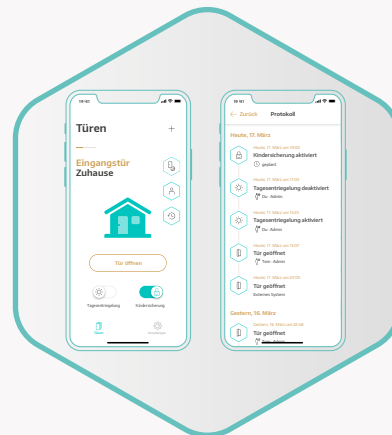
The innovative M-TS motorised lock is more comfortable, faster and quieter. Why? First, the proven 3-latch technology for high contact pressure is used – and only then the locking drive. The M-TS can also be easily integrated into smart home systems. For example, checking the status while on the go (“Did I close the door?”) is soon to be standard.

- › Very fast – opens in 0.3 seconds
- › Particularly quiet
- › Smart home-capable – closure monitoring included
- › Standard cylinder instead of freewheel cylinder can be used



openDoor – dream team with M-TS

Want to open the front, apartment or side entrance doors without a key? From fingerscan, Touchkey to keypad or transponder tag – the openDoor series, which harmonises perfectly with M-TS, offers a wide range of possibilities – conveniently and securely.



Mobile lifestyle for M-TS

Want to open the motorised lock via smartphone? The INSTINCT App (more on page 9) also harmonises with the M-TS and lives up to its name – intuitive and easy to use!

Did you know?

Marketing services



We offer you marketing documents, from product brochures to thematic brochures. And not forgetting our Technogramm magazine and the MACO Partner Portal web platform, through which you can subscribe to our newsletters.

A-TS with motor Automatic lock

Triple locking – without a key

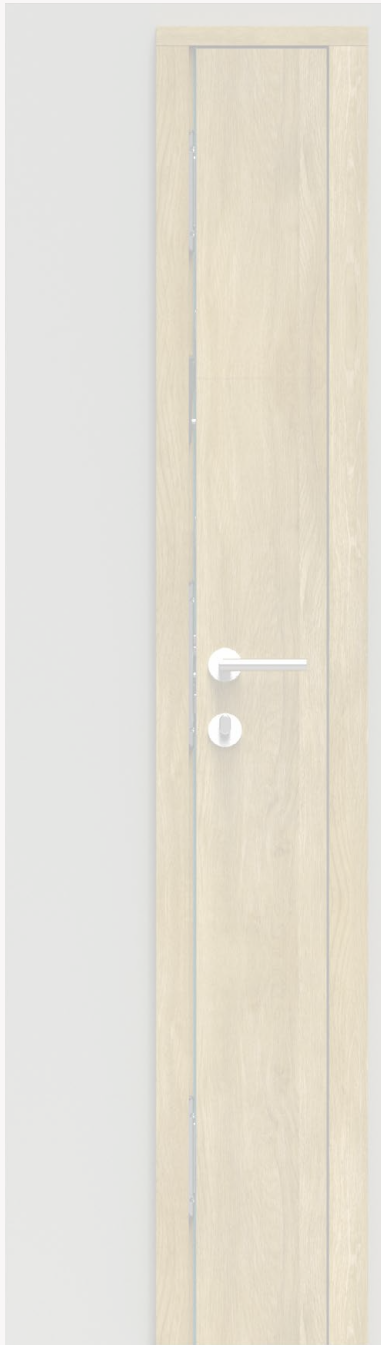
The A-TS automatic lock combines flawless closing with versatile opening variants. The 3-latch technology generates high contact pressure over the entire door height before locking. After that, two hooks and latches automatically extend – this is unique in the industry.

In addition, the A-TS enable comfortable access with or without motor. On request, the lock can also be integrated into a smart home system. The (retrofitable) motorised version ensures rapid unlocking and in case of power failure can be opened by key.

**ELEMENT 5
DOOR**



Functional sample



Convenient opening

By fingerscan, code entry or smartphone



3-latch technology

Controls the contact pressure separately from the lock

A-TS – please just pull!

Simply pull and it's automatically triple locked. This is possible with the A-TS automatic lock and without a key. This means no-one gets in, but everyone gets out. The door only needs to be closed so that children or pets cannot go walkabout – one turn of the key is enough. In addition, the A-TS shines with manual and motorised opening variants as well as with day release and door opening limiter as additional functions. And this can also be implemented on double-sash doors with the automatic lock.

- › Highest contact pressure via three latches
- › Deadbolt locks automatically
- › Convenient opening – via fingerscan, code entry or smartphone
- › Certified according to Class A of the Association of Non-Life Insurers (VdS)
- › VdS-compatible closure monitoring by means of latch switching contact

Z-TF

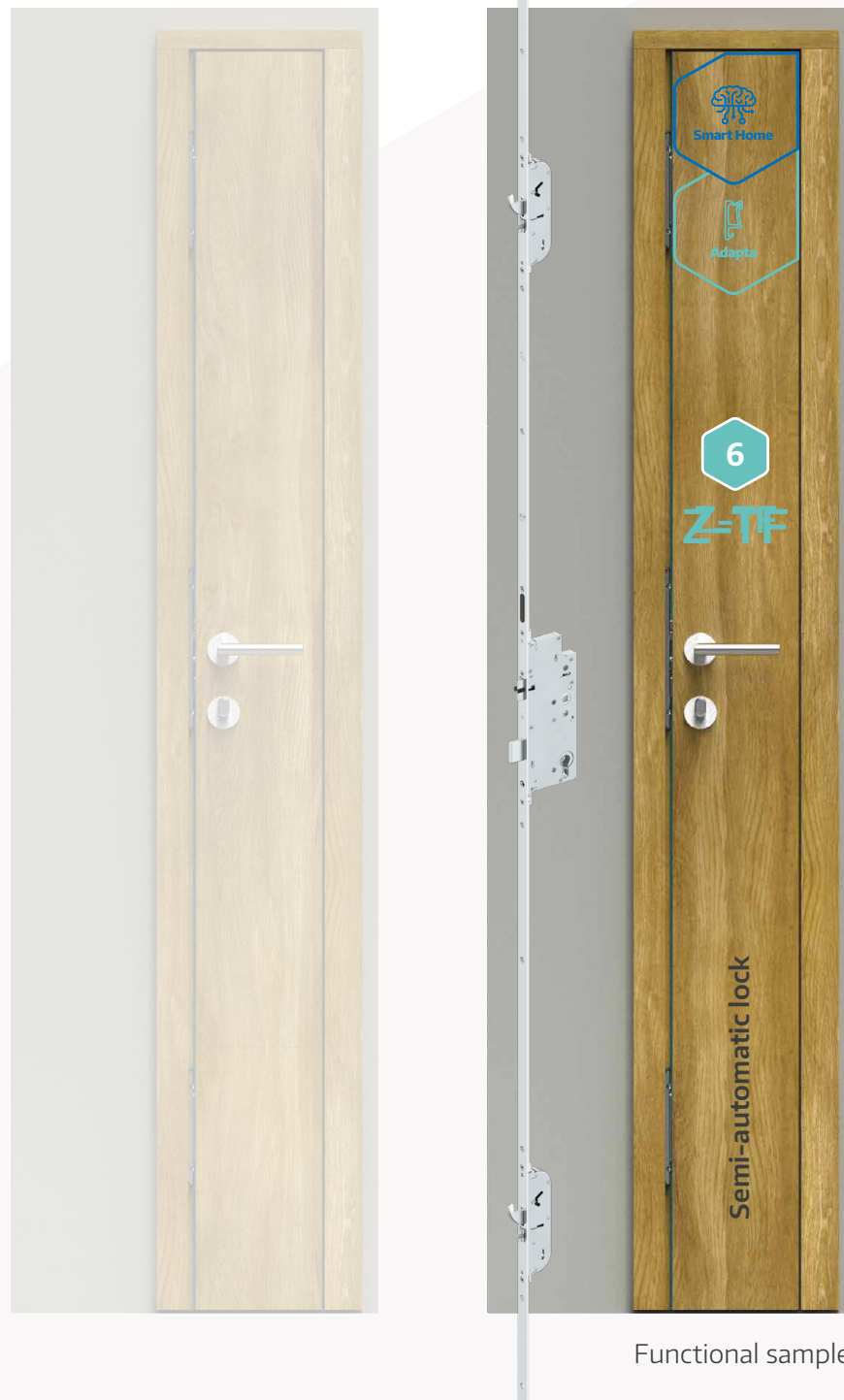
Semi-automatic lock

Update for a classic

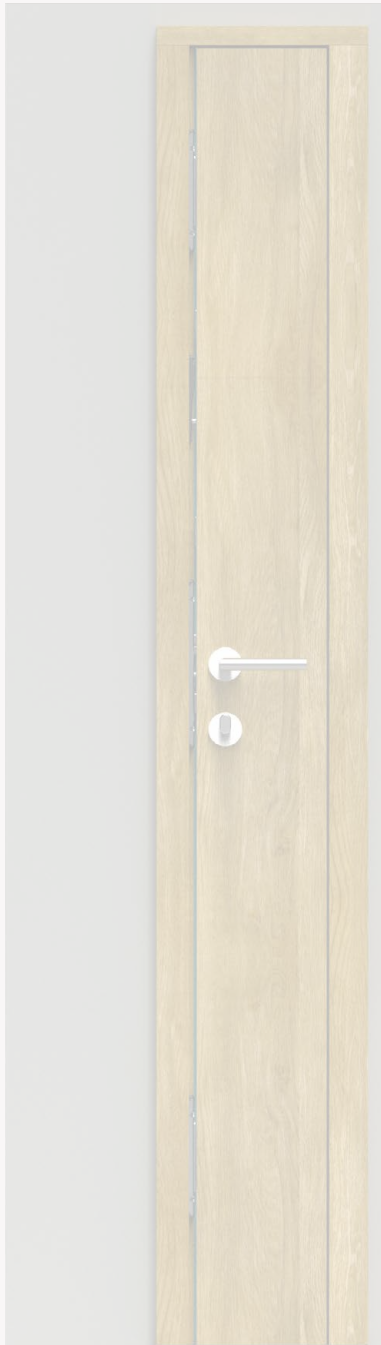
The Z-TF is the proven semi-automatic 3-latch lock, which has received an update with the “MF-HO” secondary lock. Three multifunction latches and two hooks extending upwards ensure smoothness, in combination with high security.

In addition, the Z-TF guarantees permanent tightness over the entire door height – heat remains inside, cold and noise outside. Not to forget the comfortable day release, which can be conveniently operated via a slider on the faceplate.

ELEMENT 6
DOOR



Functional sample



Easy day release

With only one E-opener instead of the previous three



Latch switching contact

For closure monitoring – integration into alarm systems and smart home systems

Z-TF – clever and practical

The semi-automatic Z-TF in the MF-HO version is based on the same clamping platform as the cylinder-operated premium locks A-TS and M-TS. This reduces complexity and makes your day-to-day work easier. Another advantage of the lock is the day release, which can be optionally retrofitted. And compatibility with E-openers has also been improved – only one is necessary, despite the 3-latch technology!

Z-TS

Cylinder-operated lock

Lightest drive lock on the market

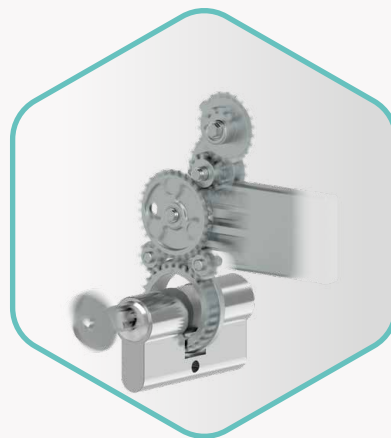
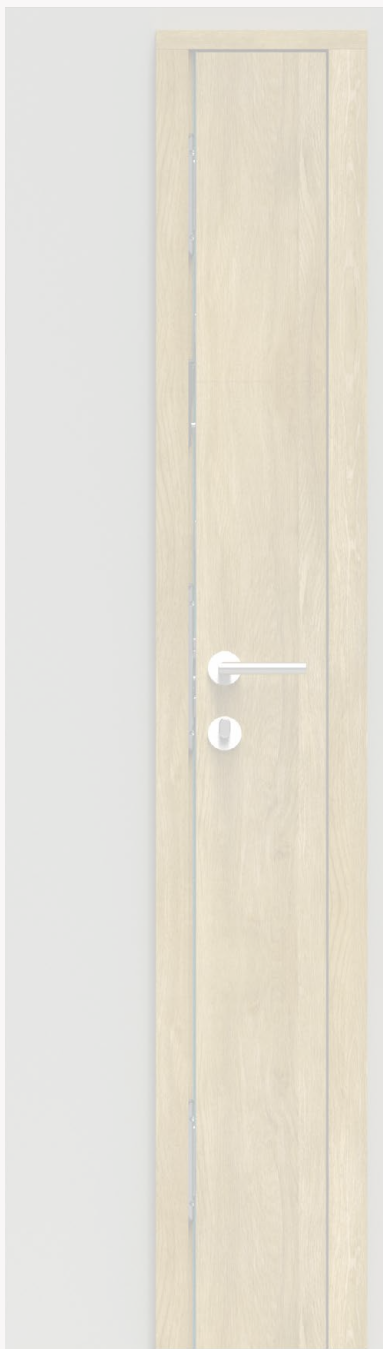
It couldn't be easier – the Z-TS runs like a Swiss clockwork. And the lock is just as secure as the drive gear and crank latch are smooth. It has a particularly high burglar-resistant effect thanks to the main lock box, and up to four secondary lock boxes with hook-bolt combination. And as a guarantee, this cylinder-operated lock was included in the manufacturer's directory of the German police for burglar-resistant products – as the first door lock!

ELEMENT 7
DOOR





Functional sample



Lightest drive gear –
but not easy to crack



mTronic – the all-rounder

The mTronic wireless sensor has all the elements in view – are they open, locked or (in the case of windows) tilted?

Z-TS – flexible from A to Z

What else can the Z-TS, just like the M-TS, A-TS and G-TS, do? It is not only secure, but also flexible. Hooks, bolts and security pins are possible in different configurations for locking. The cylinder-operated lock is part of the Protect modular system. Choose from a modular concept with which you can easily implement any door height (up to 3,100 mm). So, relax and respond easily to customer requests while keeping your warehouse small.

In addition, our platform with striker plates and strips as well as different locking versions makes production easier for you. And thanks to uniform milling dimensions, fixing patterns and drilling patterns, you can look forward to a simplified machine setting.

G-TS

Handle-operated lock

The G-TS – the bestseller

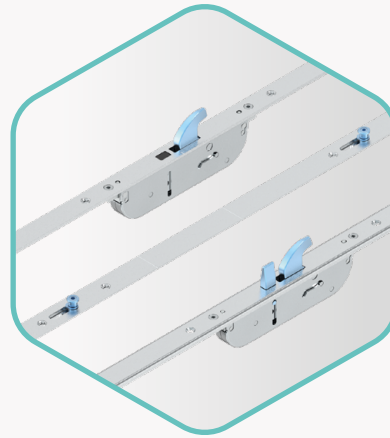
The G-TS is the bestseller among handle-operated locks. Like the Z-TS, it fulfils many individual wishes as a modular lock, with a high degree of standardisation. Hooks, bolts and security pins in different configurations are possible for locking. Thanks to differently combinable faceplate modules, you can also implement door heights of up to 3,100 mm. In addition, the G-TS shines with its smoothness.

**ELEMENT 8
DOOR**



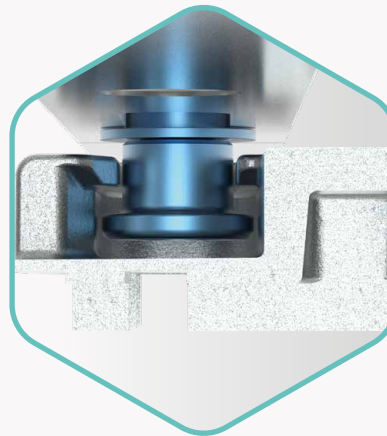


Functional sample



Locking variety

Hooks, bolts or security pins are possible in different configurations.

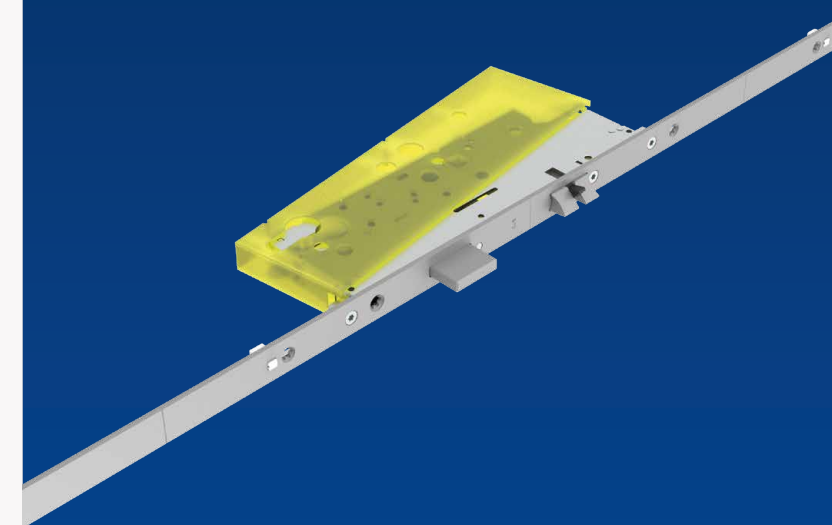


Four times the security

Four security pins ensure high contact pressure and security. Alternatively, the G-TS is also available in other versions.

Solution for highly corrosive environment

Does your door have to withstand wind and weather? Do you install acidic woods like Accoya? Our special solution for highly corrosive environments protects lock boxes, such as that of the handle-operated G-TS door lock. The corrosion protection covers ensure their function for many years.



InfinityView

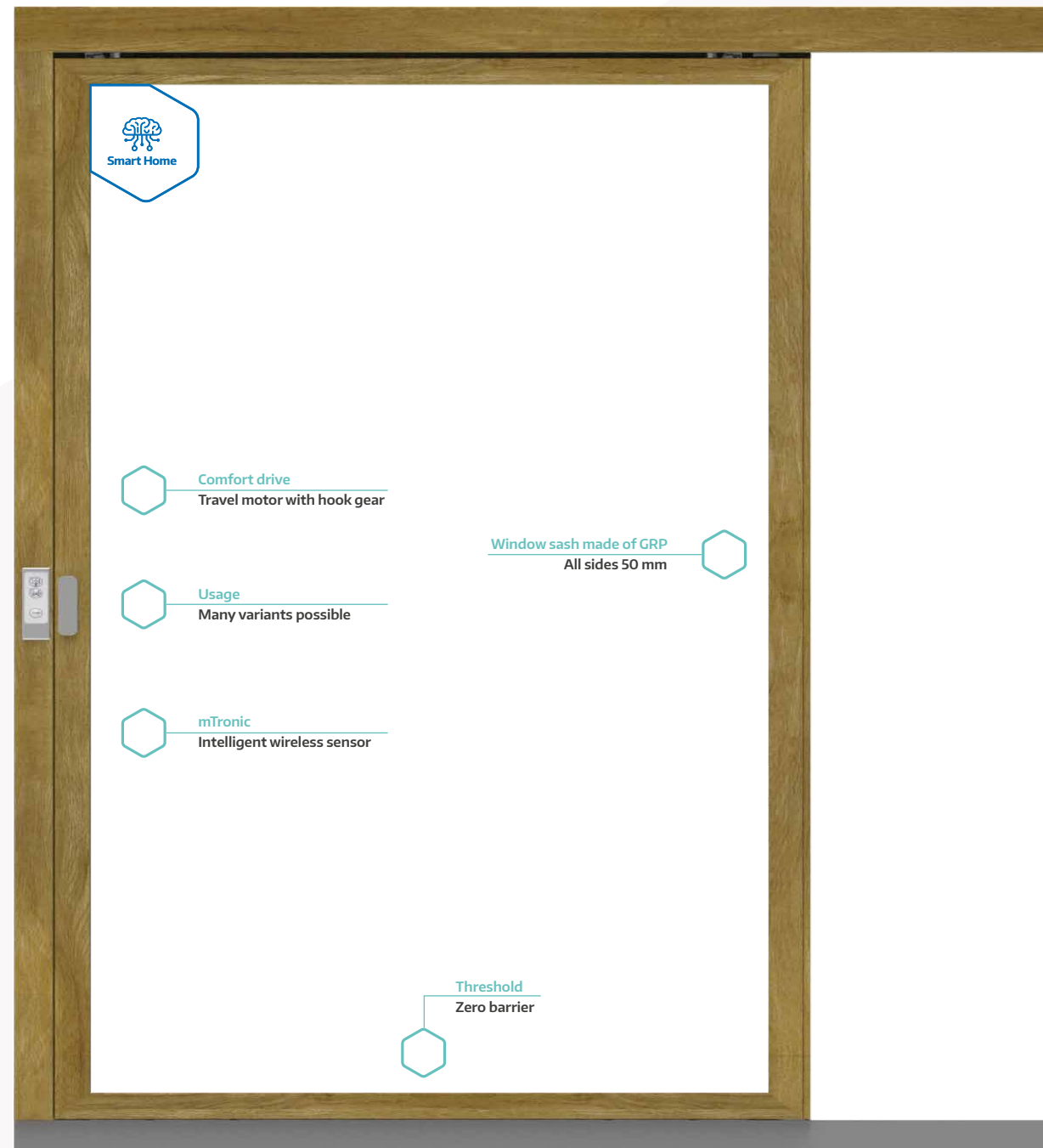
Revolutionary lift & slide door

Move your limits

The InfinityView modular system sets new limits. It enables you to achieve unprecedented minimalist design, even more light in the room and a view of the horizon – without limits. The sash frame, timber inside and aluminium outside, is only 50 mm wide and the glass-fibre-reinforced PVC wing core (GRP) ensures stability.

InfinityView, which is passive house-compatible, is available in the motorised and manual variants and can be implemented according to Resistance Class (RC) 2. The other advantages? The closed sash disappears into the frame on the drive gear side and also, the lift & slide system is 100% barrier-free.

ELEMENT 9 SLIDE



Lift & slide door scheme A motorised (timber inside, aluminum outside)

Comfort drive
Slide motor



9

InfinityView

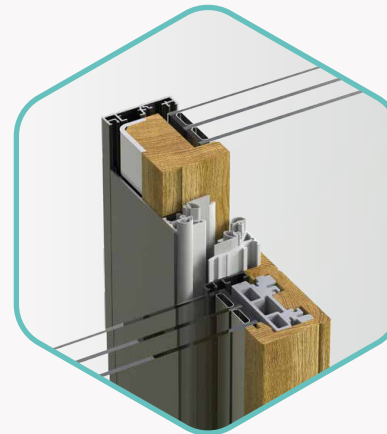
Revolutionary lift & slide door

Slimline sash sizes (50 mm)



Comfort drive – move at the push of a button

The Comfort drive slide motor ensures easy opening and closing at the push of a button. Operating options: 3 buttons, 1 button, key switch or smartphone app



Middle section – pure elegance

The view width? Only 60 mm. Statics and tightness are ensured not only by the GRP sash frame, but also by the steel bracket that runs through it.



Threshold – zero barrier!

The threshold ensures absolute zero-barrier accessibility. The height of the threshold is zero millimetres and that makes it much better than the norm.

Zero threshold system

Barrier-free access

Accessibility without any ifs and buts

A floor-flush threshold for front doors and balcony doors? 100% flat? This is made possible by the innovative zero threshold system from MACO – for timber and timber-aluminium. The Transit zero barrier threshold, Multi Zero hook closure and door seal allow “free access” – from toy car to wheelchair.

The silicone lower seal also keeps wind and water out. And the Multi-Zero double hook provides Resistance Class (RC) 2 and enables the sought-after turn & tilt function.

ELEMENT 10
WINDOW



Timber-aluminium balcony door



Multi Zero – the sophisticated double hook

The Multi Zero hook closure is the partner for the zero threshold system – its function is thought out down to the last detail.



Drop down door seal – so that water stays outside

Barrier-free – and highly rain-proof. This is the drop down door seal for the zero threshold system. The patented closure system fits for 1- or 2-sash front doors and balcony doors.



mTronic – the all-rounder

The networkable mTronic wireless sensor monitors windows, doors and sliding elements. It offers 24/7 status monitoring (open, locked and, in the case of windows, also tilted) as well as intelligent intrusion detection.



The Transit zero barrier threshold can be found under element 18 (see page 40).

It couldn't be more level – the zero threshold system

Move

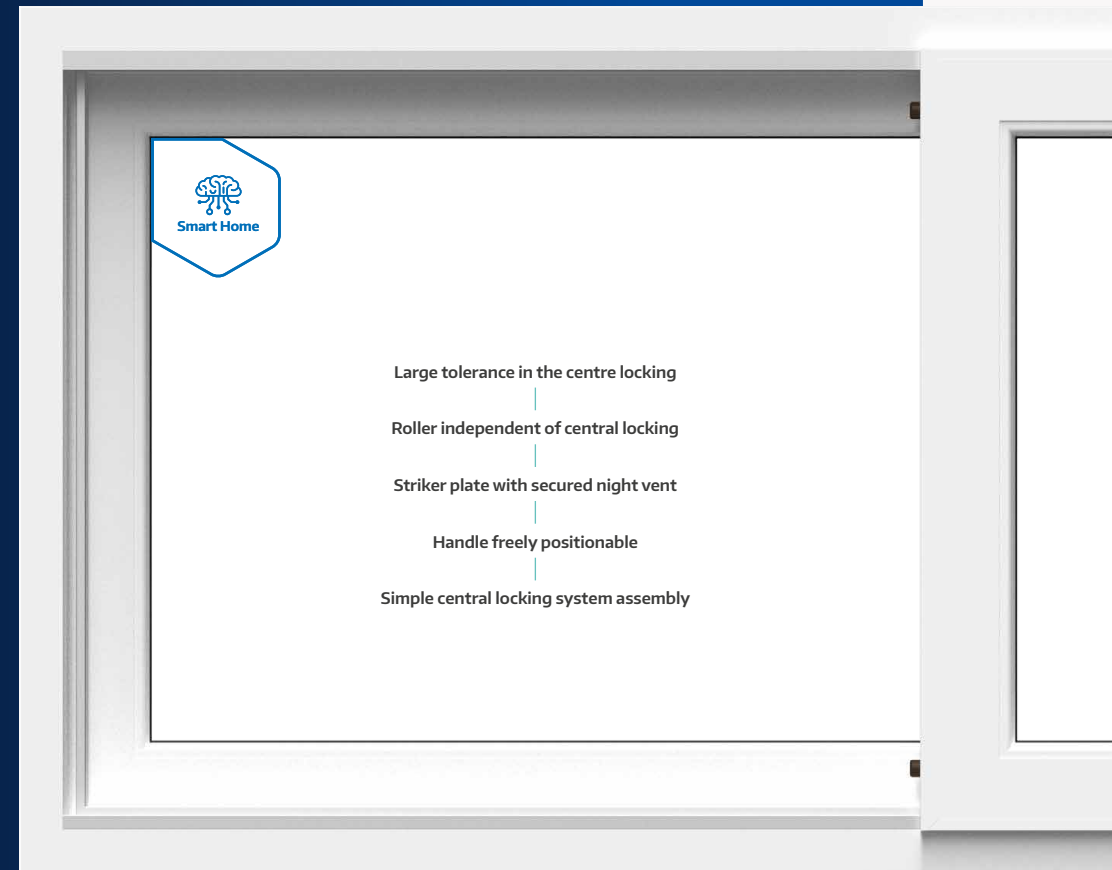
Easy-to-install sliding hardware

Move – simply convincing

Drilling, inserting, screwing in – the Move slide hardware can be mounted very easily with standard tools. In addition, its huge tolerance and the interaction with the Multi-Matic turn & tilt hardware are convincing. Any other benefits? The free choice of handle position and the possibility to build special formats, such as skylight windows.

Move also allows the implementation of inexpensive sliding elements that are ideally suited for series production. Your customers also benefit from a sliding door with very good sealing and parallel positioning. The low effort required and the simple operation make Move a solution for the whole family.

ELEMENT 11
SLIDE



PVC skylight window

- Large tolerance in the centre locking
- Roller independent of central locking
- Striker plate with secured night vent
- Handle freely positionable
- Simple central locking system assembly



Striker plate – secure ventilation

The clampable Move striker plate allows for secure night ventilation.



11

Move

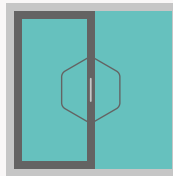
Easy-to-install sliding hardware



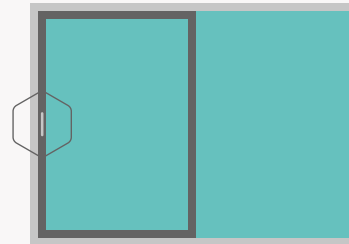
Centre lock – offers design freedom

Implement special formats thanks to the flexible design of the centre lock. Ideal when the wall space is restricted!

Windows



Balcony doors



Skylights



Sublight windows



Handle – pure freedom

The handle position is possible on all four sides. Incorrect operation is thereby excluded.



Rollers – very smooth

The smooth-running roller is independent of the centre lock.



Centre lock – outstandingly tolerant

The centre lock boasts huge tolerance (+/- 5 mm).

Primat FL 190

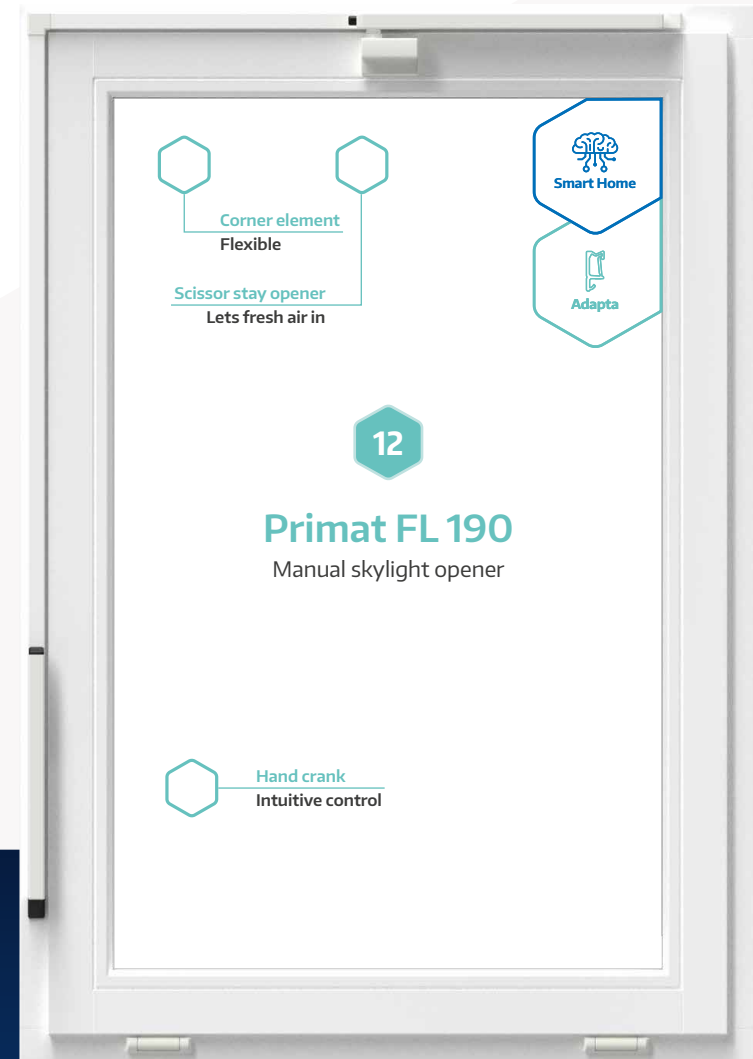
Manual skylight opener

Ventilation for public buildings

Well-being through natural daylight. Secure ventilation because the window sits high up. Skylight windows are not only the right choice for schools, hotels and hospitals.

With the Primat FL 190 skylight opener (190 mm opening width; single, double or triple scissor stays) skylight windows can be conveniently controlled manually. This clever system, for rectangular, inclined and round-arched windows, opens, closes and secures windows made of timber, aluminium and PVC. The optional activation of the centre lock ensures increased sealing closure and burglary prevention.

ELEMENT 12 WINDOW (AUTOMATION)



Tilting window made of timber



Opener scissor stays – the heart

The opener scissor stays are easy to assemble. They are ideally suited for retrofitting as well as for many types of windows.



Corner element – flexible through and through

The flexible corner element can be used in a variety of ways.



Hand lever – convenient control

For intuitive opening and closing. Available in various versions, also as a crank handle.



Did you know?

Digital service

With us, you are in good hands when it comes to data. We offer you automated interfaces, intelligent configuration programs, an online catalogue and much more.

Primat-S kompakt S 195 (24 V) Automatic skylight opener

Automatically compact and quiet

The automatic skylight opener Primat-S kompakt S 195 (24 V) is the “little brother” of the Primat-E kompakt E 195 (230 V). Both are super quiet when opening and closing and harmonise with many profiles – even slim ones. They are available in one or two pieces and can be used with level and sloping windows.

In addition, these clever automatic solutions offer different speeds and delight with simple retrofitting. The optional actuation of the centre lock also ensures increased sealing and burglary resistance. The skylight openers fit all materials and boast smart operation – for example via the HAUTAU App.

ELEMENT 13
WINDOW (AUTOMATION)

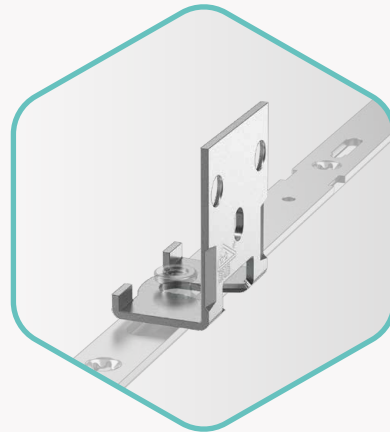


Tilting window made of PVC



Skylight drive – hello, fresh air

The 24-volt skylight drive allows natural ventilation – in with the fresh air, out with the smoke.



Clutch bracket – more security

The connection to the centre lock provides more burglary protection and tightness. This functions via the optional clutch bracket.



eTronic – open or locked?

The clever eTronic wireless sensor detects whether a window is open or locked. It unfolds its full power in combination with a smart home system.



Did you know?

Product service

Do you need support with assembly? Or individual production to the desired size – for example with the lift & slide threshold? Then contact us and our Product Service Team will gladly help you.

E-Hardware

Electro-mechanical window control

Convenient accessibility

The E-hardware creates living comfort through electro-mechanical window control. This clever system solution combines automated tilting (opening and closing) with manual operation. With this solution, for example, hard-to-reach windows can be conveniently tilted via a button – for real accessibility!

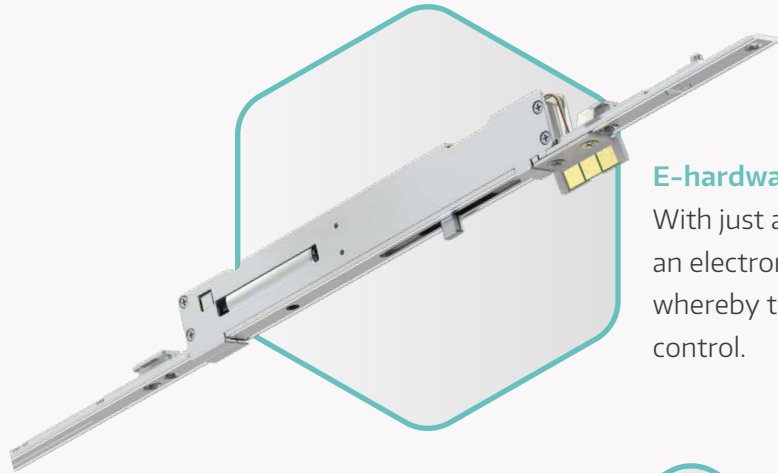
Another big plus is that the E-hardware is installed invisibly on the underside of the sash, in the Eurogroove. This leaves the window visually untouched. Integrated into a smart home system, the intelligent hardware also controls the ventilation, for example, by reacting to rain.

ELEMENT 14

WINDOW (AUTOMATION)

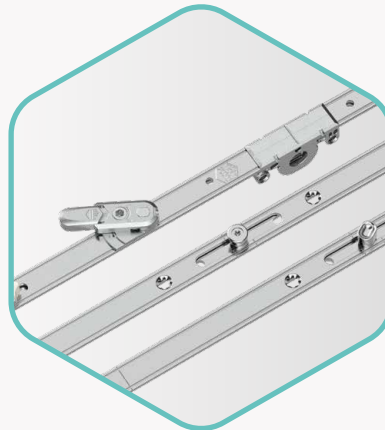


Tilt & turn window made of timber-aluminium



E-hardware – clever window operation

With just a few components, a classic Multi-Matic window becomes an electromechanical one. The E-hardware ensures ease of use, whereby the window can still be alternatively accessible by hand control.



Multi-Matic – the all-rounder

Multi-Matic is the versatile window hardware line from MACO. From simple turn & tilt windows to high-security windows, tilt & turn windows to barrier-free balcony doors.



eTronic – very smart

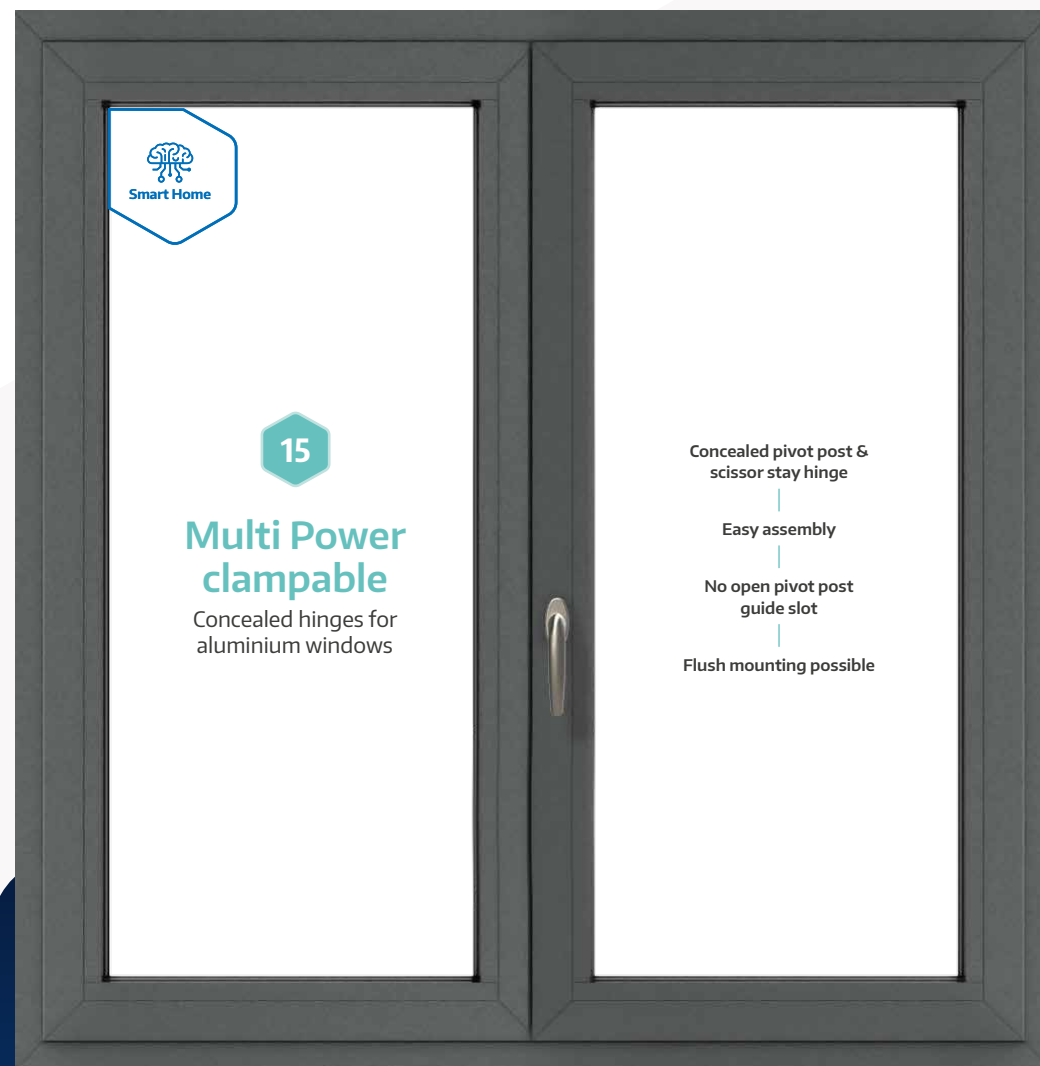
eTronic is the intelligent wireless sensor. It detects the key window states – is the window open or locked? It then forwards this information to the smart home system. A cost-effective and functional solution!

Multi Power clampable Concealed hinges for aluminium windows

Beauty across the board

Looking for aesthetic aluminium windows? Then, the Multi Power hinge side (pivot post and scissor stays) is the right choice. No hardware is visible when the window is closed. If you also opt for the clampable version for aluminium, you can do the assembly in no time at all with no profile processing necessary. And all this with the proven functionality and security. Nice, isn't it?

**ELEMENT 15
WINDOW**



2-sash aluminium window

Multi Power – powerful and concealed

With the concealed Multi Power hinge side, suitable for timber, PVC and aluminium, you can implement real design windows. From security windows to balcony doors. In addition, this hardware solution handles massive weights, where even 3-sash windows are child's play with Multi Power. And super-slim window frames? Realise these easily with the concealed hinge side, too.



Multi Power
clampable for
aluminium

Multi Power windows are



Aesthetic



Easy to clean



Strong



Maintenance free



Flush mounted

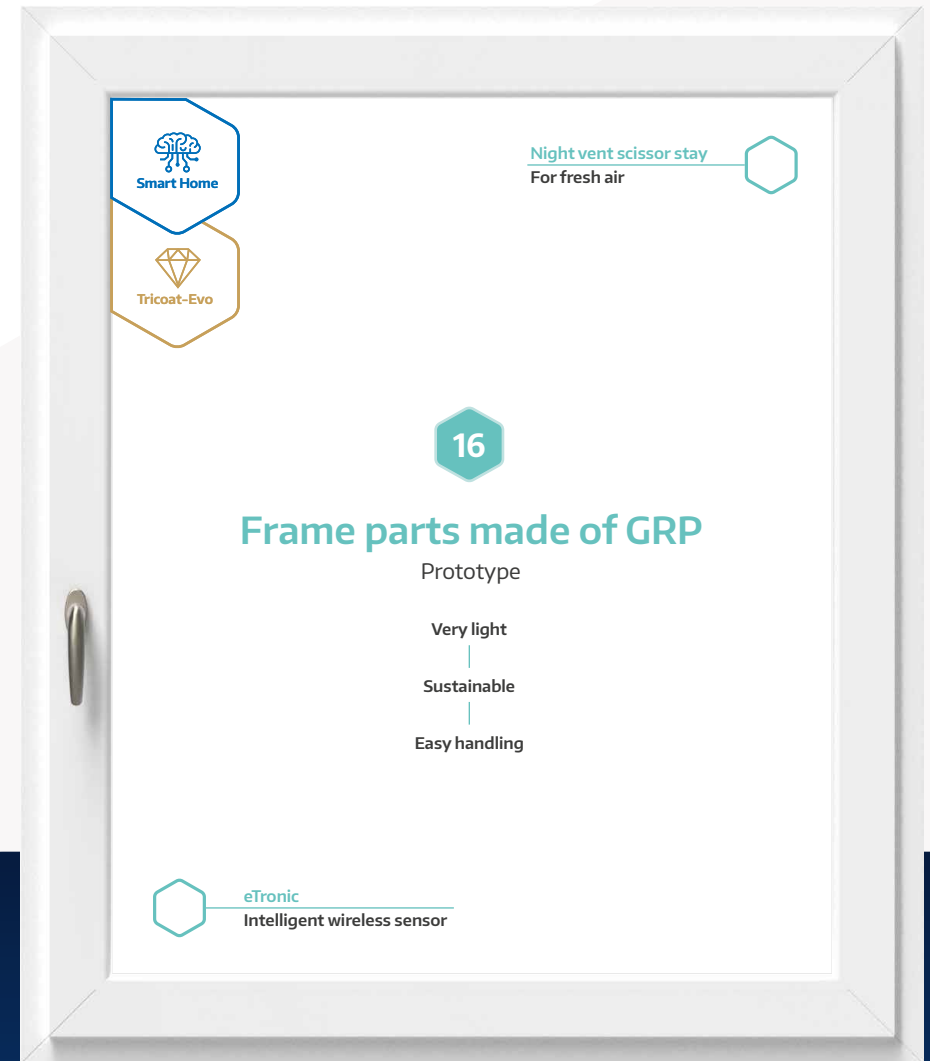
Frame parts made of GRP

Prototype

The new path

What if a sustainable high-tech material from the aircraft industry and wind turbine construction could revolutionise PVC windows? We are exploring this question with our frame parts made of glass-fibre-reinforced plastic (GRP). They shine with numerous outstanding advantages – from sustainability to practical handling.

ELEMENT 16
WINDOW



PVC window with concealed hinge side (Multi Power)

GRP frame parts – convincingly lightweight

Frame parts made of glass fibre reinforced plastic have the potential to revolutionise the world of hardware. The low energy consumption ensures more efficient production, and allows you to sell a window with a lower CO₂ footprint. The low weight also brings advantages in handling, storage and transport. Also, the stable frame parts can be elegantly integrated into white PVC windows and impress with their longevity. The lower coefficient of friction also makes handle operation child's play.



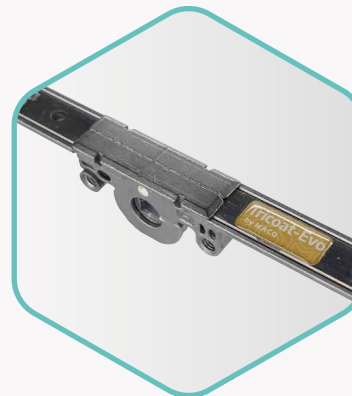
Night vent scissor stay – for fresh air

Night ventilation via scissor stays for less heat loss and no drafts compared to classic tilting ensure a better room climate. And the rain stays outside.



eTronic – the control talent

Open or locked? The intelligent eTronic wireless sensor detects the essential window states.



Tricoat-Evo – the premium surface

Central locking with Tricoat-Evo. This premium solution is a revolutionary, globally unique surface for the highest demands. More on pages 44 and 45.

Tornado

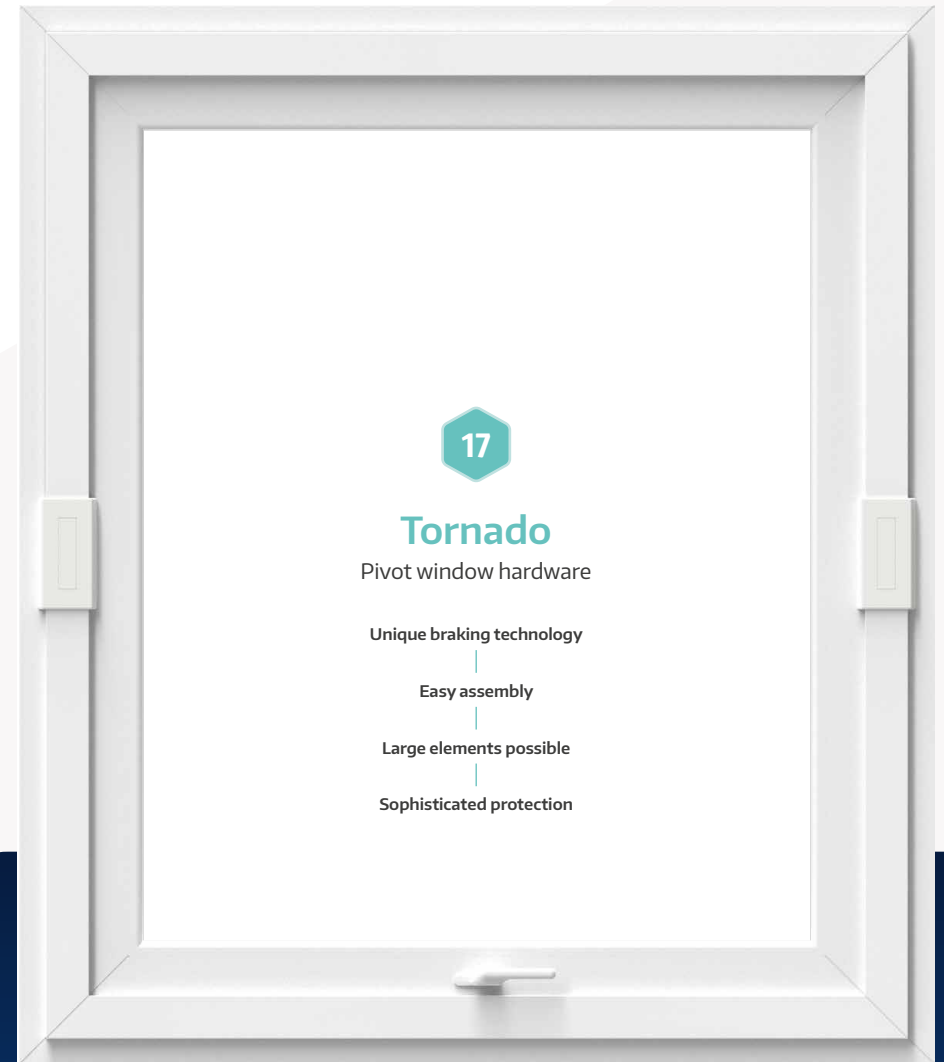
Pivot window hardware

Sweeping benefits

Looking for something a bit more? Pivot windows offer a greater air exchange than tilting windows. If they are open, they are less in the room – so they provide more space. And even with window giants (up to 5 m²), the easy-to-clean pivot window is a good choice.

And what about the maintenance? It's hardly required because the windows are always balanced, and sinking is therefore impossible. Not to mention security – a burglary is more difficult because the pivot window for this must be pulled outwards from the outside.

ELEMENT 17
WINDOW



Pivot window made of PVC



Tornado – excellent pivot bearing

Optimum tightness and unique braking technology – the Tornado pivot window hardware has it all under control. It holds sashes up to 200 kg in weight and ensures their easy operation.

Sophisticated protection systems protect against unauthorised opening and closing, whether out of childlike curiosity or criminal intent.

Tornado is therefore well-thought out down to the last detail. This pleases not only you, but also your customers as they appreciate the creative architectural possibilities of a pivot window.

What Tornado can do

- › Sophisticated hardware system
- › Unique braking technology
- › Easy assembly
 - › Energy-saving and tight
 - › Protection against unauthorised opening

Did you know? Standards service



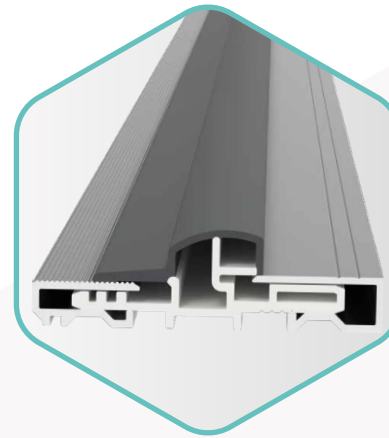
Our standard service offers you tests, consultations and licenses on the major standard topics of burglary resistance and CE certification. With us you are in good standards hands.

Transit Thresholds

The “add-on” for a door

Want a threshold that perfectly complements your door? The MACO Transit threshold combines high insulation performance with comfort and attractive design. And by the way, it eliminates problems that arise in energy-efficient building such as condensation and mould. Transit is available in two versions – “Transit Extendable” and “Transit Personal”.

ELEMENT 18
THRESHOLD SAMPLE



Transit threshold
Extendable



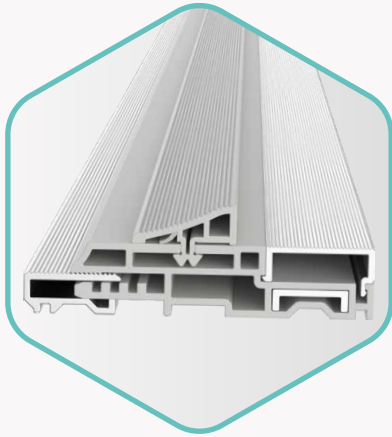
Zero barrier floor threshold
Transit

Transit Extendable – practical and beautiful

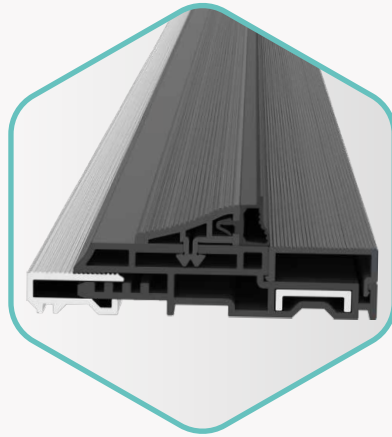
Adjust the threshold “Transit Extendable” to any timber or timber-aluminium system. It meets the highest technical requirements and with its high flexibility, it meets your needs for personalisation, design and quality.

Benefits

- › High tightness – even against wind and driving rain
- › Easy assembly
- › Burglar resistance up to Resistance Class (RC) 3
- › Good thermal separation
- › Attractive
- › No grooves where dirt can accumulate
- › ... and more



Transit Personal threshold
for sash seal



Transit Personal threshold
for frame seal

Transit Personal – the “Haute Couture” floor threshold

A threshold made to measure? Yes, when it is called “Transit Personal”. This is the only threshold that adapts to the geometry of your profile and the structural condition. Suitable for front and balcony doors made of timber or timber-aluminium, whether with sash or frame seal. In addition to the threshold itself, we can also personalise the frame compensating pieces for you. And all this without large investments on your part.

Benefits

- › Tailor-made solution
- › High tightness – even against wind and driving rain
- › Compatible with Multi Power hardware
- › Easy assembly
- › Burglar resistance up to Resistance Class (RC) 2
- › Good thermal separation
- › Attractive
- › No grooves where dirt can accumulate
- › ... and more



Additional version:
Threshold Transit Personal with
concealed hinge side Multi Power

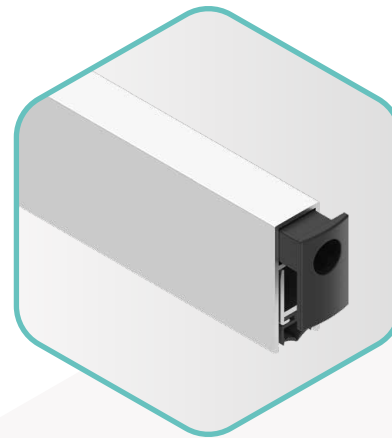
Adapta

Drop down door seals

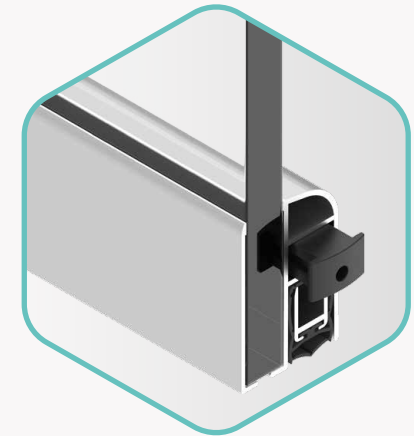
Stays tight – even in the long run

Looking for a long-term reliable partner? The high-quality bottom door seals from the Adapta series seal the gap between the floor and the door. This energy-efficient lifting-lowering system stops thermal bridges, noise and smells.

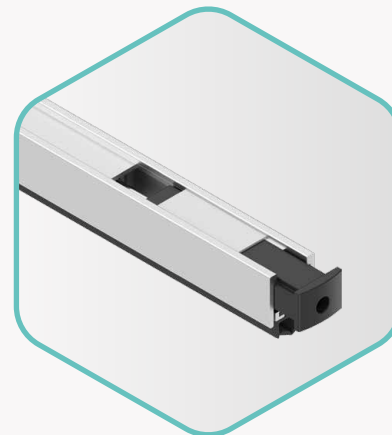
ELEMENT 19
DROP DOWN DOOR SEAL SAMPLE



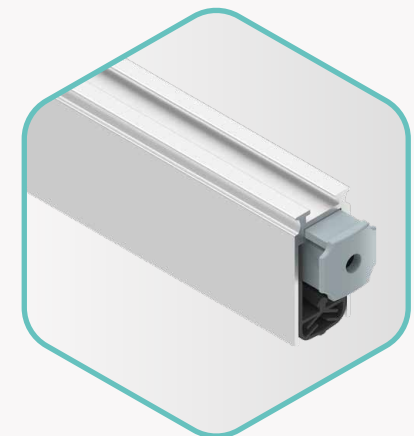
Self-regulating
drop down door seal



Drop down door seal glass



Drop down door seal mini



Drop down door seal
sound insulation 54 dB



Adapta drop down door seal – protection across the board

Drop down door seals seal the annoying gap between the door leaf and the floor. They protect against air, wind and noise and keep dust and insects away when the door is closed. A real gain in comfort! With us you will find four different models with different characteristics – for every application:

- › **Variant mini** – can be used in the groove due to the small cross-section
- › **Variant self-regulating** – optimal sealing due to the self-regulating level compensation; can be used in the groove
- › **Variant glass** – change of the release side possible regardless of the glass thickness
- › **Variant sound insulation 54 dB** – protects against sound up to 54 decibels (certified)

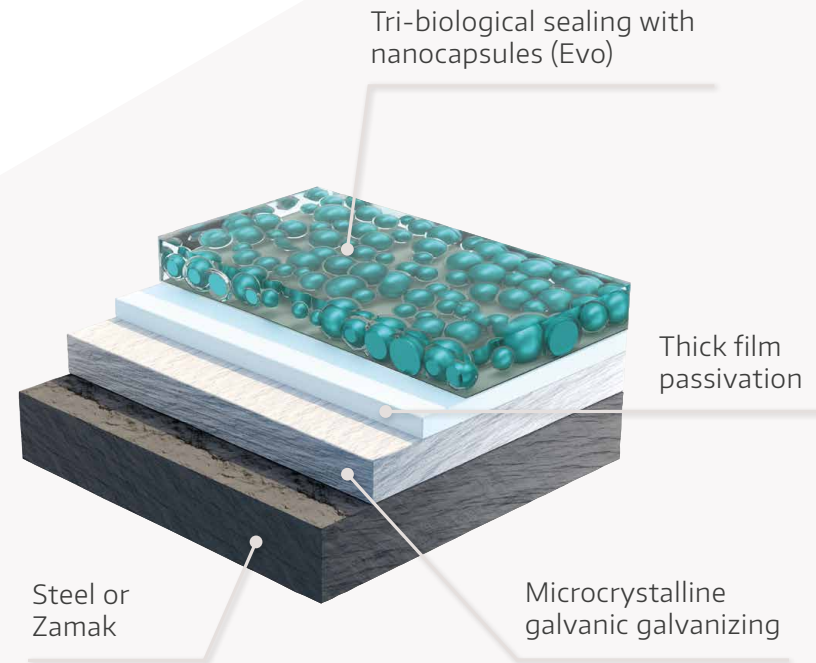
Also ask us about our other Adapta seals. We will gladly inform you on everything from usage to material.

Silverlook-Evo & Tricoat-Evo

Innovative hardware surface

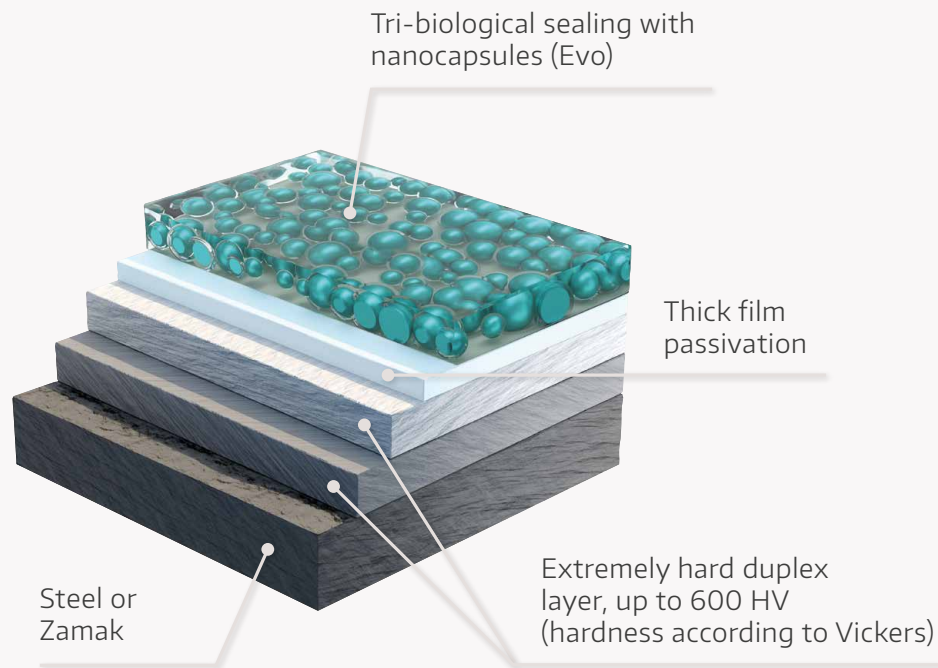
A surface – with self-healing power

A surface that heals itself. This is the unique MACO Evo effect where nanocapsules act as storage for lubricants and corrosion-inhibiting substances. If the surface is damaged, the substances contained in the capsules leak out and fill the scratches. And even before rust can develop.



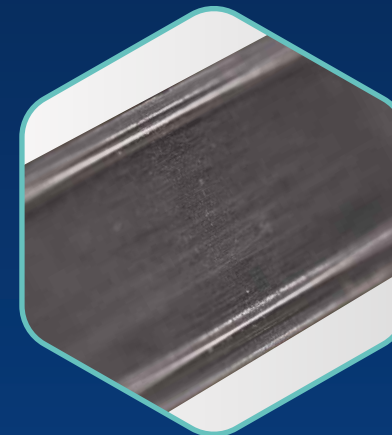
Silverlook-Evo – uniquely good as standard

Silverlook-Evo is a galvanic process for high demands, with the MACO Evo effect included. In addition, Silverlook-Evo boasts extra corrosion resistance, good sliding properties and durability. The innovative coating has the same look as the previous silver-look surface.

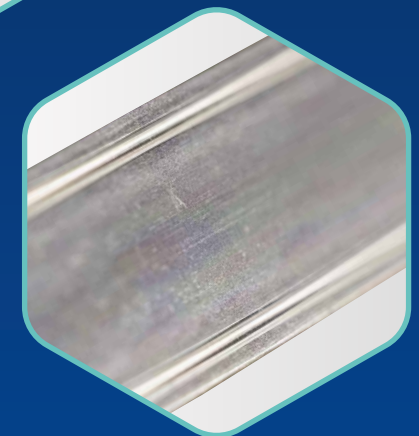


Tricoat-Evo – the premium surface for extreme demands

Tricoat-Evo is a revolutionary, outstandingly high-quality electroplating process for demanding environments and the highest needs. The premium surface impresses with the MACO Evo effect, extraordinary corrosion resistance, smoothness and extreme robustness. In addition, it shines with a high-quality, stainless steel look.



Tricoat-Evo



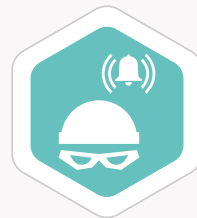
Silverlook-Evo

mTronic & eTronic Wireless sensors

Smart in a smart home

Living in an intelligent home – this is no longer music of the future. The smart home makes it possible for components to think actively today. The mTronic and eTronic wireless sensors easily integrate windows, doors and sliding elements into a smart home system. The advantages are more safety, control, living comfort and energy efficiency. In short – an investment that pays off.

The wireless sensors mTronic and eTronic can be found installed in many exhibition elements.



mTronic – one who can do everything

The wireless and networkable mTronic wireless sensor interacts with windows, doors and sliding elements. It offers status monitoring (open, closed/locked and, in the case of windows, also tilted) as well as intelligent burglary detection. And it can do even more embedded in a smart home system.

Thieves around?

Burglary detection on the window – mTronic detects with the position of the locking pin whether it has been deliberately moved or if the sash is lifted by force. This is totally unique.



eTronic – focus on the essentials

The intelligent eTronic wireless sensor detects the essential window states – is the window open or locked? It forwards this information to the smart home system and is a cost-effective and functional solution. eTronic is suitable for retrofitting and can be used in a variety of ways.

Security over many years

The innovative closure monitoring of the eTronic and its long battery life ensures a peaceful sleep over many years.

Vigilant throughout the whole house

Should home security and comfort be particularly comprehensive, but the costs still remain manageable? Then, it is advisable to combine the MACO wireless sensors with each other. mTronic for windows and doors on the ground floor that are at risk of burglary, eTronic as a supplement – for example on the upper floor or for smaller ventilation windows.



○ Possible mounting positions mTronic

● Mounting position eTronic



Service

Everything from a single source

Thought in the system

Looking for a real system provider? Benefit from our products, which are perfectly matched to each other – from the hardware to the threshold to the seal. And this system concept comes complete with our comprehensive range of services. We offer you innovative solutions that make your everyday work easier – both digital and analogue. Because we don't just want to be your supplier, we want to be your partner. Contact us and we will be happy to inform you in detail about all the possibilities.

Our services complement our products and systems.



Standards service – normatively in good hands

Burglar resistance and CE certification – we offer you a testing service, consulting and licensing on the basis of our system tests (“cascading”). Also in the test service portfolio – we check the connection of our hardware to your profile system. You profit from our many years of experience.



Digital service – data in good hands

Digital data service from A to Z. Benefit, for example, from intelligent software for hardware configuration and our online catalogue. Not to forget our ordering platform and much more. The future is digital, and we are already working on that today.



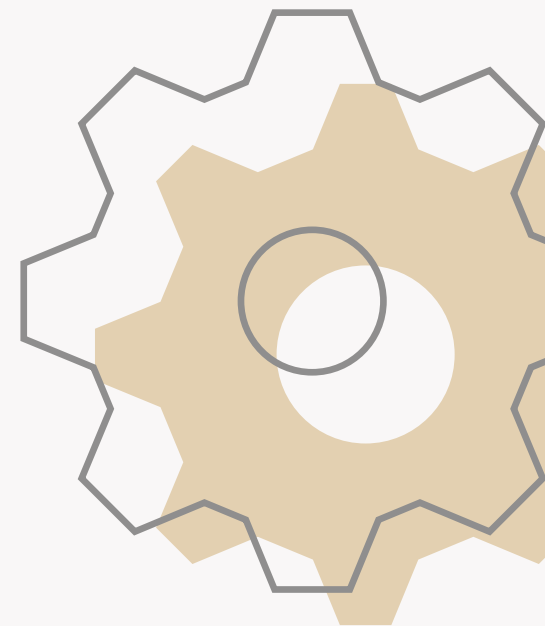
Product service – convenient daily work

When it comes to assembly support and packaging, our product service provides you with comprehensive support. Take advantage of our portfolio of gauges, tools and machines. And look forward to assembly-ready lift & slide thresholds cut to your desired size.



Marketing service – informs all down the line

We also support you in terms of marketing, where we offer you documents from product brochures to thematic brochures. Find out about news in our Technogramm magazine and use our online platform MACO Partner Portal, where you can subscribe to our newsletter.



„Creating Tomorrow“

MACO sustainability initiatives

As a family business, sustainability has always been a concern of ours. We understand this comprehensively – economically, ecologically and socially. Creating Tomorrow!

Our values – our promises



Climate change – our ecological commitment

The ecological footprint of the construction industry is huge. As a construction supplier, we recognised early on that our actions and our products can contribute to environmental protection. We deal intensively with decarbonisation, circular economy and materials health.

Our highlights

10 %

CO₂ savings thanks to reusable packaging

19 %

less waste per article produced

6,5 %

less packaging per revenue ton

Sustainable growth – our economic stability

We are aware that companies that react sustainably to changes have a strong competitive advantage. That is why we are constantly rethinking our structures, trying to identify risks at an early stage and seize opportunities.

Our highlights

- › Transformation project rolled out company-wide
- › Raising awareness of cybercrime
- › Corona challenge successfully managed

Making people fit for the future – our social commitment

We offer our employees development opportunities and invest in training and further education. In addition, we focus on diversity and measures for occupational safety and health protection.

Our highlights

32 %

female apprentices

almost 50 %

of apprentice starters
are female

46 %

Fewer workplace
accidents

More about our
sustainability initiatives
in our future report:



www.maco.eu



Want to know more?

Get in touch with us.

We look forward to helping you.

**Our products and services.
Your competitive edge.**

Always there live ...

#macoinnovationtour

