



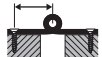
TECHNOLOGY IN MOTION

MACO RUSTICO

SHUTTER HARDWARE



CATALOGUE

	Installation on timber		Packer thickness
	Part number		Total length of fixing bolts
	Packing unit	W	Overall component width
	Reveal depth	L	Overall component length
	Discharge		Shutter distance through striker pin bracket
	Hinge crank		Shutter thickness
	Long sash-hinge total length		Crank opener overall length
	Pin distance (see Section 1.5!)		Length of crank arm
	Minimum pin depth (see Section 1.5!)		Offset
	Pin length		Distance between the shutters
	Shutter pin holder height		Frame clearance
	Shutter pin holder width		Number of slat supports
	Rawlplug total length		Distance
	Shutter pin socket diameter		Hinge size
	Locking hook height		Rebate size
	Distance to wall		Lining thickness
	Screw distance		Insulation thickness
	Screw distance to middle hinge Prima		
	Screw distance to middle hinge Prima		

BLR = Hardware range for frame installation

MMV = Hardware range in steel for wall/wall cladding

MV = Hardware range in Zamak for wall cladding installation

PAD = "Padovana" hardware range

Pcs. = Quantity

var. = variable



Dear MACO customer,

You are holding our new order catalogue in your hands. Our main aim was to present our product range in a simple and easy-to-understand manner in order to provide you with a practical working document. In addition to this catalogue, our package leaflet and assembly instructions will help you to process and install our products correctly. These are available to download from www.maco.eu.

Our products help to ensure that windows, doors and large-scale elements offer optimum function and security. As a premium manufacturer, that carries out its business according to the highest standards, the optimum quality and functionality of our hardware is our top priority. While we guarantee the best possible product characteristics for our hardware components, the responsibility for professional installation and correct fixing lies in your hands.

We want to support you, as a dealer or fabricator, with your responsibility for the safety of your products. Our binding assembly instructions and package leaflets provide information about the general use and processing of our hardware. To ensure the best fabrication and attachment of the hardware components – to suit the relevant installation situation, such as strength and profile design of the timber, arrangement of chambers and reinforcement in PVC profiles, etc., you can have elements tested and evaluated at our certified test centre: an air permeability and driving rain test as well as a pull-out test will help you to meet CE marking requirements. This means that you can rest assured that you are meeting all the standards and directives applicable to you.

You can find information about how to properly store our hardware components in the VHBH guideline of the Quality Assurance Association: Locks and Hardware (www.fvsb.de) or section Information on storage and transport of hardware components.

Important for dealers: MACO supplies its products with the corresponding number of package leaflets. As a dealer, you are responsible for enclosing the correct number of package leaflets with the products sold by you. Also, please ensure that you make your customers aware of the relevant binding instructions and legal aspects of the document.

We also provide you with operation and maintenance instructions for end users for you to pass on to your customers. These can also be downloaded from the MACO website (www.maco.eu).

We offer an option in our extranet (extranet.maco.eu) with our online catalogue, which, in addition to highly up-to-date information, also offers the advantage of extensive additional technical information for all components. You can obtain access details from your contact partner in field sales.

All of our printed documentation is continuously revised and expanded. Please make sure that you are working with our most current documentation. All of our documentation is available for download from www.maco.eu. We hope that the catalogue will prove to be a valuable tool for your daily work. We wish you every success and hope to see you online soon.

Please fill in completely




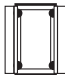



We confirm receipt and approvingly acknowledge its contents.	
Stamp: 	_____ Please print your name in capital letters
Date: _____	Signature: _____

MACO sales manager: _____

MACO
RUSTICO





1	General and technical information	<i>i</i>	7
2	Frame installation		29
3	Wall cladding installation		67
4	Masonry installation		85
5	Padovana / Vicentina installation		103
6	Accessories for folding shutters		107
7	Shutter locks		115
8	Shutter catches		137
9	Accessories	+	149
10	Directory		

MACO
RUSTICO





1 General and technical information

1.1	How to use the catalogue	8
1.2	Information on product safety and product liability	9
1.3	Wind resistance	12
1.4	Shutter catches and buffer stops	15
1.5	Screw fixing and pin depth	16
1.6	Application diagrams	18
1.6.1	Instructions for determining permissible shutter sizes	18
1.6.2	BLR application diagrams, 25mm wide shutter pin holder	20
1.6.3	BLR application diagrams, 35mm wide shutter pin holder	21
1.6.4	Instructions for masonry installation	22
1.6.5	MMV application diagrams	23
1.6.6	Instructions for Ø16 masonry pins	24
1.6.7	MMV application diagrams, Ø16 thread	25
1.6.8	PAD table	26
1.7	Surface finish RUSTICO PREMIUM-PLUS	27
1.8	Certificates and guarantees	28
1.9	General terms and conditions	28



1 General and technical information

1.1 How to use the catalogue

If not otherwise specified, all dimensions are stated in millimetres and packing units in items per box.

Drawings and diagrams are not to scale.

The content of this document is constantly being updated, so regular comparison is necessary.

No liabilities are accepted for possible printing errors, mistakes or changes.

The current version is downloadable from our website (www.maco.eu).

Please send comments or suggestions about our catalogues by email to feedback@maco.eu.

1.2 Information on product safety and product liability

1.2.1 Shutter hardware for window and casement door shutters

In accordance with the manufacturer's liability for his products defined in the Product Liability Act (PHG in Austria, ProdHaftG in Germany, PrHG in Switzerland, Codice del Consumo in Italy), the following information on shutter hardware for window and casement door shutters must be heeded. Non-compliance shall release MACO from this liability.

1.2.2 Product information and proper use

"Shutter hardware" is deemed to be hardware for windows and casement door shutters (hereinafter referred to as "shutters") in building construction.

Shutter hardware are used on vertically installed shutters made of timber, PVC or aluminium and their corresponding material combinations, whereby the professional installation of the shutters can be carried out directly on the frame, directly on the wall or on an assembly frame.

Shutter hardware as a whole can be divided into three main groups and their function considered independently:

- Shutter pins, shutter hinges, shutter pin holders: These are used to close and open the shutter (installed on frame or wall).
- Shutter locks: These are used to hold and secure the shutters in a closed position.
- Shutter catches: These are used to hold and secure the shutters in an open position.

Differing applications do not correspond to their proper use. **Fixing** the sash prevents the shutter from moving in the wind. **Securing** the sash prevents the shutter from moving during a storm. In the case of wind and draught, they must be able to hold the shutters both in the closed and in the open positions. This is achieved by using the appropriate hardware components (locking mechanisms, shutter catches etc.).

1.2.3 Misuse of shutters

The following cases, in particular, shall be deemed misuse of the shutter hardware - i.e. utilisation for purposes other than their specified proper use:

- If obstacles are inserted in the opening area, thereby preventing proper use of the product.
- If shutters are pressed against the wall or windows and doors improperly or in an uncontrolled manner (by wind, for example) causing them to become damaged or destroyed.
- If additional loads, (e.g.: dead weight of people and items) act upon shutters, for example: attaching clothes lines, etc.
- If while closing or opening the shutters, someone reaches between the respective motion stop positions (frame and shutter edge) for example (RISK OF INJURY!).
- In the case of absence or in case of a storm, the shutters are to be secured.

1.2.4 Principles and limitations of MACO's liability

The relevant entire hardware set may only consist of MACO hardware components. In the case of non factory-approved combinations by and/or inappropriately assembled hardware, and/or the use of non-original and/or non factory-approved accessory components, no liability will be accepted from MACO.

All shutter hardware for windows and casement doors must be inspected and serviced systematically by certified professionals to ensure their functional integrity and safety. This maintenance must be carried out - verifiably and documented - in accordance with our maintenance documentation: otherwise, no liability can be accepted.

Our processing specifications in the product catalogues, installation instructions/information and leaflets are legally binding and must be heeded without restriction; otherwise, no liability can be accepted for the safety and/or durability of the hardware.

Where timber, PVC, light-metal or steel profiles are used, the specifications of the profile manufacturer and/or system owner must be observed.

MACO delivers top quality, reliable components and supplies the assembler with instructions for use. MACO only provides detailed specifications for processing in special cases. In these cases, MACO also provides a guarantee for a functioning solution.

1.2.5 Product performance

The fundamental principle for the safety and suitability of use of shutters equipped with MACO shutter components is compliance with all guidelines supplied to the user by MACO. These documents are being updated and the current version is downloadable from our website www.maco.eu. Failure to adhere to these guidelines can result in the damage listed under "Misuse of shutters", including the risk of serious injury to persons and considerable damage to property.

If such guidelines are missing for a specific requested application requested, the user shall be obliged to test the suitability of the parts used for this type of application, or arrange to have them tested.

1.2.6 Maximum sash weights and sash sizes

The shutter weights and maximum shutter sizes specified in this catalogue and in the assembly instructions must not be exceeded (refer to product information). The maximum permissible sash weight is determined by the component with the smallest load capacity. Application diagrams, installation instructions/information and component assignments must be observed!



1.2.7 Hardware combination

The manufacturers guidelines regarding hardware composition (e.g. the use of additional frame hinges, consoles, sash hinges or run-up blocks, as well as the use of optional components) are legally binding and also contained in the product information.

1.2.8 Assembly

The assembly of hardware components for shutters may only be carried out by qualified people. Please refer to the product information.

1.2.9 Product maintenance

1.2.9.1 General

Inspection and service are fundamental components of maintenance. The verified maintenance is in turn basis for the legal warrant and/or our guarantee.

All inspection intervals and maintenance instructions must be observed! These details must be evident from the operating and maintenance instructions.

Settings and adjustments for the hardware, as well as replacement of components may only be carried out by specialists. Similarly, inserting and/or removing the sashes may only be carried out by specialists. When treating surfaces - e.g.: painting or glazing sashes, all hardware components must be excluded from this treatment and protected to prevent contamination.

1.2.9.2 Maintaining surface finish quality

For maintaining the quality of the RUSTICO PREMIUM-PLUS surface finish permanently please observe the following instructions:

- Avoid surface damage.
- Remove soiling from paintwork.
- The hardware may only be cleaned or polished with mild, pH-neutral cleaning agents in diluted form. Never use chemically aggressive, acetic or abrasive cleaning agents. These can lead to damage of the hardware.
- Please note care instructions in coastal areas.

Care in coastal areas

Challenging environmental conditions are present within areas app. 10 km to the sea. During storms sea water is being distributed in the form of spray and may come into contact with shutter hardware. Salt deposits will form after moisture has evaporated. In combination with other deposits and soiling (dust) these salt deposits may cause increased corrosion. The home owner can prolong the hardware service life by good care and maintenance. At least once every year a thorough cleaning and application of oil is required. Even in coastal areas you will enjoy a long service life of your shutter hardware with only a small maintenance effort.

1. Wash away salt deposits and soiling with fresh water. Never

use aggressive cleaning agents!

2. Let the hardware dry.
3. After drying apply a coating of anti-corrosion spray (e.g. BRUNOX Turbo item no. 362831). Avoid spraying other areas or components (e.g. facade, untreated timber). Anti-corrosion spray may also assist during the cleaning process.

1.2.9.3 Information and instruction duties

The following is available to comply with information and instruction obligation duties and perform maintenance work in accordance with the product liability legislation:

- for dealers: catalogues, operation and maintenance instructions, installation instructions/information and leaflets for components
- for processors: catalogues, tool drawings, operation and maintenance instructions, installation instructions/information and leaflets for components
- for owners and end users: operating and maintenance instructions.

To ensure the functional integrity of shutter hardware for windows and casement doors:

- Designers must request all relevant product information from the manufacturer and observe the details provided.
- Specialised dealers are obliged to comply with all relevant product information and, in particular, request installation instructions/information, as well as operating and maintenance instructions from the manufacturer and hand these documents over to the processors or end user.
- Processors are obliged to comply with all relevant product information and, in particular, request operating and maintenance instructions from the manufacturer and forward these documents to the owner and end user.

All above mentioned reference material is available for download from the MACO website (www.maco.eu).

The shutter manufacturer is required to comply with their duty to provide information to the user of the shutters which they manufacture (according to EN 13659). This should also be indicated in an appropriate form on the operating instructions and maintenance instructions for the shutter hardware, as well as on the information on intended use of the shutters.

In particular, it is important to inform about any damage which may result from faulty maintenance or misuse. Damage to the shutter hardware and the shutters could lead to breaking off of shutter parts or even the whole shutter. This creates the risk of serious personal injury and significant damage to property.

1.2.10 Disclaimer

The manufacturer's liability can also be excluded, among other things:

- If the fault is attributed to a regulation or an official ruling, to which product compliance was stipulated.
- Characteristics of the product, which have given rise to the



claim (against the manufacturer), could not be identified as a fault according to the conditions of science and technology at the time.

- The claim (against the manufacturer) only involves a basic material or a part product that was manufactured, and the fault is due to the construction of the product that was incorporated into the basic material or the part product, or as a result of instructions issued by the manufacturer of this product.

1.2.11 Product information

Maximum sash weights and sash sizes

The shutter weights and maximum shutter sizes specified in this catalogue and in the assembly instructions must not be exceeded (refer to product information).





1.3 Wind resistance

1.3.1 General information

When constructing, installing and operating window shutters, note that these are subjected to very strong loads during storms. Storm damage to shutters can have serious consequences - if part of a shutter or an entire casement breaks free (drops) this can cause damage to property and danger to life and limb.

MACO supplies high-quality shutter fittings and also supports manufacturers, fitters and end users by offering its expertise on the following topics:

- Identifying risks
- Meeting specifications from laws and standards
- Minimising storm damage
- Covering residual risks through insurance

Causes of increased risk are

- Position exposed to wind (location, height above ground, exposed position, periphery of the building, etc.)
- High hazard potential (shopping street, etc.)
- Large and/or heavy shutters, air tight version, unfavourable arrangement
- Anchorage on the pivot point - restricted wind resistance (inner opener, snap holder)
- Shutters prone to vibration
- Folding shutters with internal pivot point (danger of falling when not in secured status)
- Inadequate user instruction, lack of care and absence
- Insufficient maintenance

Specifications from laws and standards (EU)

The national version of the relevant standard applies for each country:

- The specifications of EN 13659:2015 apply for the wind resistance of the closed shutter.
- The fixing and securing of the open shutter must be designed for wind actions determined according to EN 1991-1-4.

In June 2014, the Bundesverband Rollladen + Sonnenschutz e.V. (Federal Association for Manufacturers of Roller shutters and Sun protection) published guidelines for Germany (TR 106) and a summary (TR 106a), which go through the content of the standards and also cover the shutters. These guidelines are available for use free of charge to anyone. They were created for Germany and also offer suggestions for other countries. MACO recommends the use of these guidelines as an aid when applying the standards: <https://rs-kompetenzzentrum.de/normen-richtlinien/technische-richtlinien/>.

MACO provides special notes for the products with anchorage on the pivot point (inner opener and snap holder).

Minimising the risk for storm damage

The cause of damage is often an increased load in conjunction with errors in assembly, operation and maintenance. MACO recommends the following measures:

- Use self-engaging shutter catches which can automatically fix a non-latching shutter.
- Attach safety catches, so that the shutter cannot be unhinged by the storm.
- Provide an additional lock (e.g. lock or shutter catch) for storms and for when inhabitants are away.

Insurance

Check the scope of validity, amount of damages, excess, etc. (storm damage, building liability, and so on).

Terms

- Fixing:
Fixing the sash prevents the shutter from moving in the wind.
- Securing:
Securing the sash prevents the shutter from moving during a storm.
- Safety-catch:
The safety-catch prevents the lifting and unhinging of a shutter during a storm. This problem can also occur with low sash weights, with extreme wind gusts and in cases where the sash is beaten uncontrollably against the window and façade.

1.3.2 Closed shutters

The specifications of EN 13659:2015 apply for the wind resistance of the closed shutter.

	Wind resistance classes according to EN 13659:2015						
	0	1	2	3	4	5	6
Nominal wind pressure p_N (N/m ²)	<50	50	70	100	170	270	400
Safety pressure $p_S = 1.5 p_N$ (N/m ²)	<75	75	100	150	250	400	600

Planning:

Which wind resistance class does the shutter need?

It is the responsibility of the planner of a building to select the required wind resistance class. In many cases, the shutter supplier "automatically" takes on the role of the planner and must determine the requirements at the place of use.

The TR 106 guideline contains instructions and recommendations for selecting the required wind resistance class for a specified place of use in Germany.

In Germany, a large amount of shutters are fitted in wind zones 1 and 2 (see wind zone map). Wind resistance class 3 is normally sufficient here for installation heights up to 10 m.

Declaration of performance:

Which wind resistance class does the shutter provide?

Standard EN 13659:2015 requires shutter manufacturers to declare the wind resistance of their products (class 0 - 6). This only takes closed shutters into consideration. The wind resistance is checked by the manufacturer in accordance with EN 1932 and declared on the CE marking and the declaration of performance.

In the case of turning shutters, the wind resistance class mainly depends on the lock. With a **multi-point locking rod** the highest class can usually be achieved (class 6), but it depends on the screw fixing and profile system.

In the case of shutters **without multi-point locking rod**, i.e. with inner opener or with centre lock, lower classes are achieved.

Information for shutters with inner opener

The tables 1 and 2 show standard values for the wind resistance classes, which can be achieved for shutters with inner openers. The size of the shutter plays a decisive role here. For locations that are exposed to the wind and/or large casements, MACO recommends that an additional safety device is attached to increase wind resistance.

A 2F shutter lock can be fitted as an additional safety device. This must be locked when there is a risk of a storm or when the inhabitants are away.

When the user is away or there are wind speeds greater than the specified value, the shutters must be closed and/or also secured to prevent damage.

Wind resistance classes with inner opener

Table 1 - with inner opener hinge

		Class 5				Class 4				Class 3							
Shutter height (mm)	3 hinges	2.100															
		2.000															
		1.900															
		1.800															
		1.700															
	2 hinges	1.600															
		1.500															
		1.400															
		1.300															
		1.200															
1.100																	
1.000																	
900																	
800																	
		300				400				500				600			
		Shutter width (mm)															

Wind resistance classes with inner opener

Table 2 - with rotary arm and bearing block

		Class 5				Class 4				Class 3							
Shutter height (mm)	3 hinges	2.100															
		2.000															
		1.900															
		1.800															
		1.700															
	2 hinges	1.600															
		1.500															
		1.400															
		1.300															
		1.200															
1.100																	
1.000																	
900																	
800																	
		300				400				500				600			
		Shutter width (mm)															

Explanation for the tables 1 and 2

- Standard values for classification according to EN 13659:2015
- Testing in accordance with DIN EN 1932:2013
- Only for shutters in closed position

1.3.3 Open shutters

The design loads for open shutters are derived from EN 1991-1-4 (wind actions) and explained in the TR 106 guideline. This guideline is available free-of-charge for anyone at: <https://rs-kompetenzzentrum.de/normen-richtlinien/technische-richtlinien/>.

QUOTE: A pressure/suction of 400 N/m² should normally be sufficient for dimensioning non-air tight window shutters.

Open shutters with anchorage on the pivot point

The inner opener and the snap holder are restraining systems with anchorage on the pivot point. They do not provide any storm resistance. Therefore, MACO recommends extremely careful planning, advice, installation, use and maintenance when using these products. The instruction manual is extremely important. In practice, high level of satisfaction is achieved with due care.

In exposed locations, MACO advises against the use of inner openers and snap holders, or using them with an additional safety device.

Behaviour in the event of wind with anchorage on the pivot point

If the shutter remains open, then normally no damage will be incurred. Depending on the installation site, the stronger the wind the more likely it is that hardware components will break. In the case of an inner opener, the drive bolts can be twisted off, for





example. In the case of a snap holder, the pressure pins can be torn off, for example. The wind will then cause the shutter to hit the window and curtain wall in an uncontrolled manner, thereby causing further damage.

This situation must be taken into account when planning, to be co-ordinated with the client and documented in the handbook.

Folding shutters with inner pivot point must never be secured with a snap holder for this reason.

In extreme cases, the shutter can be unhinged by the force of the wind. This risk must be averted by installing a safety catch (1 per casement).

1.3.4 Instruction manual

According to EN 13659:2015 (Section 6), the shutter manufacturer is obligated to provide an instruction manual:

- for installation
- for operation (must be provided to the end user)
- for maintenance (fitter and end user)

The [Pflichten katalog_2015_\(CE\)](#) ([Catalogue_of_specifications_2015_\(CE\)](#)) from the Bundesverbands Rollläden + Sonnenschutz e.V. (Federal Association for Manufacturers of Roller shutters and Sun protection) also provides support at www.itrs-ev.com.

Information relating to dangerous situations (e.g. storms) must be clear and detailed. If necessary, the operating instructions must also contain information about the wind velocity at which

the shutter is to be closed (or secured using another method) in order to prevent the risk of it breaking off.

Information from MACO

MACO provides instructions for installing, operating and maintaining hardware. These instructions can be used by the shutter manufacturer as a building block for creating its manual. The latest version of these instructions is available to download at www.maco.eu.

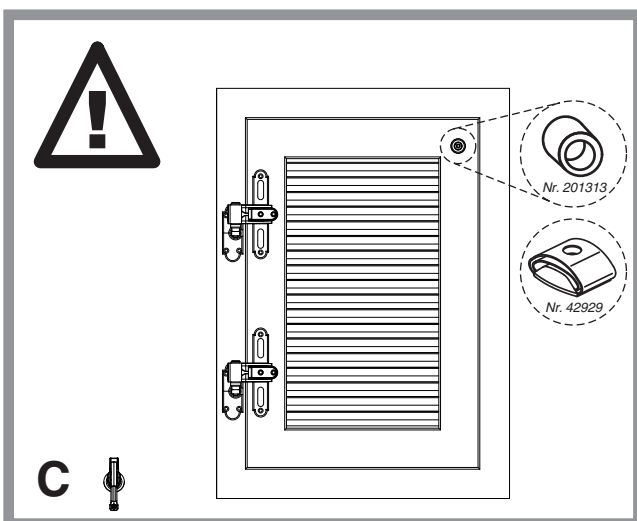
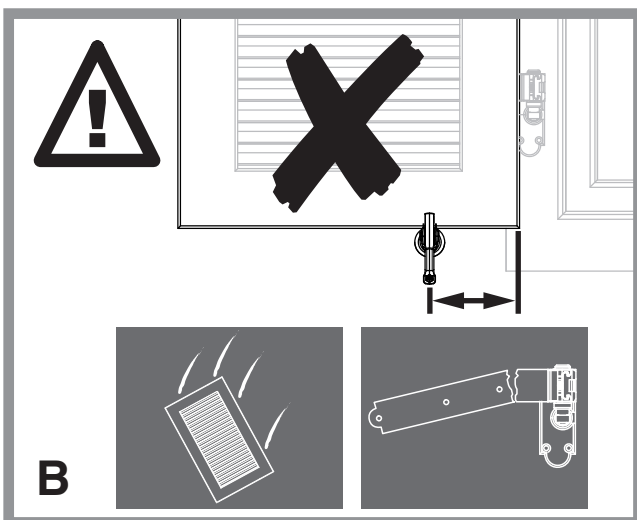
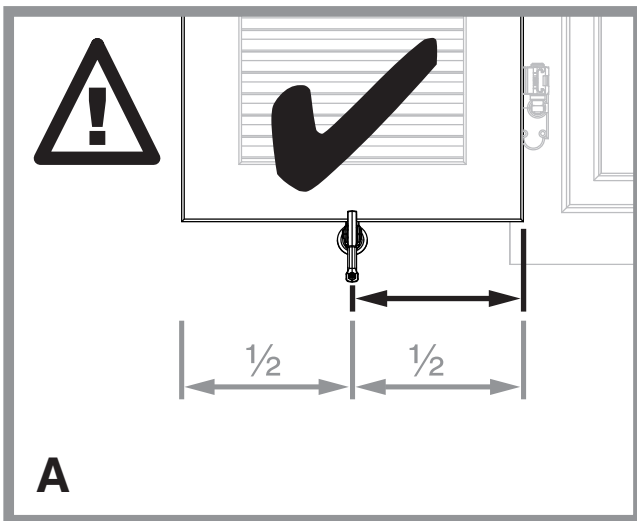
Maximum wind velocity with anchorage on the pivot point

In the case of sun protection products with limited storm resistance, EN 13659:2015 requires a maximum wind velocity to be defined in the operating instructions. When the user is away or there are wind speeds greater than the specified value, the shutters must be closed and/or secured to prevent damage.

Calculation of the permissible wind pressure and thus the permissible wind velocity can be performed according to EN 1991-1-4. However, the time, effort and uncertainty (dynamic behaviour) are so great that MACO recommends the use of experience values. The standard value of 60 km/h for peak wind values has proven successful for the permissible sash sizes and max. sash weight. Above this value, a storm warning is usually issued.

- max. shutter width 600mm
- max. width for folding shutters 2 x 600mm
- max. height 2,100mm
- max. sash weight 20kg (applies for folding shutters for the total weight of both casements)

1.4 Shutter catches and buffer stops



CAUTION: Failure to observe the following points can cause damage due to misuse of shutters described in Section 1.2 "Information on product safety and product liability", including the risk of severe injury to persons and damage to property!

• **Shutter holders minimum 1/2 shutter width**

Shutter holders must be installed at half the shutter width (see Figs. A + B). All shutter holders and locks must be installed so that they are held securely in the open and close position! Failure to do so can cause the hinges to break and shutter to drop, with risk of damage to property or personal injury.

• **Buffer stops**

A buffer stop must be used to prevent the top part of the shutter springing back when it snaps into place (see Fig. C). When the buffer stop is used, make sure that the facade has sufficient compression strength (e.g. when thermal insulation is used).

• **Distance 210mm for light shutters**

For shutters with an overall weight to a maximum of 20kg (maximum 30kg for MMV hardware range), the distance between the shutter holder and the edge of the shutter at the hinge side must be at least 210mm. This also permits the use of the deluxe shutter holder for windows for these shutters - independent of the width of the shutter.

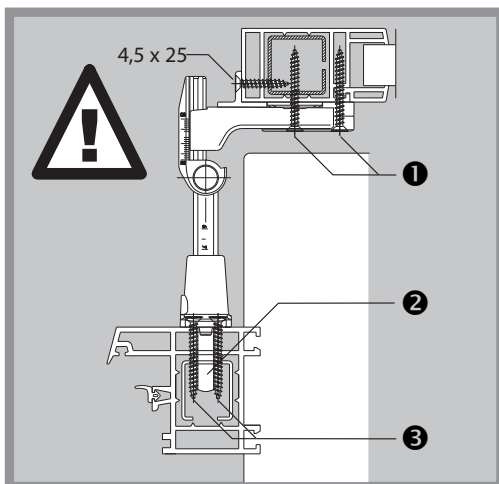
1.5 Screw fixing and pin depth

A fastening agent must be placed in each screw hole of the hardware components to ensure sufficient anchorage in the foundation.

The application diagrams are based on endurance tests (EN 14648). The MACO screws used in these endurance tests have the following values:

- In Spruce timber with 22mm insertion, without pre-drilling: 1,600N
- In Alu with 1.5mm wall thickness and drilling 2.5mm: 1,200N

Window and shutter made of PVC



1 - at least 1 screw in the reinforcement

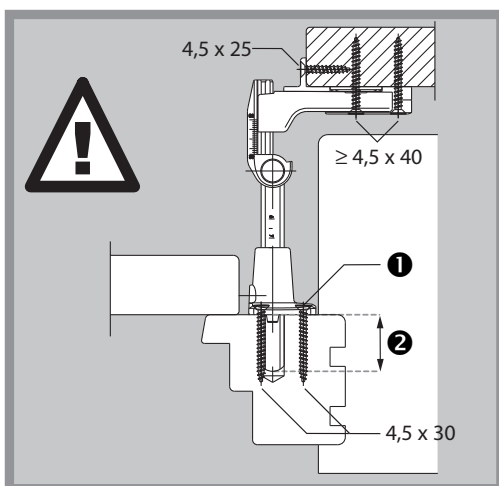
2 - Adjusting pin must reach at least 8mm into the reinforcement and be routed in the Ø 12mm pin hole

3 - Fasten the screws through at least 2 walls and through the reinforcement

If the pre-drilled hole of the straight pin causes problems, cranked pins can be used (e.g. upright reinforcement).

The force between the shutter and hinge is transferred via the hinge body, not via the decorative bracket. The hinge body and mounting bracket must be fastened through the reinforcement.

Window and shutter made of timber

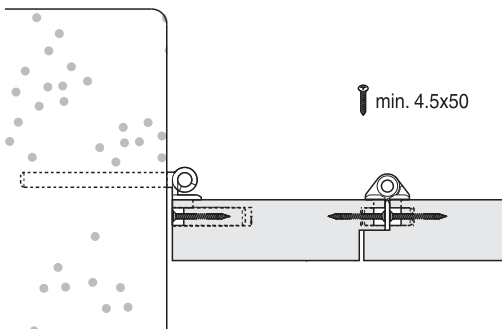


1 - In combination with snap holder $\geq 4.5 \times 40$ mm

2 - Pin insert depth in Ø 12mm pin holes:

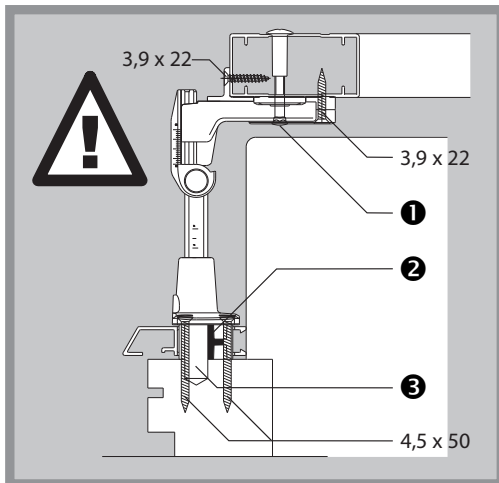
- at least 15mm for pins L59-L135
- at least 20mm for snap holder L90-L140 and for pins L150
- at least 25mm for pins or snap holders up to L165

Concealed hinges on timber



i

Window made of timber-aluminium and shutter made of aluminium

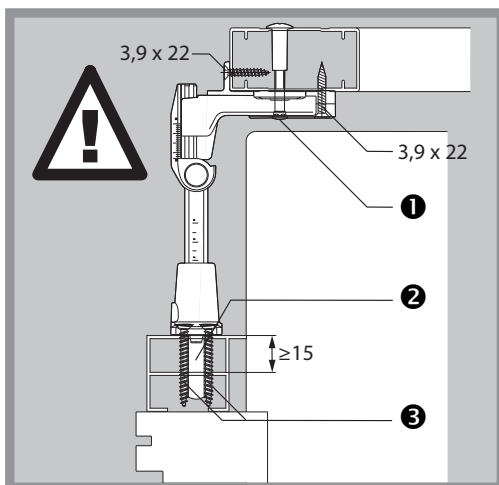


1 - Fixing screw with threaded sleeve

2 - Underlay for aluminium profiles

3 - Pin depth in timber frame at least 15mm in pin hole Ø 12mm

Frame and shutter made of aluminium



1 - Fixing screw with threaded sleeve

2 - Adjusting pin must reach at least 8mm into the second wall and be routed in the Ø 12mm pin hole

3 - Fasten the screws through at least 2 walls



1.6 Application diagrams

1.6.1 Instructions for determining permissible shutter sizes

To read the permissible shutter sizes in the application diagrams, the weight per square meter (kg/m^2) of the shutter must be known.

For the application diagrams shown, the weight per square meter (kg/m^2) is always specified.

Determining the weight per square meter (kg/m^2)

The easiest method is to "Weigh - measure - divide". Proceed as follows: Use commercially available bathroom scales to determine the overall weight of the shutter, then calculate the shutter surface by multiplying the values for the length and width (specified in meters). Finally divide the weight (kg) by the surface area (m^2).

Example calculation

- Shutter height 2.10m, shutter width 0.75m
- Shutter surface = $2.10\text{m} \times 0.75\text{m} = 1.575\text{m}^2$
- Shutter weight acc. to scales 18kg
- Weight per square meter = $18\text{kg} : 1.575\text{m}^2 = 11.4\text{kg/m}^2$

Select the matching diagram

- For MMV hardware range: Diagram "max. 12kg/m^2 "
- For BLR hardware range: Diagram "max. 14kg/m^2 "

For solid timber shutters, the weight per square meter can be calculated as follows: Multiply the weight of a cubic meter of the timber used by the shutter thickness (specified in meters).

Benchmarks for timber weights

- Spruce $400\text{-}500\text{kg/m}^3$
- Oak $670\text{-}850\text{kg/m}^3$

Example calculation

- Cubic meter weight 430kg, shutter thickness 0.044m
- Weight per square meter = $430\text{kg} \times 0.044\text{m} = 18.92\text{kg/m}^2$

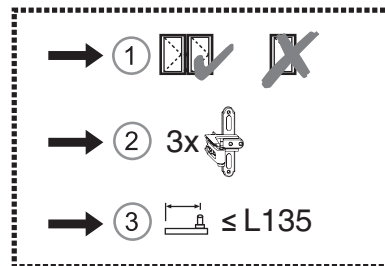
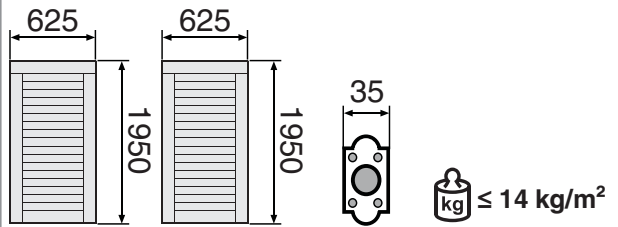
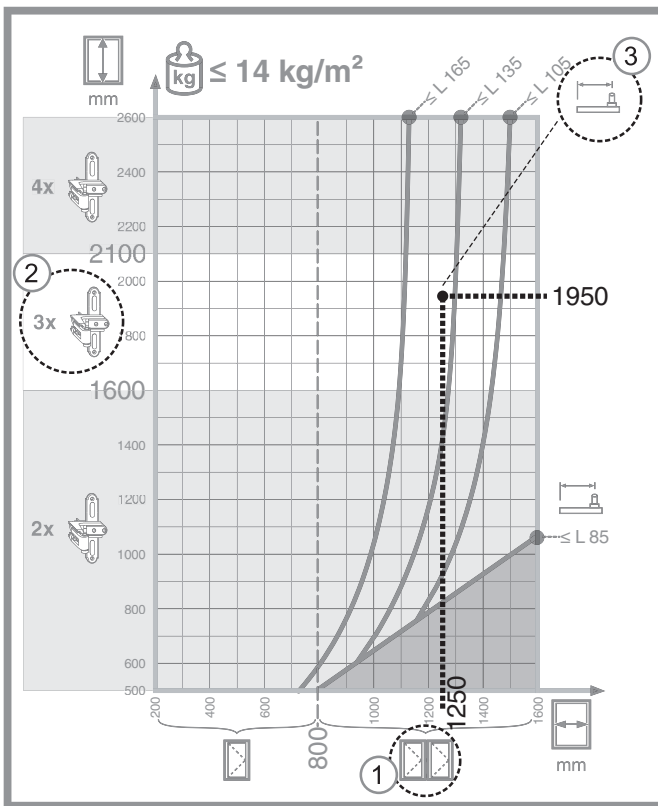
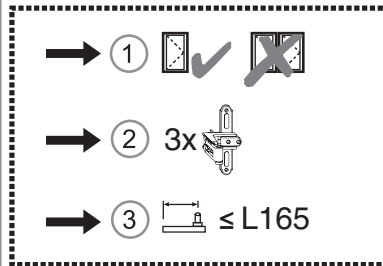
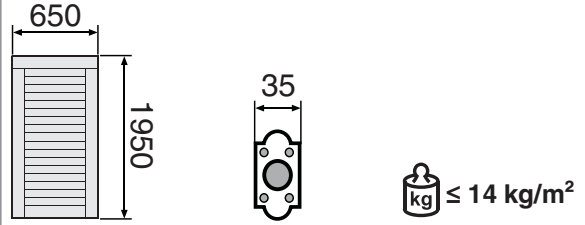
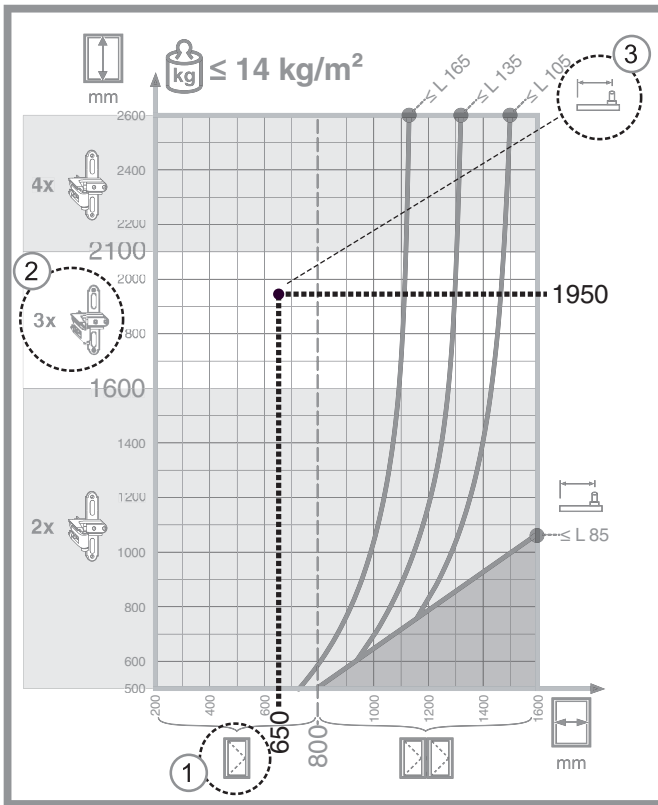
When using PVC or aluminium profiles contact the profile manufacturer to determine the weight per square metre.

In installations where hardware components from different hardware ranges are used, the corresponding diagrams for the BLR/MV hardware range must be taken into account when determining the permissible shutter sizes!

Using calculation diagrams

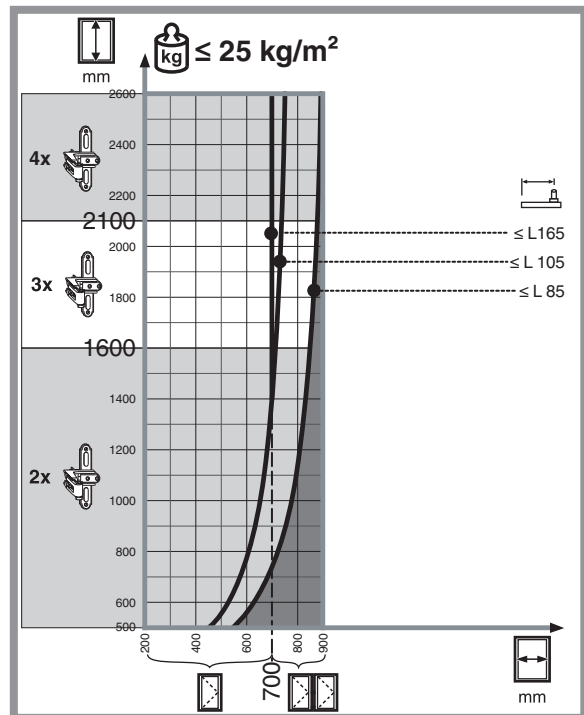
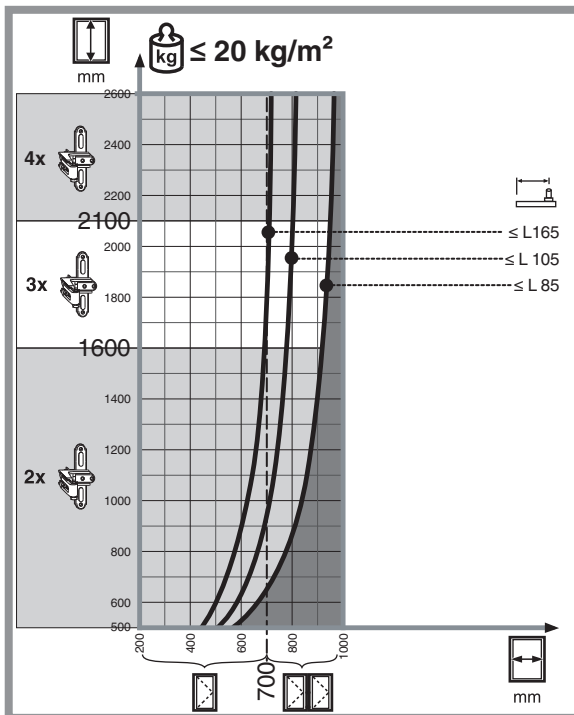
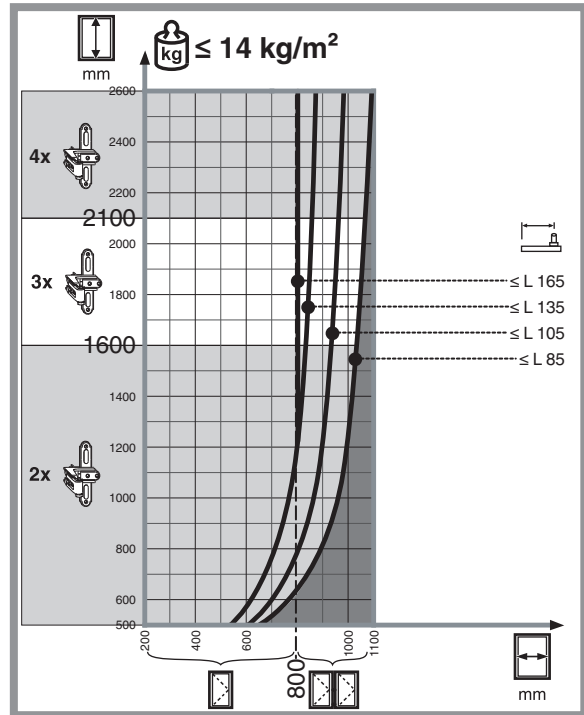
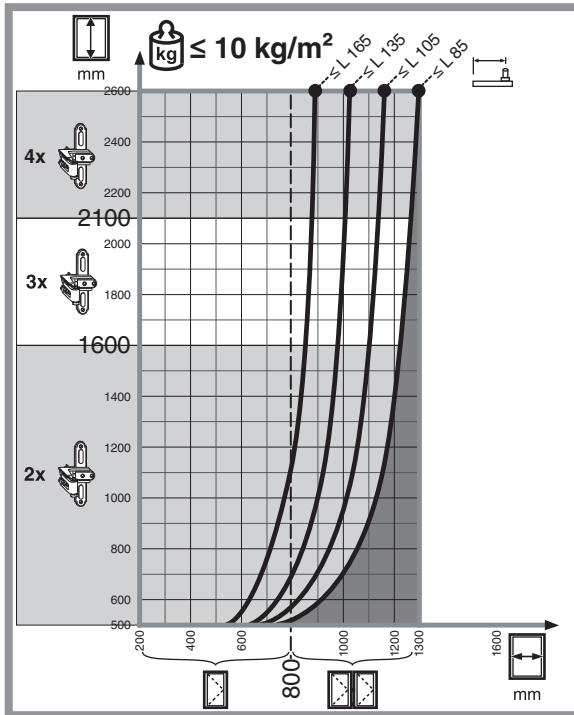
Mark the intersection of the width and height in the diagram for the shutter to be installed.

Use the examples below to determine which important information can be read from the diagrams to ensure correct hardware selection and shutter installation:



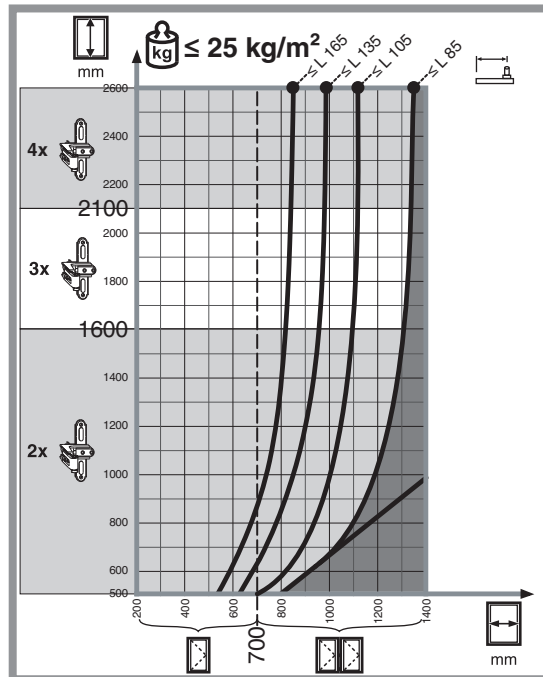
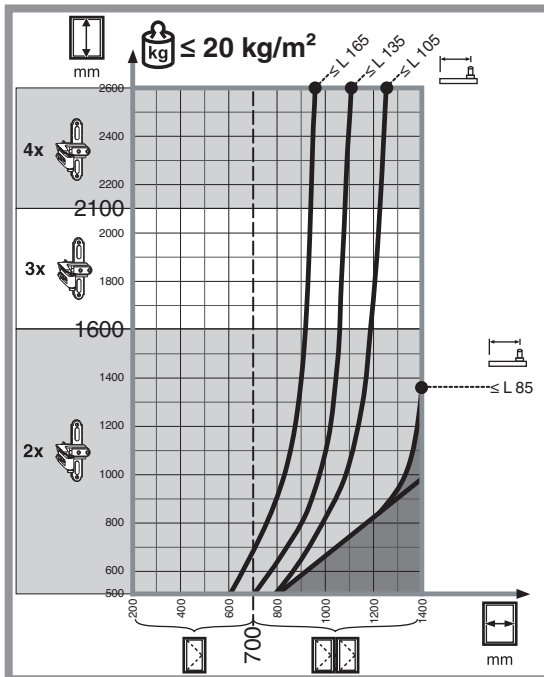
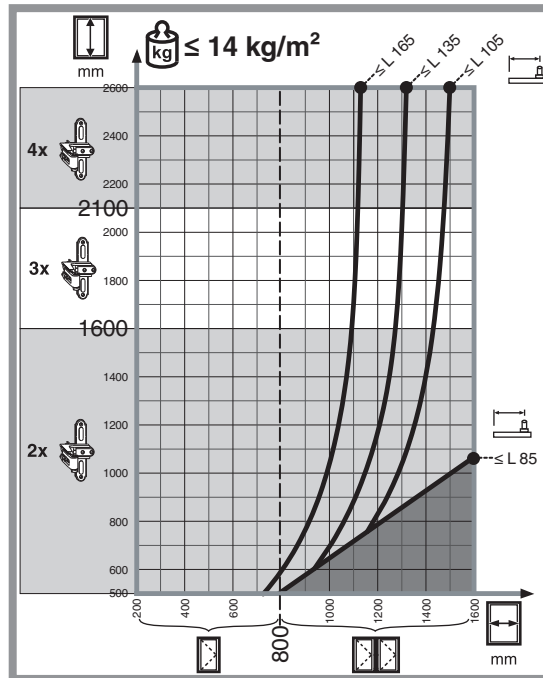
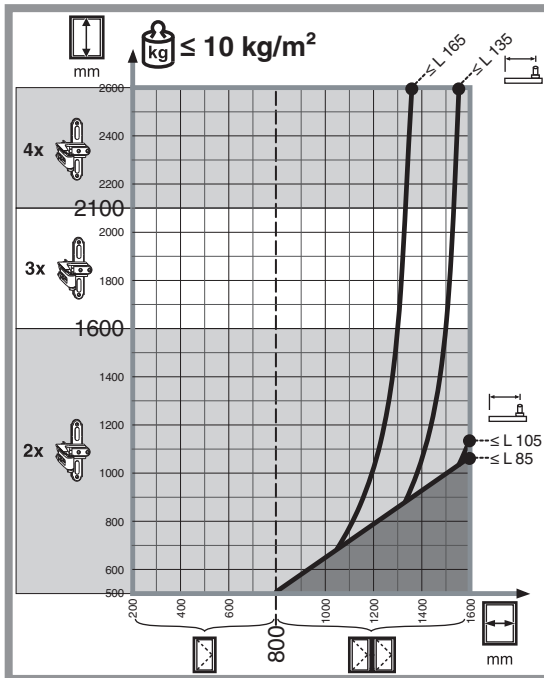
1.6.2 BLR application diagrams, 25mm wide shutter pin holder

The following diagrams apply to MV hardware and to BLR hardware with 25mm wide shutter pin holder.



1.6.3 BLR application diagrams, 35mm wide shutter pin holder

The following diagrams apply to BLR hardware with 35mm wide shutter pin holder and with BLR surface mounted frame hinges.



1.6.4 Instructions for masonry installation

The MMV hardware range offers a stable steel hinge and the advantages of adjustability!

The lateral adjustment is used to correct deviations that can arise in the following situations:

- Inaccuracies during installation
- Sash deformation ("hanging")
- Deformation of fasteners and/or hardware components

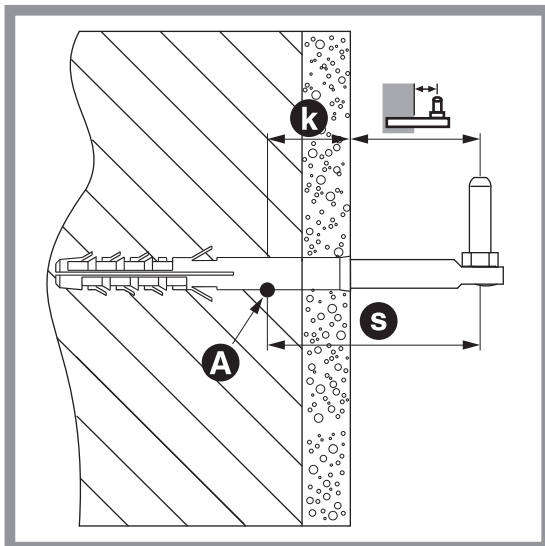
Observe the following points for all following diagrams:

- Use folding shutters for wider shutters and use folding shutter couplings to fasten them to the inside shutter or shutter

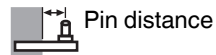
holders to fasten them the doors.

- Observe assembly instructions for masonry fixing (item no. 49490)! Particularly observe correct positioning of shutter catches and buffer stops.
- The load-carrying capacity of the shutter pin in the masonry must be checked by the user. If necessary, a different suitable fastening method (e.g. chemical dowel pin etc.) must be used.
- The support span **s** depends on how the shutter pin is fastened and on the properties of the masonry (plaster, insulation) — see figure below "Pin support span":

Pin support span



- S** Support span This length is decisive for the shutter pin strength — refer to diagrams for MMV hardware range.
- A** Support point Pin support point in the masonry
- k** Distance This is the distance from the wall surface to point A. This distance depends on how the shutter pin is fastened and on the properties of the masonry (plaster, insulation).



Additional

- The load capacity of the anchoring of the shutter pin in the masonry must be assured by the user.
- The 90° shutter pin drilling is no longer valid in terms of current technology. Due to the low edge distance, it is not possible to achieve sufficient safety in many cases.

Recommendations from MACO

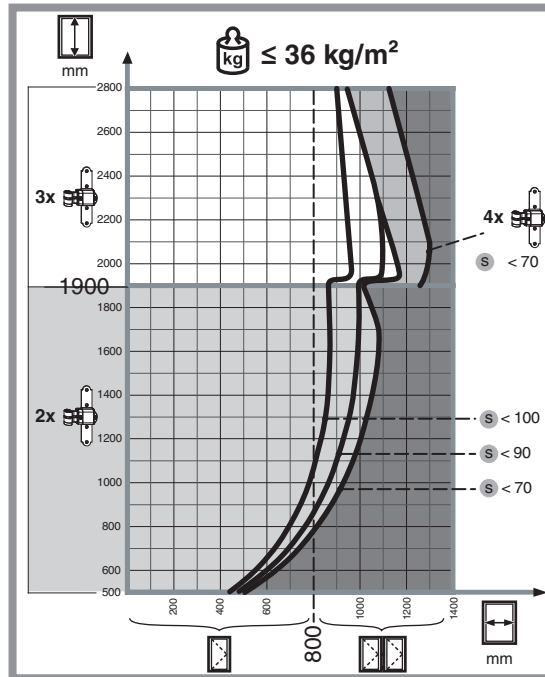
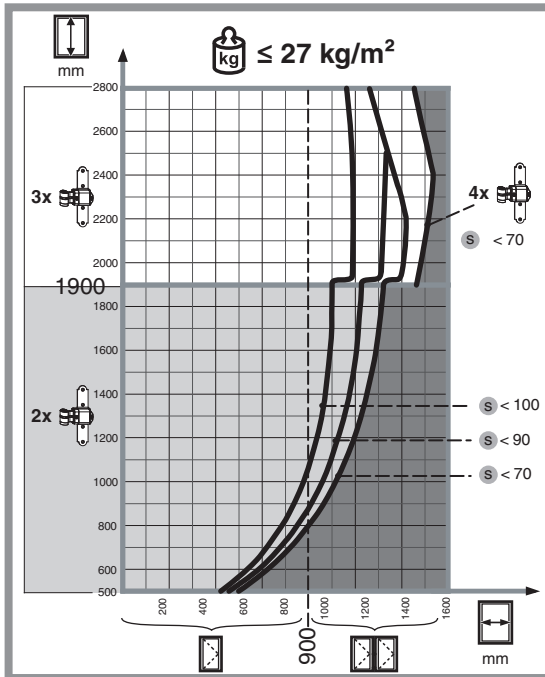
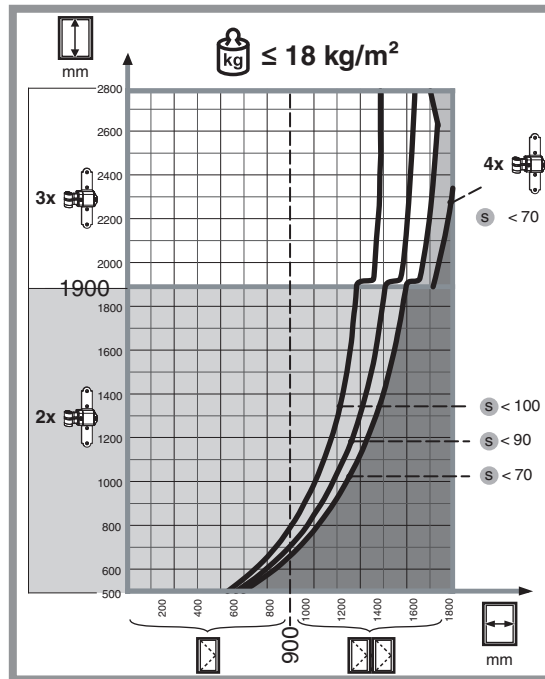
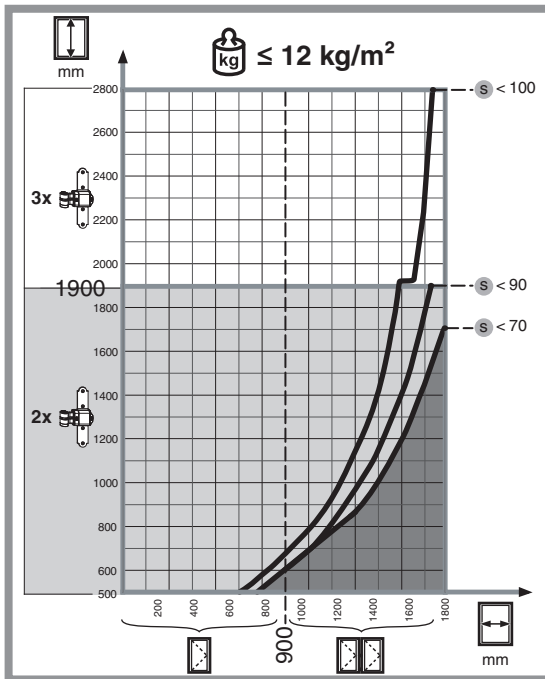
- Careful selection of a suitable fixing to match the masonry
- If in doubt, check the use of chemical dowels

- Slanted shutter pin drilling instead of straight drilling
- Sufficient depth of anchorage (shutter pin length)
- Use of three shutter pins + three hinges for each sash
- Selection and installation of the fixing by qualified personnel
- Define and arrange for regular inspection

Restriction

- When using long hinges, the total weight must not exceed 60kg.

1.6.5 MMV application diagrams



1.6.6 Instructions for Ø16 masonry pins

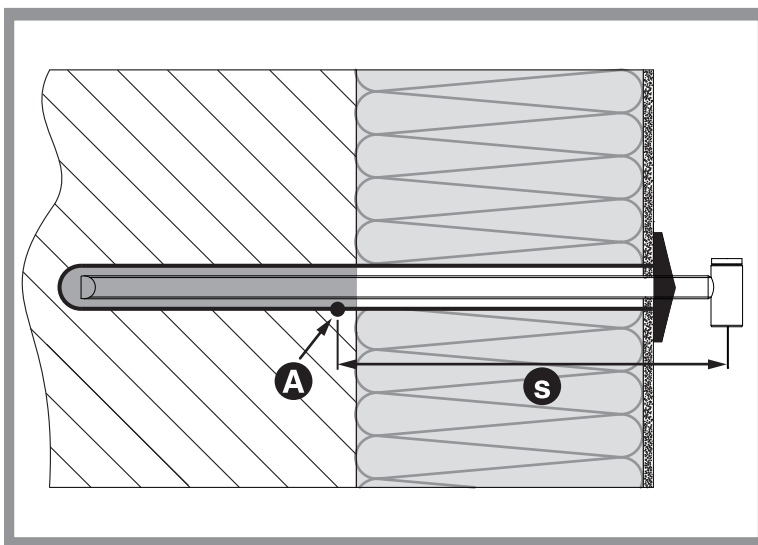
The installation instructions for Ø16 masonry pins (item no. 756580) and the package insert (item no. 750487) must be observed! In particular, make sure that the drilled hole is resistant to heavy rain and that the shutter catch and buffer stop are positioned correctly (refer to section 1.4 *Shutter catches and buffer stops*).

To fasten correctly, we recommend the use of a chemical rawlplug (e.g. from HILTI or WÜRTH).

The load-carrying capacity of the shutter pin in the masonry must be checked by the user. If necessary, a different suitable fastening method (e.g. chemical dowel pin etc.) must be used.

When using certain types of chemical rawlplugs it may be necessary to chamfer the end of the shutter pin to prevent subsequent rotation of the shutter pin after installation.

Pin support span

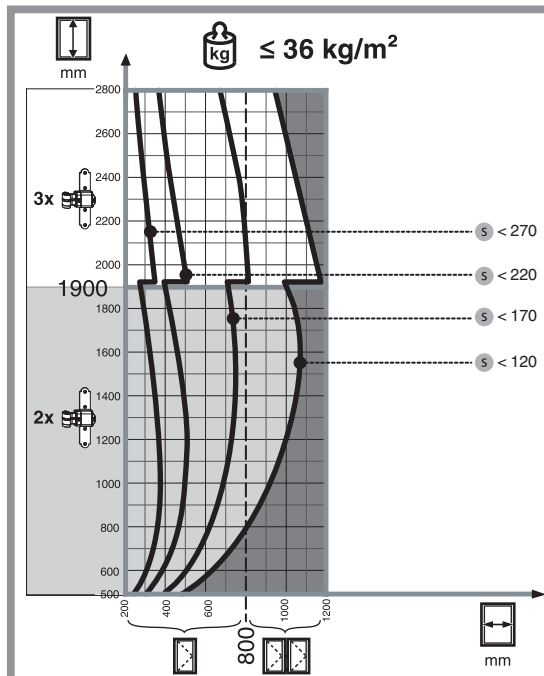
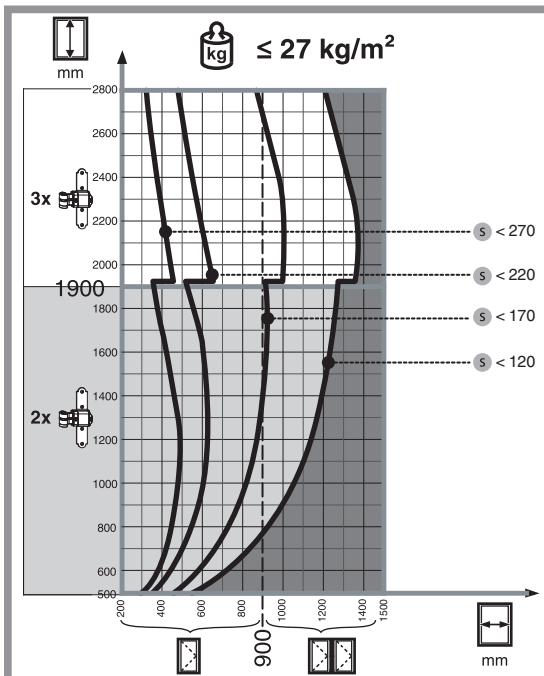
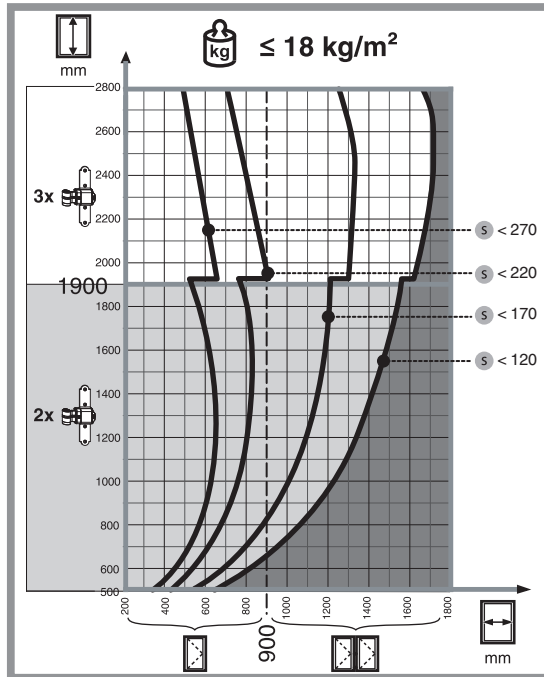
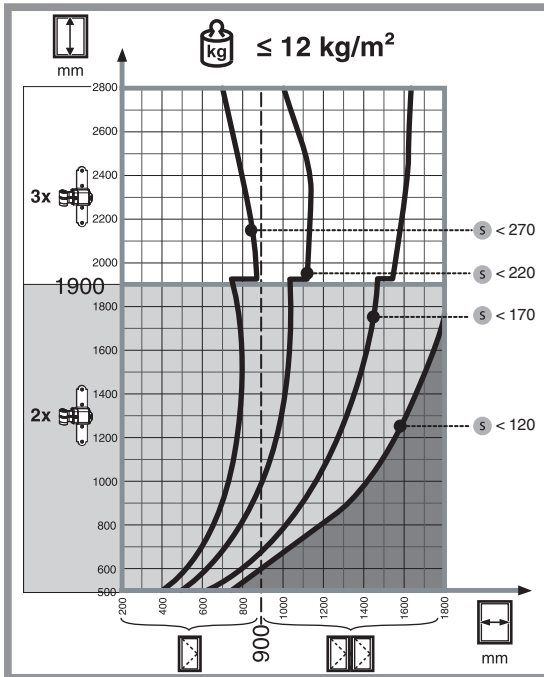


S Support span This length is decisive for the shutter pin strength — refer to diagrams on the following page!

A Support point Pin support point in the masonry

1.6.7 MMV application diagrams, Ø16 thread

The following diagrams apply to MMV hinges and MMV shutter pins, Ø16 thread.





1.6.8 PAD table

The following table applies to PAD hinges and shutter pins. Maximum sash weight 21kg/m².

Number of shutter hinges	Shutter height	Shutter width
2	≤ 1600mm	max. 900mm
2	≤ 1900mm	max. 800mm
3	≤ 2200mm	max. 900mm
3	≤ 2400mm	max. 800mm



1.7 Surface finish RUSTICO PREMIUM-PLUS

1.7.1 Surface finish with 10-year guarantee

From 2013, the RUSTICO hardware comes with a new anti-corrosion coating technology. MACO guarantees to the fabricator a 10-year resistance to corrosion. This guarantee applies to all locations, including coastal regions. For more information about the guarantee, please contact your MACO specialist or check the guarantee certificate. The certification by ift Rosenheim and the guarantee certificate can be found on our website (www.maco.eu).

1.7.2 Sustainability

- Long service life
- No solvents
- Closed production circuits
- Chrome -VI free

1.7.3 Quality

- The exceptionally high resistance to corrosion is continually tested by in-house salt-spray testing in compliance with ISO 9227. All parts are flawless after 1,500 hours. Furthermore, we continually monitor raw material quality and layer thickness.
- Test certificate issued by the accredited testing institute ift-

Rosenheim (Germany) regarding salt spray testing according to ISO 9227. All parts turned out flawless even after 1,500 hours and have therefore clearly surpassed class 5 (highest level) according to EN1670 (this standard requires only 480 hours exposure).

- UV-resistance and colour stability of all powder-coated surfaces.
- The textured surface is robust and dirt-repellent and possesses high scratch resistance.
- PVC parts made of UV-resistant and colour-stable materials.
- Natural weathering test.

1.7.4 Available colours

MACO-RUSTICO hardware components for shutters are available in three standard colours:

- Black S: fine structure RAL 9005
- Grey S: fine structure RAL 7004
- White S: fine structure RAL 9016

1.7.5 Care

To preserve the quality of the hardware for long time, please observe the information provided in the operation and maintenance instructions for window shutters.





1.8 Certificates and guarantees

MACO ensures high quality, not only with ongoing continuous internal testing, but also through external auditing by renowned, independent institutes. Copies of all our current independent test certificates, covering our quality, safety and environmental management systems, as well as our product

guarantees are available to download from our website www.maco.eu. In addition our safety descriptions relating to dangerous substances (REACH Declaration) are available, covering all MACO products.

1.9 General terms and conditions

Our current general terms and conditions are available for download from our website (www.maco.eu).



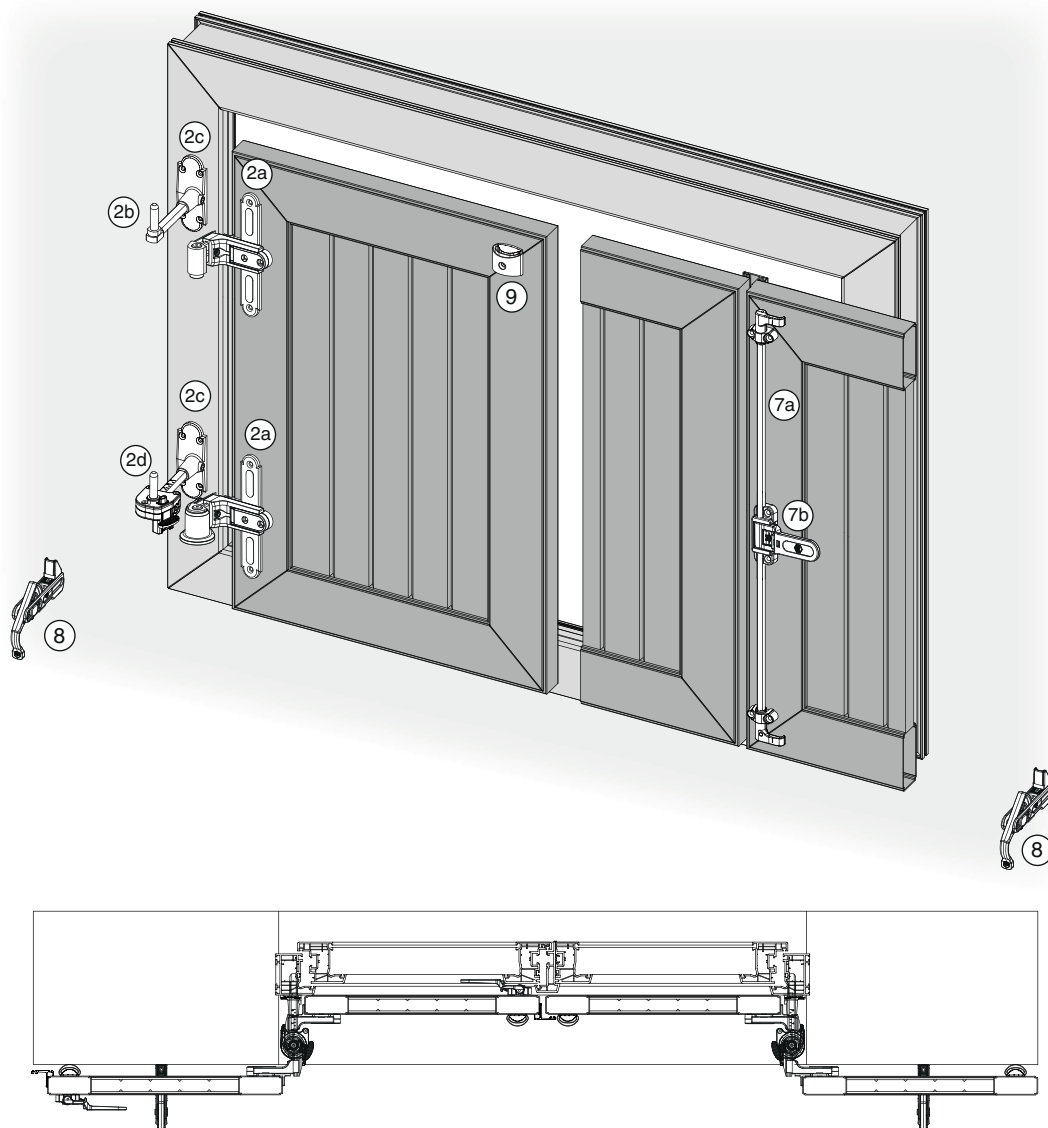
2 Frame installation

2.1	Information for hardware selection	30
2.1.1	2-sashed	30
2.1.2	4-sashed with external pivot point	34
2.1.3	4-sashed with internal pivot point	38
2.1.4	Tables for BLR hardware sizes	40
2.2	Hinges	45
2.2.1	Hinges without fixing tab	45
2.2.2	BLR hinges with fixing tab	47
2.2.3	Accessories for shutter hinges	52
2.3	Shutter pins	53
2.3.1	BLR threaded surface mounted frame hinges	53
2.3.2	Accessories for shutter pins	55
2.4	BLR shutter pin holders	56
2.4.1	BLR shutter pin holders	56
2.4.2	Accessories for shutter pin holders	56
2.5	BLR snap holders	57
2.5.1	Installation example	57
2.5.2	BLR snap holders straight	58
2.5.3	BLR snap holders with crank 4mm	59
2.6	Crank openers	60
2.6.1	Installation example with hinge	60
2.6.2	Installation example with rotary arm	61
2.6.3	Drive gears for V2 crank openers with octagon	62
2.6.4	Hinges for crank openers	62
2.6.5	Rotary arms for crank openers	63
2.6.6	Crank arms	63
2.6.7	Folding shutter rods for crank openers	64
2.6.8	Accessories and single components for crank opener drive gears	65
2.7	Jigs	66
2.7.1	Jigs for BLR hardware range	66
2.7.2	Jigs for crank openers	66

2 Frame installation

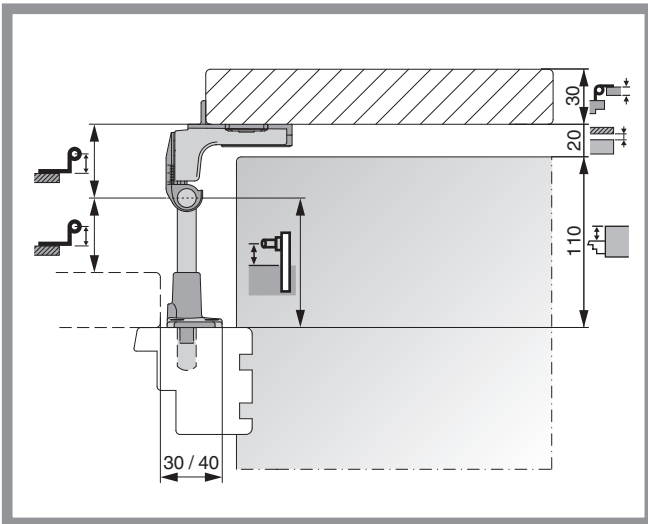
2.1 Information for hardware selection

2.1.1 2-sashed



Selection guide		Page
2a	2.2.2 BLR hinges with fixing tab	→47
2b	2.3 Shutter pins	→53
2c	2.4 BLR shutter pin holders	→56
2d	2.5 BLR snap holders	→57
7a	7.1 Snap locks packages	→116
7b	7.7 Centre locks	→135
8	8 Shutter catches	→138
9	9.2 Buffer stops	→152

2.1.1.1 Flush mounted without spacing



Calculation shutter pin distance

$$\begin{aligned}
 & \begin{array}{l} \text{Shutter thickness} \\ \text{Distance between shutter and frame} \end{array} \\
 & \begin{array}{l} 110\text{mm} \\ + 20\text{mm} \\ + 30\text{mm} \end{array} \\
 \hline
 & = 160\text{mm} : 2 = 80\text{mm}
 \end{aligned}$$

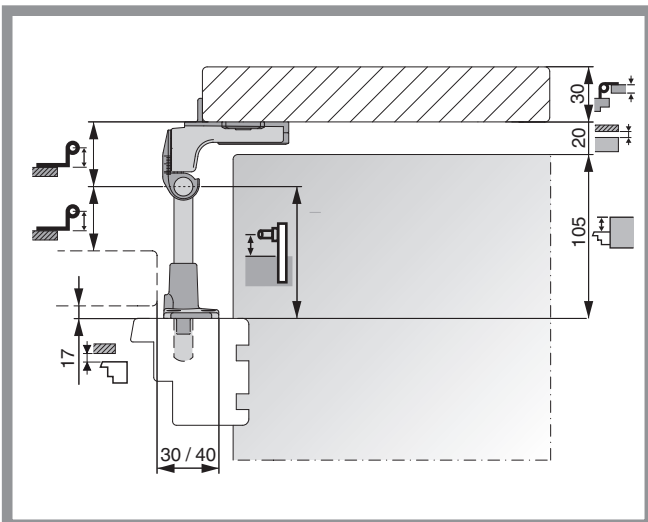
→ L 105 (60-90mm)

Calculation hinge crank

$$\begin{aligned}
 & \begin{array}{l} \text{Shutter thickness} \\ \text{Distance between shutter and frame} \end{array} \\
 & \begin{array}{l} 110\text{mm} \\ + 20\text{mm} \\ - 30\text{mm} \end{array} \\
 \hline
 & = 100\text{mm} : 2 = 50\text{mm}
 \end{aligned}$$

→ Gr. 2 (45-70mm)

2.1.1.2 Flush mounted with spacing



Calculation shutter pin distance

$$\begin{aligned}
 & \begin{array}{l} \text{Shutter thickness} \\ \text{Distance between shutter and frame} \\ \text{Shutter thickness} \\ \text{Distance between shutter and frame} \end{array} \\
 & \begin{array}{l} 105\text{mm} \\ + 20\text{mm} \\ + 47\text{mm} \\ \text{(shutter thickness 30mm + distance 17mm)} \end{array} \\
 \hline
 & = 172\text{mm} : 2 = 86\text{mm}
 \end{aligned}$$

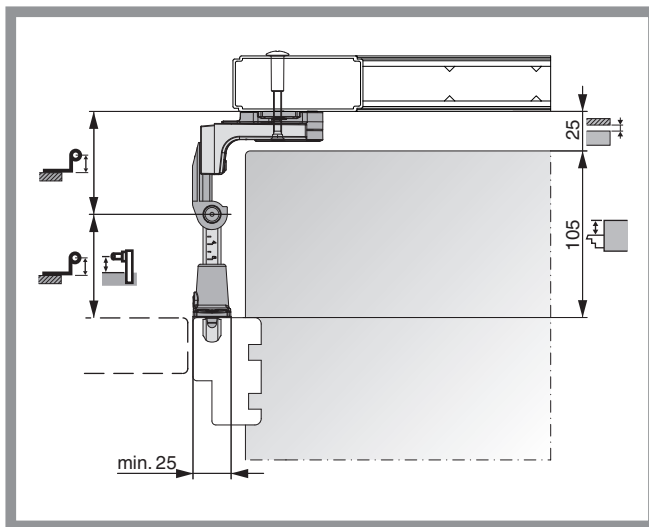
→ L 105 (60-90mm)

Calculation hinge crank

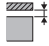
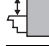
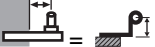
$$\begin{aligned}
 & \begin{array}{l} \text{Shutter thickness} \\ \text{Distance between shutter and frame} \\ \text{Distance between shutter and frame} \\ \text{Distance between shutter and frame} \end{array} \\
 & \begin{array}{l} 105\text{mm} \\ + 20\text{mm} \\ - 30\text{mm} \\ - 17\text{mm} \end{array} \\
 \hline
 & = 78\text{mm} : 2 = 39\text{mm}
 \end{aligned}$$

→ Gr. 1 (32-50mm)

2.1.1.3 Flush



Calculation shutter pin distance = hinge crank

	25mm	
	+ 105mm	
<hr/>		
=	130mm : 2 = 65mm	
<hr/>		

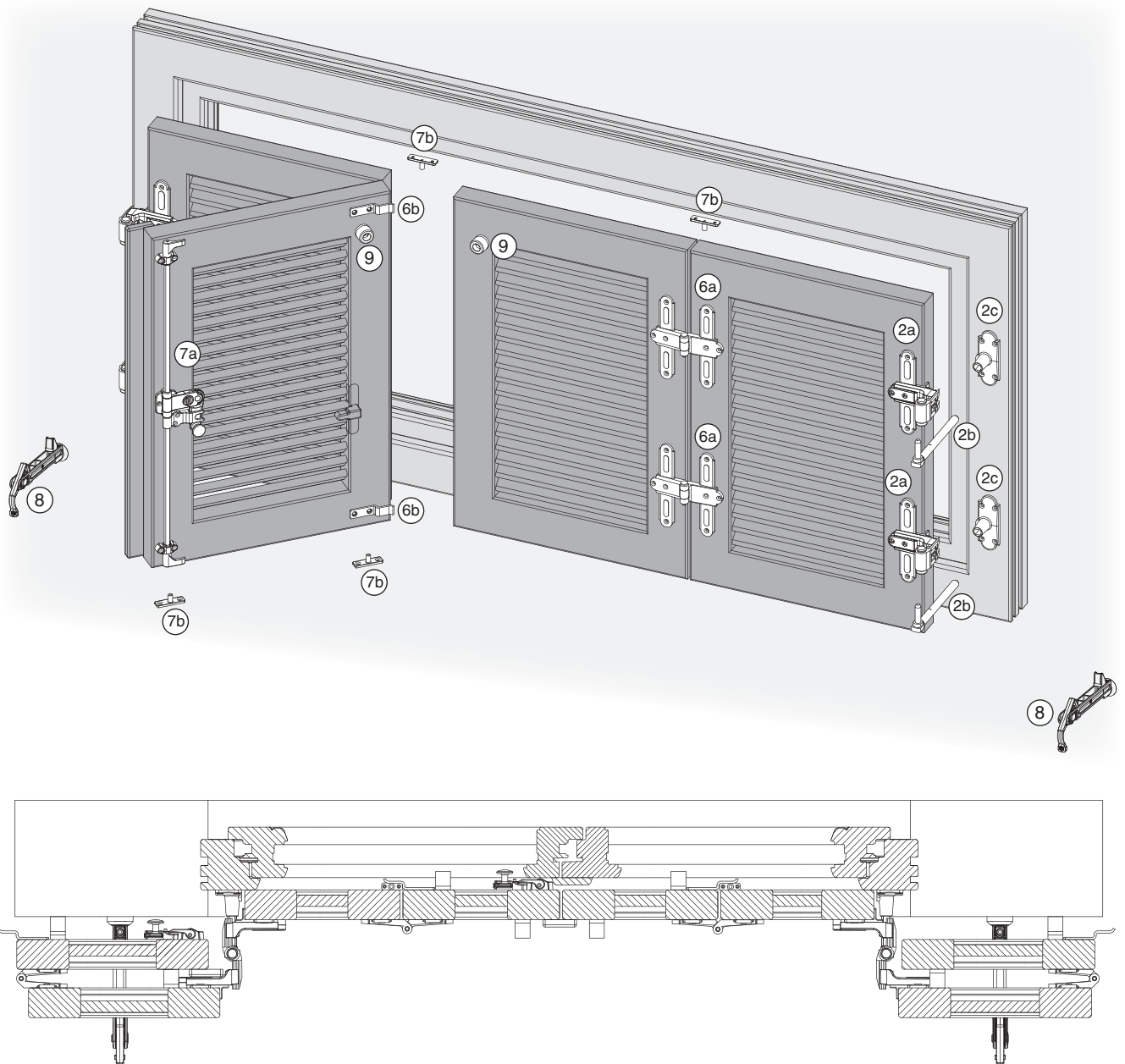
MACO
RUSTICO



Frame installation Information for hardware selection

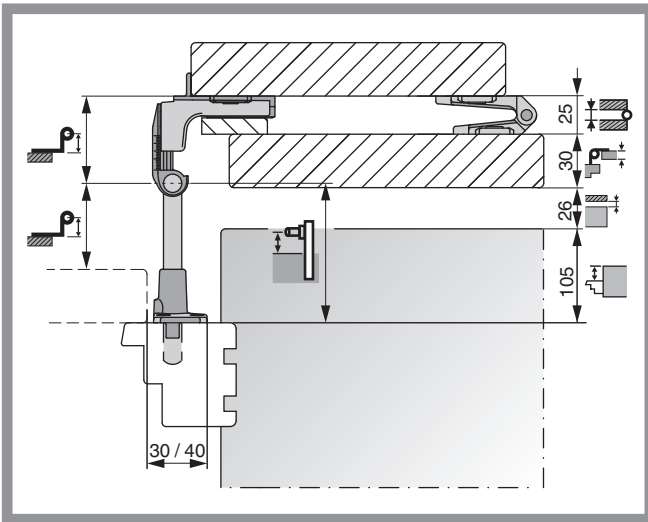


2.1.2 4-sashed with external pivot point



Selection guide		Page
2a	2.2.2.2 BLR cross hinges with variable crank	→47
2b	2.3.1.2 BLR threaded surface mounted frame hinges straight with lateral adjustment	→54
2c	2.4.1 BLR shutter pin holders	→56
6a	6.1.1 BLR centre cross hinges	→108
6b	6.6 Multi-sash locking hooks	→114
7a	7.1.3.2 2F shutter locks without striker pin brackets without protection block with spring-loaded locking hooks	→121
7b	7.3 Striker pin brackets for frame installation	→124
8	8 Shutter catches	→138
9	9.2 Buffer stops	→152

2.1.2.1 Flush mounted without spacing



Calculation shutter pin distance

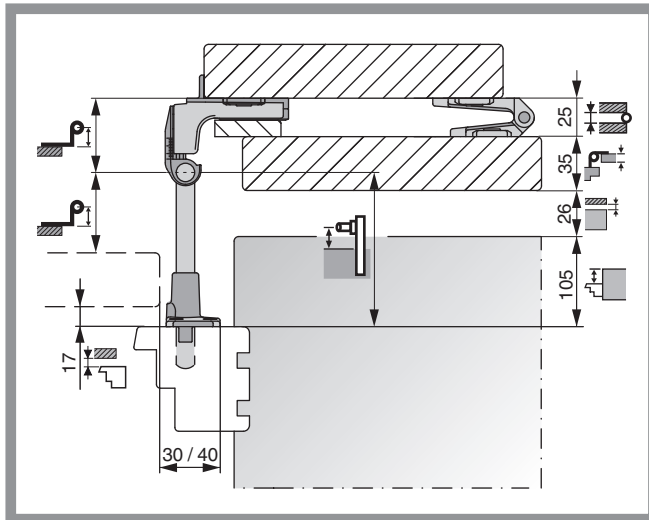
	105mm
	+ 26mm
	+ 25mm
2 x	+ 60mm
<hr/>	
=	216mm : 2 = 108mm
<hr/>	
→ L 135	(80-120mm)

Calculation hinge crank

	105mm
	+ 26mm
	+ 25mm
<hr/>	
=	156mm : 2 = 78mm
<hr/>	
→ Gr. 3	(65-100mm)



2.1.2.2 Flush mounted with spacing



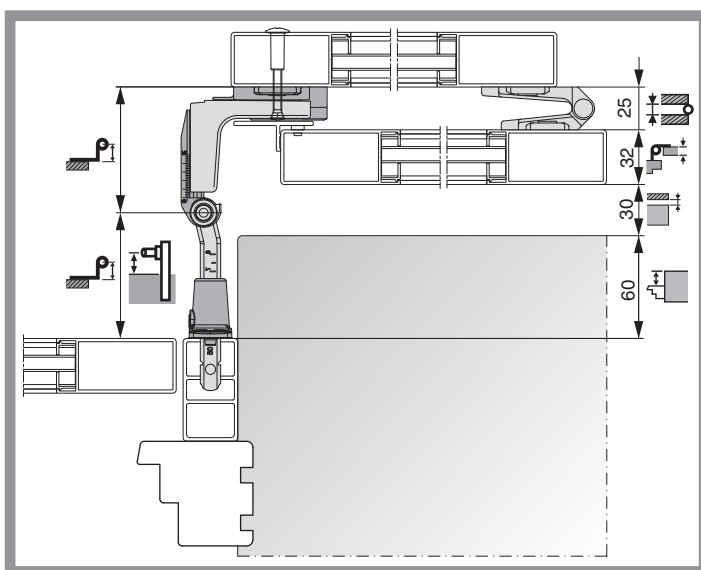
Calculation shutter pin distance

	105mm
	+ 26mm
	+ 25mm
2 x	+ 70mm
	+ 17mm
<hr/>	
=	243mm : 2 = 121,5mm
<hr/>	
→ L 165	(120-140mm)

Calculation hinge crank

	105mm
	+ 26mm
	+ 25mm
	- 17mm
<hr/>	
=	139mm : 2 = 69,5mm
<hr/>	
→ Gr. 3	(65-100mm)

2.1.2.3 Flush



Calculation shutter pin distance = hinge crank

	60mm
	+ 30mm
	+ 32mm
	+ 25mm
<hr/>	
=	147mm : 2 = 73,5mm =
<hr/>	
→ L 105	
→ hinge without fixing tab Gr. 2	(70-95mm)

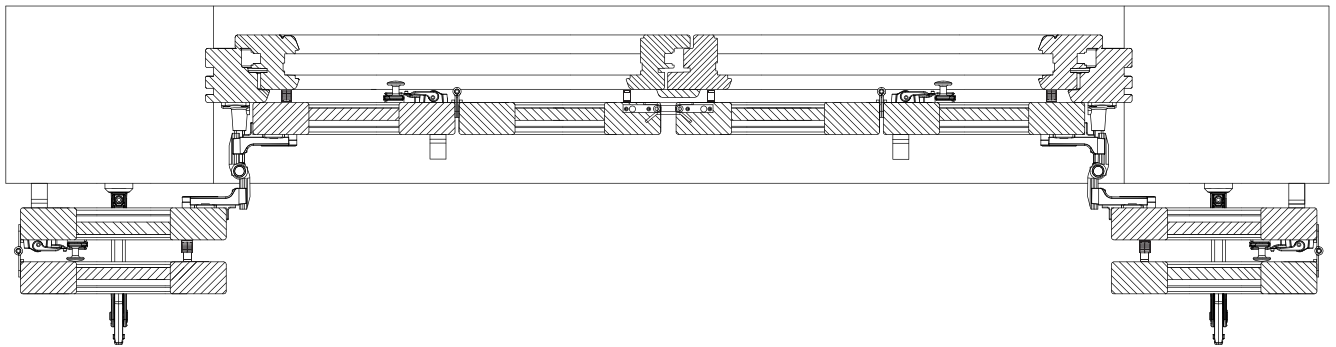
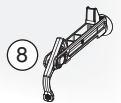
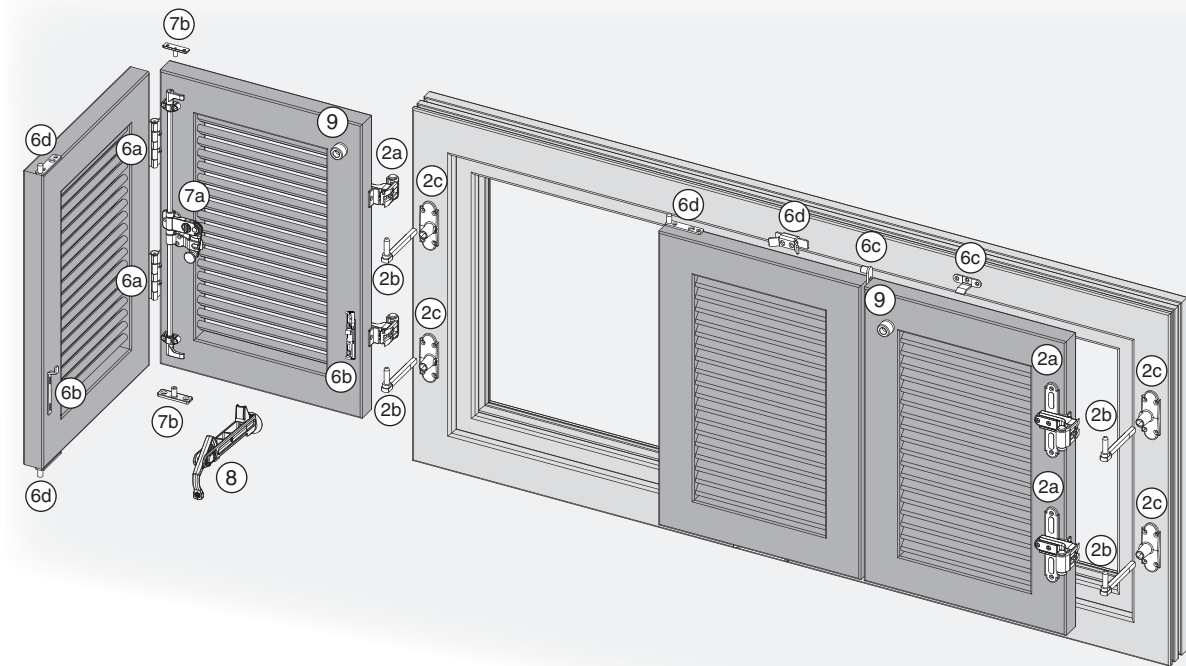
MACO
RUSTICO



Frame installation Information for hardware selection

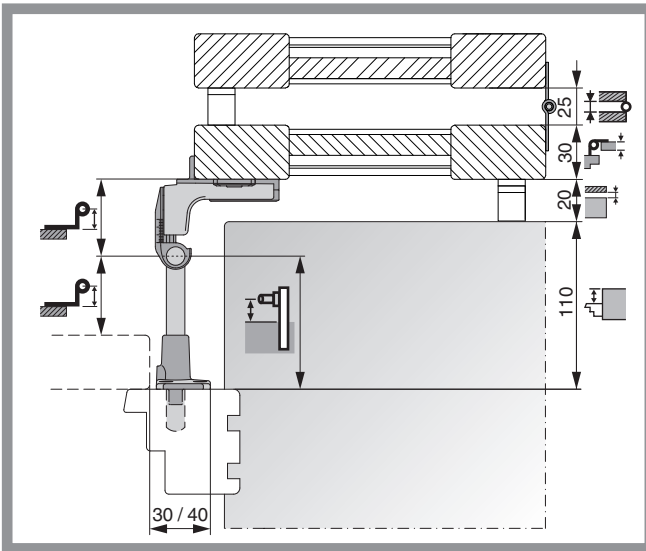


2.1.3 4-sashed with internal pivot point



Selection guide		Page
2a	2.2.2.2 BLR cross hinges with variable crank	→47
2b	2.3.1.2 BLR threaded surface mounted frame hinges straight with lateral adjustment	→54
2c	2.4.1 BLR shutter pin holders	→56
6a	6.1.3 BLR centre hinges straight/cranked	→109
6b	6.2 Folding shutter couplings	→112
6c	6.5 Shutter suspending run-up block	→113
6d	6.6 Multi-sash locking hooks	→114
7a	7.1.3.2 2F shutter locks without striker pin brackets without protection block with spring-loaded locking hooks	→121
7b	7.3 Striker pin brackets for frame installation	→124
8	8.1.3 Shutter catches "Classic" model with cover disk without fixing bolts	→140
9	9.2 Buffer stops	→152

2.1.3.1 Flush mounted without spacing



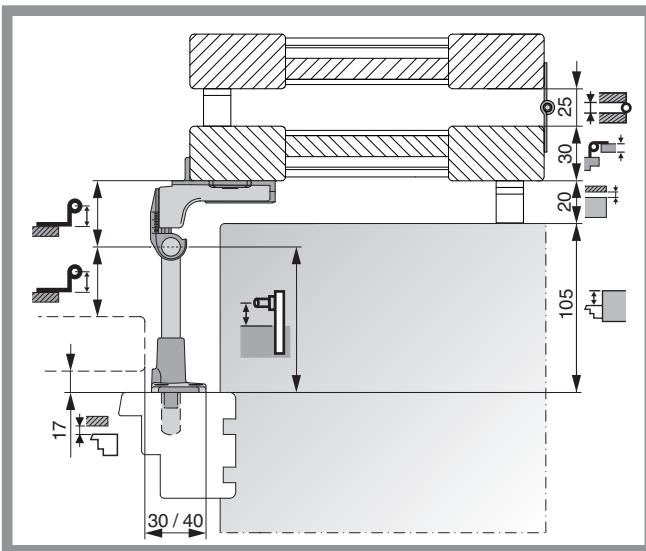
Calculation shutter pin distance

	110mm
	+ 20mm
	+ 30mm
=	160mm : 2 = 80mm
→	L 105 (60-90mm)

Calculation hinge crank

	110mm
	+ 20mm
	- 30mm
=	100mm : 2 = 50mm
→	Gr. 2 (45-70mm)

2.1.3.2 Flush mounted with spacing



Calculation shutter pin distance

	105mm
	+ 20mm
	+ 47mm (shutter thickness 30mm + distance 17mm)
=	172mm : 2 = 86mm
→	L 105 (60-90mm)

Calculation hinge crank

	105mm
	+ 20mm
	- 30mm
	- 17mm
=	78mm : 2 = 39mm
→	Gr. 1 (32-50mm)

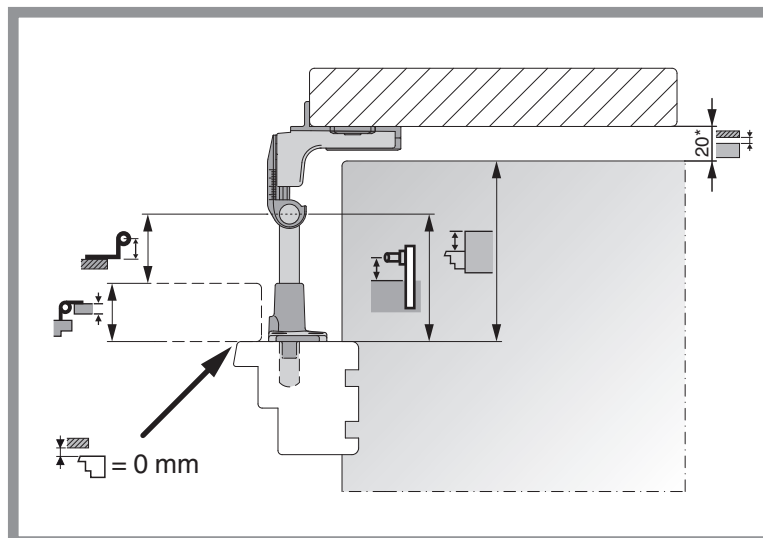
2.1.4 Tables for BLR hardware sizes

for shutter distance 0mm (pin and snap holder sizes apply for installation on timber — see Section 1.5)

Sash hinges - Crank																					Distance	0									
		Reveal-depth in mm																													
		0	10	20	30	40	50	60	70	80	90	100	110	120	130	140	150	160	170	180	190	200	210								
Shutter thickness	25 mm	0	15	15	15	20	23	28	33	38	43	48	53	58	63	68	73	78	83	88	93	98	0								
	30 mm	0	0	15	15	15	20	25	30	35	40	45	50	55	60	65	70	75	80	85	90	95	100								
	35 mm	0	0	15	15	15	20	23	28	33	38	43	48	53	58	63	68	73	78	83	88	93	98								
	40 mm	0	0	0	15	15	15	20	25	30	35	40	45	50	55	60	65	70	75	80	85	90	95								
	50 mm	0	0	0	0	15	15	15	20	25	30	35	40	45	50	55	60	65	70	75	80	85	90								
		flat					flush					Gr.0					Gr.1					Gr.2					Gr.3				
		Fixed Crank with lateral adjustment										Crank with lateral adjustment																			

Adjustable shutter pin - Distance																													
		Reveal-depth in mm																											
		0	10	20	30	40	50	60	70	80	90	100	110	120	130	140	150	160	170	180	190	200	210						
Shutter thickness	25 mm	0	40	40	40	45	48	53	58	63	68	73	78	83	88	93	98	103	108	113	118	123	0						
	30 mm	30	30	45	45	45	50	55	60	65	70	75	80	85	90	95	100	105	110	115	120	125	130						
	35 mm	35	35	50	50	50	55	58	63	68	73	78	83	88	93	98	103	108	113	118	123	128	133						
	40 mm	40	40	40	55	55	55	60	65	70	75	80	85	90	95	100	105	110	115	120	125	130	135						
	50 mm	50	50	50	50	65	65	65	70	75	80	85	90	95	100	105	110	115	120	125	130	135	140						
		L59	L75			L85			L95			L105			L115			L125			L135			L150			L165		

Shutter catch - Shutter pin distance																										
		Reveal-depth in mm																								
		0	10	20	30	40	50	60	70	80	90	100	110	120	130	140	150	160	170	180	190	200	210			
Shutter thickness	25 mm	0	0	0	0	0	54	54	58	63	68	73	78	83	88	93	98	103	108	113	118	123	0			
	30 mm	0	0	0	0	0	59	60	65	70	75	80	85	90	95	100	105	110	115	120	125	130	0			
	35 mm	0	0	0	0	0	64	64	68	73	78	83	88	93	98	103	108	113	118	123	128	133	0			
	40 mm	0	0	0	0	0	69	70	75	80	85	90	95	100	105	110	115	120	125	130	135	140	0			
	50 mm	0	0	0	0	0	79	80	85	90	95	100	105	110	115	120	125	130	135	140	145	150	0			
							L90					L110					L140					L165 always between 2 shutter pins				



* 20mm for hinges with adjustable crank. 20-50mm for hinges with crank fixing.

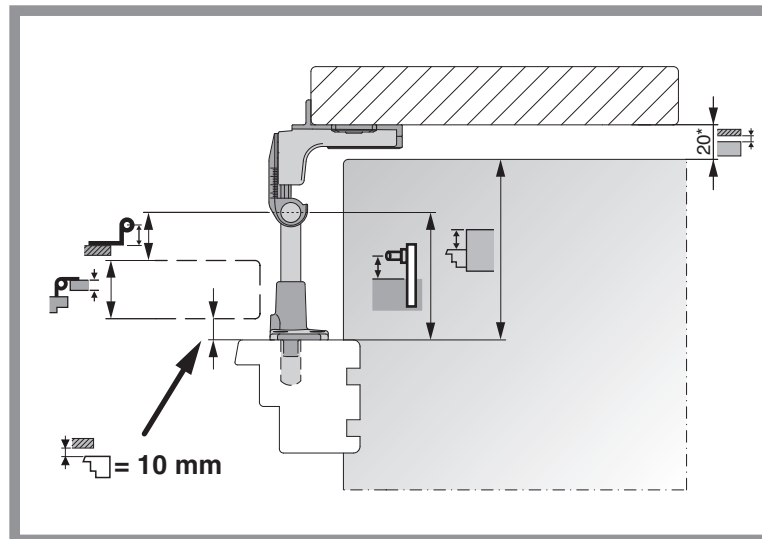
for shutter distance 10mm (pin and snap holder sizes apply for installation on timber — see Section 1.5)

Sash hinges - Crank																					Distance	10							
		Reveal-depth in mm																											
		0	10	20	30	40	50	60	70	80	90	100	110	120	130	140	150	160	170	180	190	200	210						
Shutter thickness	25 mm	0	15	15	15	20	23	28	33	38	43	48	53	58	63	68	73	78	83	88	93	98							
	30 mm	0	0	15	15	15	20	25	30	35	40	45	50	55	60	65	70	75	80	85	90	95							
	35 mm	0	0	15	15	15	20	23	28	33	38	43	48	53	58	63	68	73	78	83	88	93							
	40 mm	0	0	0	15	15	15	20	25	30	35	40	45	50	55	60	65	70	75	80	85	90							
	50 mm	0	0	0	0	15	15	15	20	25	30	35	40	45	50	55	60	65	70	75	80	85	90						
flat					flush					Gr.0					Gr.1					Gr.2					Gr.3				
Fixed Crank with lateral adjustment										Crank with lateral adjustment																			



Adjustable shutter pin - Distance																												
		Reveal-depth in mm																										
		0	10	20	30	40	50	60	70	80	90	100	110	120	130	140	150	160	170	180	190	200	210					
Shutter thickness	25 mm	35	50	50	50	53	58	63	68	73	78	83	88	93	98	103	108	113	118	123	128	133						
	30 mm	40	40	55	55	55	60	65	70	75	80	85	90	95	100	105	110	115	120	125	130	135						
	35 mm	45	45	60	60	60	63	68	73	78	83	88	93	98	103	108	113	118	123	128	133	138						
	40 mm	50	50	50	65	65	65	70	75	80	85	90	95	100	105	110	115	120	125	130	135	140						
	50 mm	60	60	60	75	75	75	80	85	90	95	100	105	110	115	120	125	130	135	140	140	140	140					
L59		L75			L85			L95			L105			L115			L125			L135			L150			L165		

Shutter catch - Shutter pin distance																							
		Reveal-depth in mm																					
		0	10	20	30	40	50	60	70	80	90	100	110	120	130	140	150	160	170	180	190	200	210
Shutter thickness	25 mm							64	64	68	73	78	83	88	93	98	103	108	113	118	123	128	133
	30 mm							69	69	70	75	80	85	90	95	100	105	110	115	120	125	130	135
	35 mm							74	74	78	83	88	93	98	103	108	113	118	123	128	133	138	138
	40 mm							79	79	80	85	90	95	100	105	110	115	120	125	130	135	135	140
	50 mm							89	89	90	95	100	105	110	115	120	125	130	135	140	140	140	140
L90							L110					L140					L165 always between 2 shutter pins						



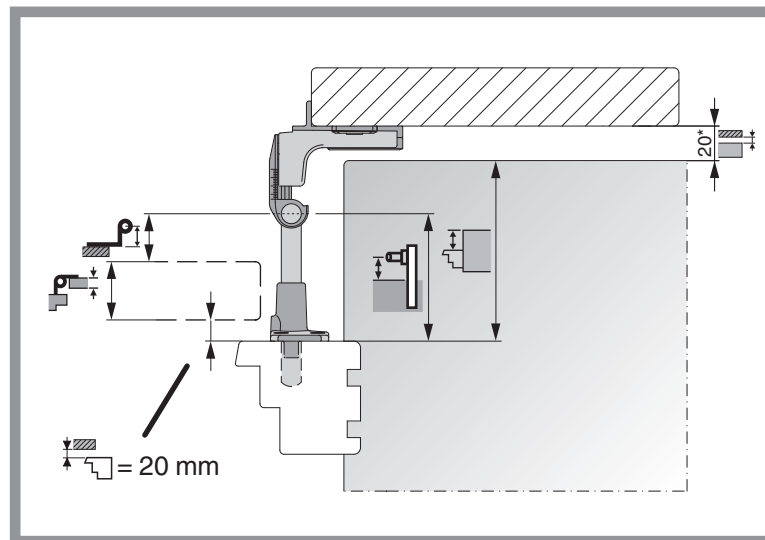
* 20mm for hinges with adjustable crank. 20-50mm for hinges with crank fixing.

for shutter distance 20mm (pin and snap holder sizes apply for installation on timber — see Section 1.5)

Sash hinges - Crank																				Distance	20										
		Reveal-depth in mm																													
		0	10	20	30	40	50	60	70	80	90	100	110	120	130	140	150	160	170	180	190	200	210								
Shutter thickness	25 mm	0	0	0	15	15	15	20	23	28	33	38	43	48	53	58	63	68	73	78	83	88	93								
	30 mm	0	0	0	0	15	15	15	20	25	30	35	40	45	50	55	60	65	70	75	80	85	90								
	35 mm	0	0	0	0	15	15	15	20	23	28	33	38	43	48	53	58	63	68	73	78	83									
	40 mm	0	0	0	0	15	15	15	20	25	30	35	40	45	50	55	60	65	70	75	80										
	50 mm	0	0	0	0	15	15	15	20	25	30	35	40	45	50	55	60	65	70	75	80										
		flat					flush					Gr.0					Gr.1					Gr.2					Gr.3				
Fixed Crank with lateral adjustment										Crank with lateral adjustment																					

Adjustable shutter pin - Distance																							
		Reveal-depth in mm																					
		0	10	20	30	40	50	60	70	80	90	100	110	120	130	140	150	160	170	180	190	200	210
Shutter thickness	25 mm	45	45	45	60	60	60	65	68	73	78	83	88	93	98	103	108	113	118	123	128	133	138
	30 mm	50	50	50	65	65	65	70	75	80	85	90	95	100	105	110	115	120	125	130	135	140	
	35 mm	55	55	55	70	70	70	73	78	83	88	93	98	103	108	113	118	123	128	133	138		
	40 mm	60	60	60	75	75	75	80	85	90	95	100	105	110	115	120	125	130	135	140			
	50 mm	70	70	70	85	85	85	90	95	100	105	110	115	120	125	130	135	140					
		L75	L85		L95		L105			L115		L125		L135		L150		L165					

Shutter catch - Shutter pin distance																								
		Reveal-depth in mm																						
		0	10	20	30	40	50	60	70	80	90	100	110	120	130	140	150	160	170	180	190	200	210	
Shutter thickness	25 mm								74	74	78	83	88	93	98	103	108	113	118	123	128	133	138	
	30 mm								79	79	80	85	90	95	100	105	110	115	120	125	130	135	140	
	35 mm									84	84	88	93	98	103	108	113	118	123	128	133	138		
	40 mm									89	89	90	95	100	105	110	115	120	125	130	135	140		
	50 mm										99	99	100	105	110	115	120	125	130	135	140			
									L110					L140					L165 always between 2 shutter pins					



* 20mm for hinges with adjustable crank. 20-50mm for hinges with crank fixing.

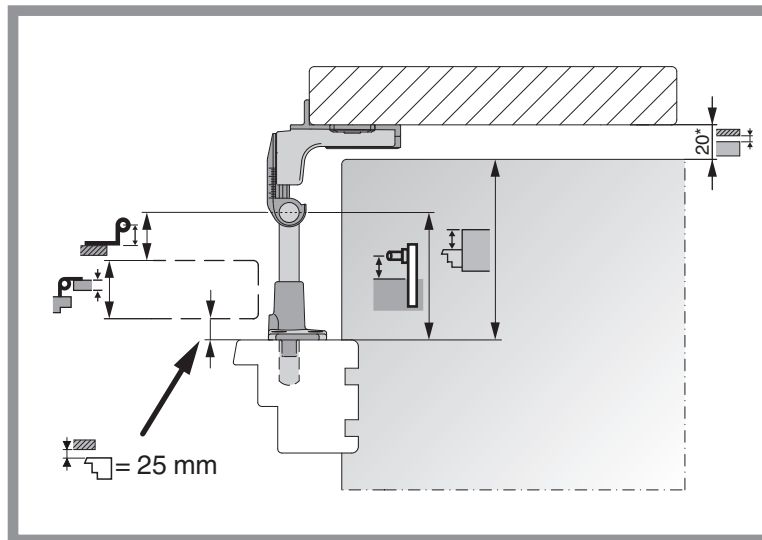
for shutter distance 25mm (pin and snap holder sizes apply for installation on timber — see Section 1.5)

Sash hinges - Crank																				Distance	25			
		Reveal-depth in mm																						
		0	10	20	30	40	50	60	70	80	90	100	110	120	130	140	150	160	170	180	190	200	210	
Shutter thickness	25 mm		0	0	0	15	15	15	20	25	30	35	40	45	50	55	60	65	70	75	80	85	90	
	30 mm		0	0	0	15	15	15	20	23	28	33	38	43	48	53	58	63	68	73	78	83		
	35 mm			0	0	0	15	15	15	20	25	30	35	40	45	50	55	60	65	70	75	80		
	40 mm				0	0	0	15	15	15	20	23	28	33	38	43	48	53	58	63	68	73		
	50 mm					0	0	0	15	15	15	20	23	28	33	38	43	48	53	58	63			
flat							flush					Gr.0			Gr.1			Gr.2			Gr.3			
Fixed Crank with lateral adjustment										Crank with lateral adjustment														



Adjustable shutter pin - Distance																							
		Reveal-depth in mm																					
		0	10	20	30	40	50	60	70	80	90	100	110	120	130	140	150	160	170	180	190	200	210
Shutter thickness	25 mm		50	50	50	65	65	65	70	75	80	85	90	95	100	105	110	115	120	125	130	135	140
	30 mm		55	55	55	70	70	70	75	78	83	88	93	98	103	108	113	118	123	128	133	138	
	35 mm			60	60	60	75	75	75	80	85	90	95	100	105	110	115	120	125	130	135	140	
	40 mm				65	65	65	80	80	80	85	88	93	98	103	108	113	118	123	128	133	138	
	50 mm					75	75	75	90	90	90	95	98	103	108	113	118	123	128	133	138		
		L75			L85			L95			L105			L115		L125		L135		L150		L165	

Shutter catch - Shutter pin distance																							
		Reveal-depth in mm																					
		0	10	20	30	40	50	60	70	80	90	100	110	120	130	140	150	160	170	180	190	200	210
Shutter thickness	25 mm								79	79	80	85	90	95	100	105	110	115	120	125	130	135	140
	30 mm									84	84	88	93	98	103	108	113	118	123	128	133	138	
	35 mm										89	89	90	95	100	105	110	115	120	125	130	135	140
	40 mm											94	94	98	103	108	113	118	123	128	133	138	
	50 mm												104	104	108	113	118	123	128	133	138		
									L110			L140				L165 always between 2 shutter pins							



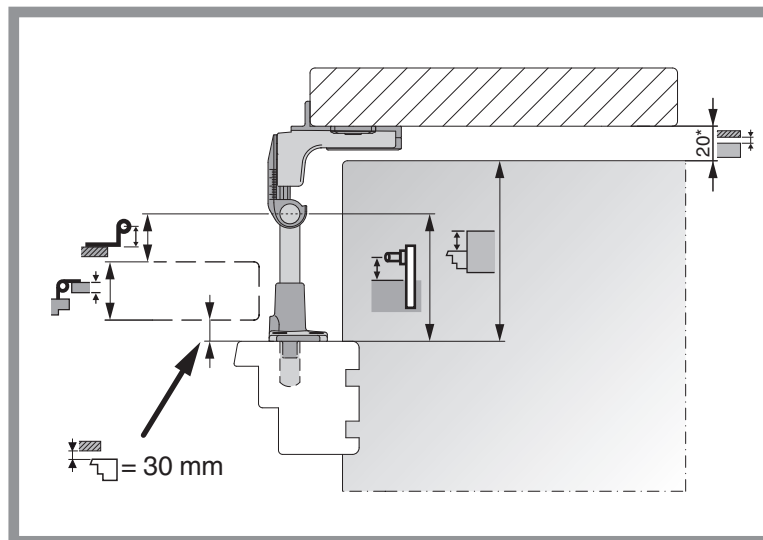
* 20mm for hinges with adjustable crank. 20-50mm for hinges with crank fixing.

for shutter distance 30mm (pin and snap holder sizes apply for installation on timber — see Section 1.5)

Sash hinges - Crank																				Distance	30			
		Reveal-depth in mm																						
		0	10	20	30	40	50	60	70	80	90	100	110	120	130	140	150	160	170	180	190	200	210	
Shutter thickness	25 mm		0	0	0	15	15	15	20	23	28	33	38	43	48	53	58	63	68	73	78	83		
	30 mm			0	0	0	15	15	15	20	23	28	33	38	43	48	53	58	63	68	73	78	83	
	35 mm				0	0	15	15	15	20	23	28	33	38	43	48	53	58	63	68	73			
	40 mm					0	0	15	15	15	20	25	30	35	40	45	50	55	60	65	70			
50 mm						0	0	0	15	15	15	20	25	30	35	40	45	50	55	60				
		flat						flush				Gr.0			Gr.1			Gr.2			Gr.3			
Fixed Crank with lateral adjustment										Crank with lateral adjustment														

Adjustable shutter pin - Distance																						
		Reveal-depth in mm																				
		0	10	20	30	40	50	60	70	80	90	100	110	120	130	140	150	160	170	180	190	200
Shutter thickness	25 mm		55	55	55	70	70	70	73	78	83	88	93	98	103	108	113	118	123	128	133	138
	30 mm			60	60	60	75	75	75	80	85	90	95	100	105	110	115	120	125	130	135	140
	35 mm				65	65	65	80	80	80	88	88	93	98	103	108	113	118	123	128	133	138
	40 mm					70	70	70	85	85	85	90	95	100	105	110	115	120	125	130	135	140
	50 mm						80	80	80	95	95	95	100	105	110	115	120	125	130	135	140	
		L75	L85	L95	L105			L115			L125			L135			L150			L165		

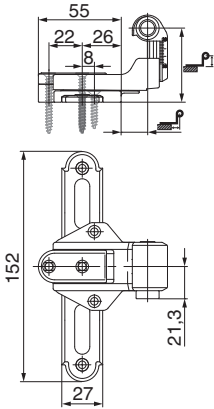
Shutter catch - Shutter pin distance																						
		Reveal-depth in mm																				
		0	10	20	30	40	50	60	70	80	90	100	110	120	130	140	150	160	170	180	190	200
Shutter thickness	25 mm							84	84	84	88	93	98	103	108	113	118	123	128	133	138	
	30 mm								89	89	90	95	100	105	110	115	120	125	130	135	140	
	35 mm								94	94	94	98	103	108	113	118	123	128	133	138		
	40 mm									99	99	100	105	110	115	120	125	130	135	140		
	50 mm										109	109	110	115	120	125	130	135	140			
								L110				L140				L165 always between 2 shutter pins						



* 20mm for hinges with adjustable crank. 20-50mm for hinges with crank fixing.

2.2 Hinges

2.2.1 Hinges without fixing tab (for flush installation)

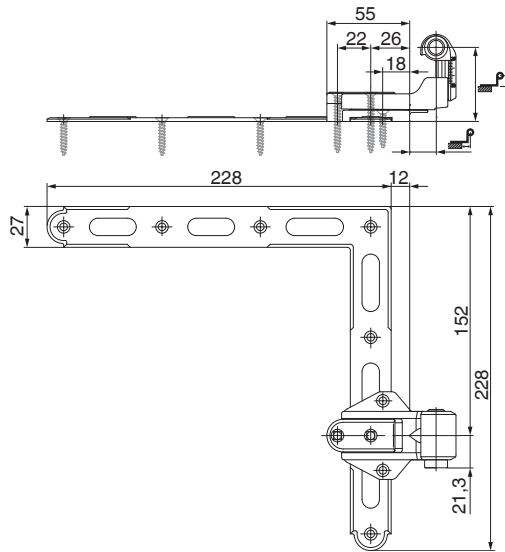


58229



2.2.1.1 BLR cross hinges with variable crank						No
black-S	size 0	60 - 78	40 - 49	16 - 19	20	58223 ¹
	size 1	80 - 116	50 - 68	16 - 19	20	58226 ¹
	size 2	120 - 170	70 - 95	16 - 19	20	58229 ¹
	size 3	150 - 190	85 - 105	16 - 19	20	58232 ¹
grey-S	size 0	60 - 78	40 - 49	16 - 19	20	210358 ¹
	size 1	80 - 116	50 - 68	16 - 19	20	210359 ¹
	size 2	120 - 170	70 - 95	16 - 19	20	210360 ¹
	size 3	150 - 190	85 - 105	16 - 19	20	210361 ¹
white-S	size 0	60 - 78	40 - 49	16 - 19	20	58225 ¹
	size 1	80 - 116	50 - 68	16 - 19	20	58228 ¹
	size 2	120 - 170	70 - 95	16 - 19	20	58231 ¹
	size 3	150 - 190	85 - 105	16 - 19	20	58234 ¹

¹ The specified reveal depths apply to flush installation. Please use the appropriate calculation formula for flush mounted installation.

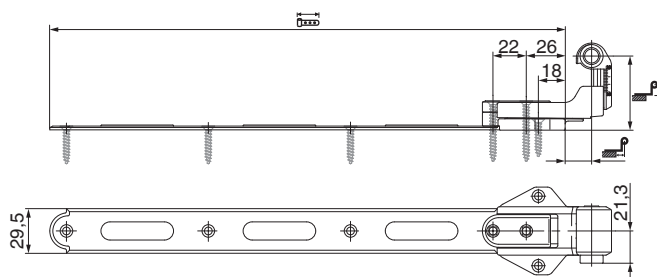


14507

2.2.1.2 BLR corner hinges with variable crank						No
black-S	size 0	60 - 78	40 - 49	16 - 19	10	14501 ^{1,2}
	size 1	80 - 116	50 - 68	16 - 19	10	14504 ^{1,2}
	size 2	120 - 170	70 - 95	16 - 19	10	14507 ^{1,2}
	size 3	150 - 190	85 - 105	16 - 19	10	14510 ^{1,2}
grey-S	size 0	60 - 78	40 - 49	16 - 19	10	102174 ^{1,2}
	size 1	80 - 116	50 - 68	16 - 19	10	102175 ^{1,2}
	size 2	120 - 170	70 - 95	16 - 19	10	102176 ^{1,2}
	size 3	150 - 190	85 - 105	16 - 19	10	102177 ^{1,2}
white-S	size 0	60 - 78	40 - 49	16 - 19	10	14503 ^{1,2}
	size 1	80 - 116	50 - 68	16 - 19	10	14506 ^{1,2}
	size 2	120 - 170	70 - 95	16 - 19	10	14509 ^{1,2}
	size 3	150 - 190	85 - 105	16 - 19	10	14512 ^{1,2}

¹ With corner hinges, a packaging unit consists of 1 piece top corner hinge and 1 piece bottom corner hinge.

² The specified reveal depths apply to flush installation. Please use the appropriate calculation formula for flush mounted installation.

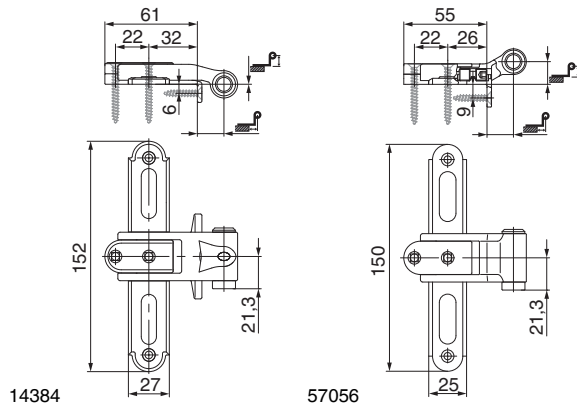


57274

2.2.1.3 BLR long hinges with variable crank						No
black-S	size 0	60 - 78	40 - 49	16 - 19	340	57272 ¹
	size 1	80 - 116	50 - 68	16 - 19	340	57273 ¹
	size 2	120 - 170	70 - 95	16 - 19	340	57274 ¹
	size 3	150 - 190	85 - 105	16 - 19	340	57275 ¹

¹ The specified reveal depths apply to flush installation. Please use the appropriate calculation formula for flush mounted installation.

2.2.2 BLR hinges with fixing tab

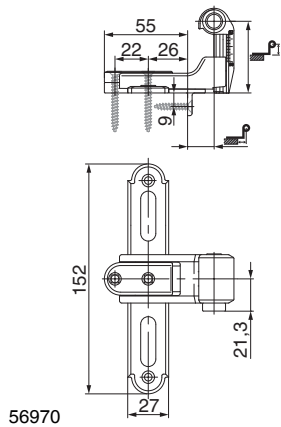


2.2.2.1 BLR cross hinges with fixed crank

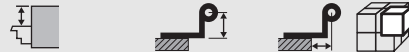


No

Color	Crank Type	0	15	18	26	32	20	No
black-S	straight	0	18	32	20			14384
	flush	15	18	26	20			57056
grey-S	straight	0	18	32	20			102137
	flush	15	18	26	20			103421
white-S	straight	0	18	32	20			10703
	flush	15	18	26	20			52686



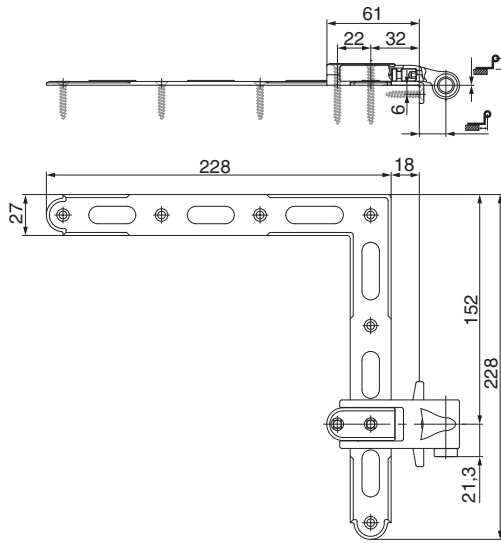
2.2.2.2 BLR cross hinges with variable crank



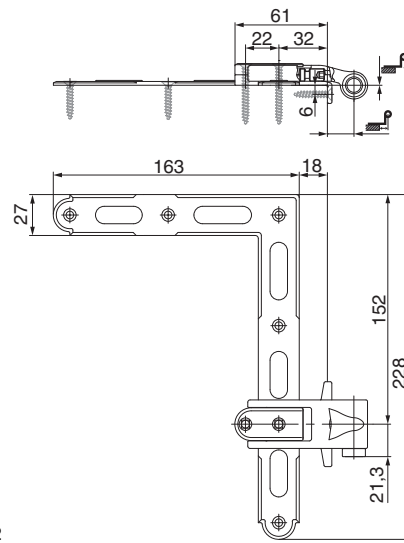
No

Color	Size	Shutter Thickness Range	0	18	20	No
black-S	size 0	50 - 74	20 - 32	18	20	208750 ¹
	size 1	74 - 110	32 - 50	18	20	56966 ¹
	size 2	100 - 150	45 - 70	18	20	56970 ¹
	size 3	140 - 210	65 - 100	18	20	56974 ¹
grey-S	size 0	50 - 74	20 - 32	18	20	210362 ¹
	size 1	74 - 110	32 - 50	18	20	210363 ¹
	size 2	100 - 150	45 - 70	18	20	210364 ¹
	size 3	140 - 210	65 - 100	18	20	210365 ¹
white-S	size 0	50 - 74	20 - 32	18	20	208754 ¹
	size 1	74 - 110	32 - 50	18	20	24988 ¹
	size 2	100 - 150	45 - 70	18	20	24991 ¹
	size 3	140 - 210	65 - 100	18	20	24994 ¹

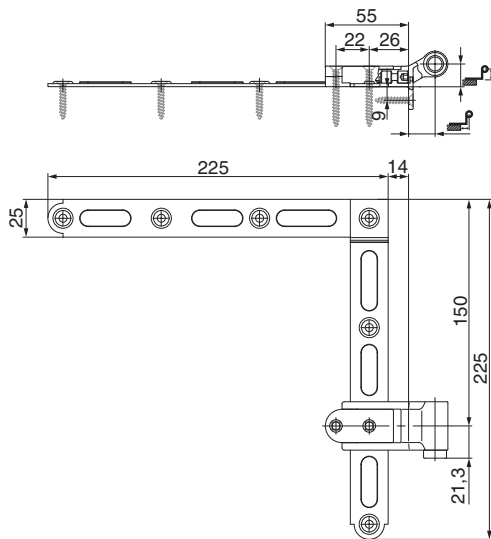
¹ The specified reveal depths apply to 30mm shutter thickness and 0mm shutter distance, see calculation formula "flush mounted" for other shutter thicknesses.



14166



101332



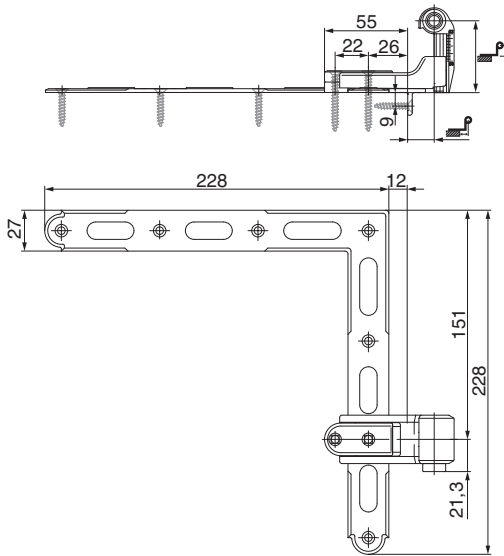
14174

2.2.2.3 BLR corner hinges with fixed crank



		0	18	32	10	No
black-S	straight	0	18	32	10	14166 ¹
	straight SL 228x163	0	18	32	10	101332 ¹
white-S	flush	15	18	26	10	14174 ¹
	straight	0	18	32	10	10706 ¹
	flush	15	18	26	10	10717 ¹

¹ With corner hinges, a packaging unit consists of 1 piece top corner hinge and 1 piece bottom corner hinge.

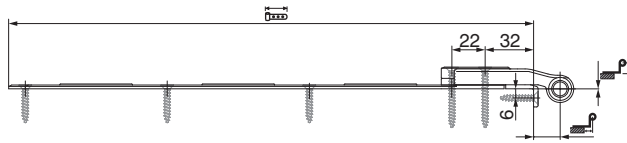


14228

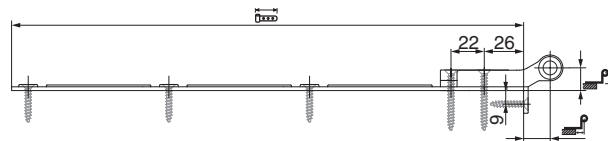
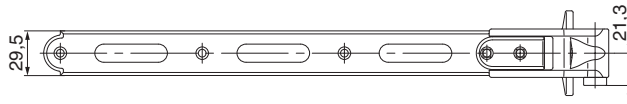
2.2.2.4 BLR corner hinges with variable crank						No
black-S	size 0	50 - 74	20 - 32	18	10	101796 ^{1,2}
	size 1	74 - 110	32 - 50	18	10	14224 ^{1,2}
	size 2	100 - 150	45 - 70	18	10	14228 ^{1,2}
	size 3	140 - 210	65 - 100	18	10	14232 ^{1,2}
grey-S	size 0	50 - 74	20 - 32	18	10	102181 ^{1,2}
	size 1	74 - 110	32 - 50	18	10	102182 ^{1,2}
	size 2	100 - 150	45 - 70	18	10	102183 ^{1,2}
	size 3	140 - 210	65 - 100	18	10	102184 ^{1,2}
white-S	size 0	50 - 74	20 - 32	18	10	101797 ^{1,2}
	size 1	74 - 110	32 - 50	18	10	13168 ^{1,2}
	size 2	100 - 150	45 - 70	18	10	13169 ^{1,2}
	size 3	140 - 210	65 - 100	18	10	13170 ^{1,2}

¹ With corner hinges, a packaging unit consists of 1 piece top corner hinge and 1 piece bottom corner hinge.

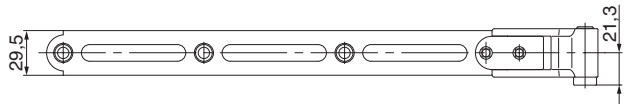
² The specified reveal depths apply to 30mm shutter thickness and 0mm shutter distance, see calculation formula "flush mounted" for other shutter thicknesses.



14034

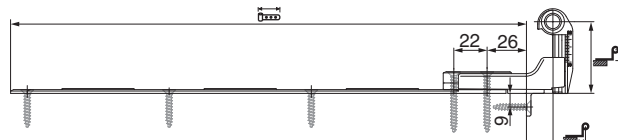


57100

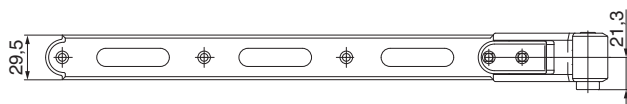


2.2.2.5 BLR long hinges with fixed crank

							No
black-S	straight	0	18	340	32	20	14034
				200	32	20	14170
	flush	15	18	250	26	20	57099
				340	26	20	57100



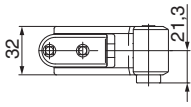
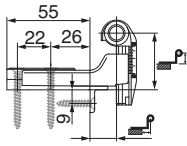
56982



2.2.2.6 BLR long hinges with variable crank

							No
black-S	size 0	50 - 74	20 - 32	18	340	20	208751¹
					200	20	208752¹
	size 1	74 - 110	32 - 50	18	340	20	56978¹
					200	20	56990¹
	size 2	100 - 150	45 - 70	18	340	20	56982¹
					200	20	56994¹
	size 3	140 - 210	65 - 100	18	340	20	56986¹
					200	20	56998¹

¹ The specified reveal depths apply to 30mm shutter thickness and 0mm shutter distance, see calculation formula "flush mounted" for other shutter thicknesses.



57051

2.2.2.7 BLR short hinges with variable crank



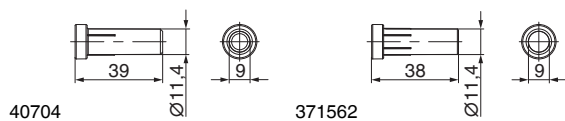
No

black-S	size 0	50 - 74	20 - 32	18	20	208753¹
	size 1	74 - 100	32 - 50	18	20	57050¹
	size 2	100 - 150	45 - 70	18	20	57051¹
	size 3	140 - 210	65 - 100	18	20	57052¹

¹ The specified reveal depths apply to 30mm shutter thickness and 0mm shutter distance, see calculation formula "flush mounted" for other shutter thicknesses.



2.2.3 Accessories for shutter hinges



2.2.3.1 BLR sleeves and cover caps



No

black	closed hinge regulator sleeve	100	40704
	open hinge regulator sleeve	100	371562
	short cover cap	100	41578
grey	closed hinge regulator sleeve	100	465210
	short cover cap	100	465211
white	closed hinge regulator sleeve	100	41149
	short cover cap	100	42845



13327

2.2.3.2 BLR safety levers

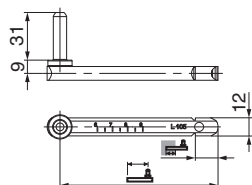


No

black	right	20	13328
	left	20	13327
grey	right	20	212599
	left	20	212598
white	right	20	13330
	left	20	13329

2.3 Shutter pins

2.3.1 BLR threaded surface mounted frame hinges

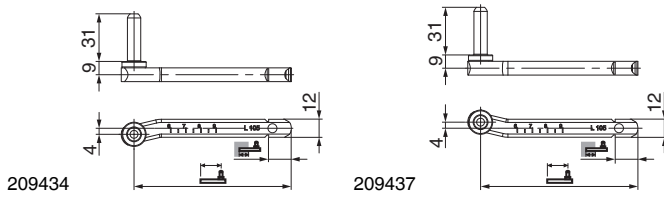


209422



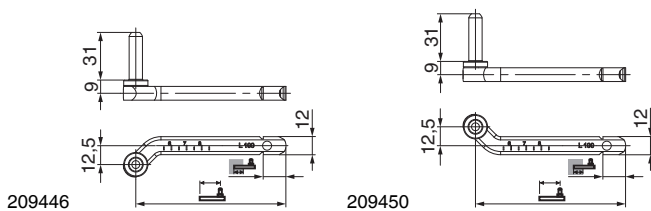
2.3.1.1 BLR threaded surface mounted frame hinges straight without lateral adjustment								No
black-S	L59	30 - 44	15	59	20	20	209935¹	
	L75	30 - 60	15	75	20	20	209936¹	
	L85	30 - 70	15	85	20	20	209422¹	
	L95	45 - 80	15	95	35	20	209937¹	
	L105	50 - 90	15	105	35	20	209423¹	
	L115	65 - 100	15	115	55	20	209938¹	
	L125	70 - 110	15	125	55	20	209471¹	
	L135	80 - 120	15	135	55	20	209424¹	
	L150	95 - 130	20	150	55	20	209939¹	
	L165	110 - 140	25	165	55	20	209425¹	
grey-S	L59	30 - 44	15	59	20	20	210402¹	
	L75	30 - 60	15	75	20	20	210403¹	
	L85	30 - 70	15	85	20	20	210401¹	
	L95	45 - 80	15	95	35	20	210404¹	
	L105	50 - 90	15	105	35	20	210409¹	
	L115	65 - 100	15	115	55	20	210405¹	
	L125	70 - 110	15	125	55	20	210411¹	
	L135	80 - 120	15	135	55	20	210410¹	
	L150	95 - 130	20	150	55	20	210406¹	
	L165	110 - 140	25	165	55	20	210412¹	
white-S	L59	30 - 44	15	59	20	20	209942¹	
	L75	30 - 60	15	75	20	20	209943¹	
	L85	30 - 70	15	85	20	20	209430¹	
	L95	45 - 80	15	95	35	20	209944¹	
	L105	50 - 90	15	105	35	20	209431¹	
	L115	65 - 100	15	115	55	20	209945¹	
	L125	70 - 110	15	125	55	20	209474¹	
	L135	80 - 120	15	135	55	20	209432¹	
	L150	95 - 130	20	150	55	20	209946¹	
	L165	110 - 140	25	165	55	20	209433¹	

¹ Given minimum shutter pin insertion depths apply only to installation on timber (refer to section 1.5!)



2.3.1.2 BLR threaded surface mounted frame hinges with crank 4mm									No
black-S	left	L85	40 - 70	15	85	20	20	209434¹	
		L105	55 - 90	15	105	35	20	209435¹	
		L135	80 - 120	15	135	55	20	209436¹	
	right	L165	110 - 140	25	165	55	20	215469¹	
		L85	40 - 70	15	85	20	20	209437¹	
		L105	55 - 90	15	105	35	20	209438¹	
		L135	80 - 120	15	135	55	20	209439¹	
		L165	110 - 140	25	165	55	20	215468¹	

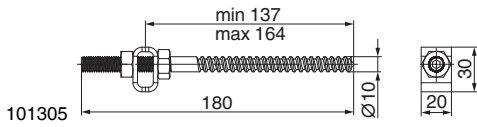
¹ Given minimum shutter pin insertion depths apply only to installation on timber (refer to section 1.5)!



2.3.1.3 BLR threaded surface mounted frame hinges with crank 12.5mm									No
black-S	left	L80	40 - 65	15	80	20	20	209446¹	
		L100	55 - 85	15	100	35	20	209447¹	
		L130	75 - 115	15	130	55	20	209448¹	
	right	L150	95 - 130	20	150	55	20	209449¹	
		L80	40 - 65	15	80	20	20	209450¹	
		L100	55 - 85	15	100	35	20	209451¹	
		L130	75 - 115	15	130	55	20	209452¹	
		L150	95 - 130	20	150	55	20	209453¹	
white-S	left	L100	55 - 85	15	100	35	20	209463¹	
		L130	75 - 115	15	130	55	20	209464¹	
	right	L100	55 - 85	15	100	35	20	209467¹	
		L130	75 - 115	15	130	55	20	209468¹	

¹ Given minimum shutter pin insertion depths apply only to installation on timber (refer to section 1.5)!

2.3.2 Accessories for shutter pins



101305

2.3.2.1 BLR shutter pin support

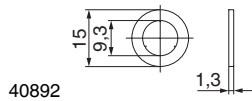


No

black-S	shutter pin support, length 180mm	20	101305¹
---------	-----------------------------------	----	---------------------------



¹ These parts are excluded from the 10-year surface guarantee.



40892

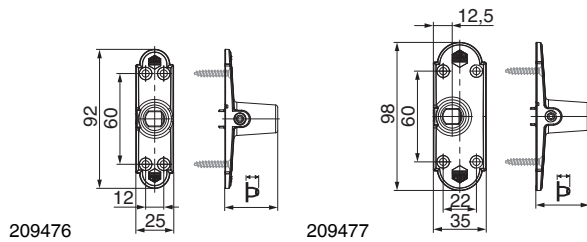
2.3.2.2 Spacers for shutter pin



No

black	spacer BLR, for shutter pin	Ø 15mm	1,3	100	40892
grey	spacer BLR, for shutter pin	Ø 15mm	1,3	100	361316

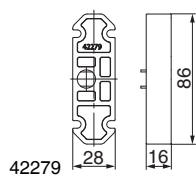
2.4 BLR shutter pin holders



2.4.1 BLR shutter pin holders						No
black-S	for adjustable shutter pin up to	L85	25	20	20	209475
		L105	25	35	20	209476¹
		L165	25	55	20	209479¹
		L105	35	35	20	209477
		L165	35	55	20	209478
grey-S	for adjustable shutter pin up to	L85	25	20	20	210353
		L105	25	35	20	210354¹
		L165	25	55	20	210357¹
		L105	35	35	20	210355
		L165	35	55	20	210356
white-S	for adjustable shutter pin up to	L85	25	20	20	209485
		L105	25	35	20	209486¹
		L165	25	55	20	209488¹
		L105	35	35	20	209487
		L165	35	55	20	209489

¹ Not suitable for use with shutter catches and crank openers.

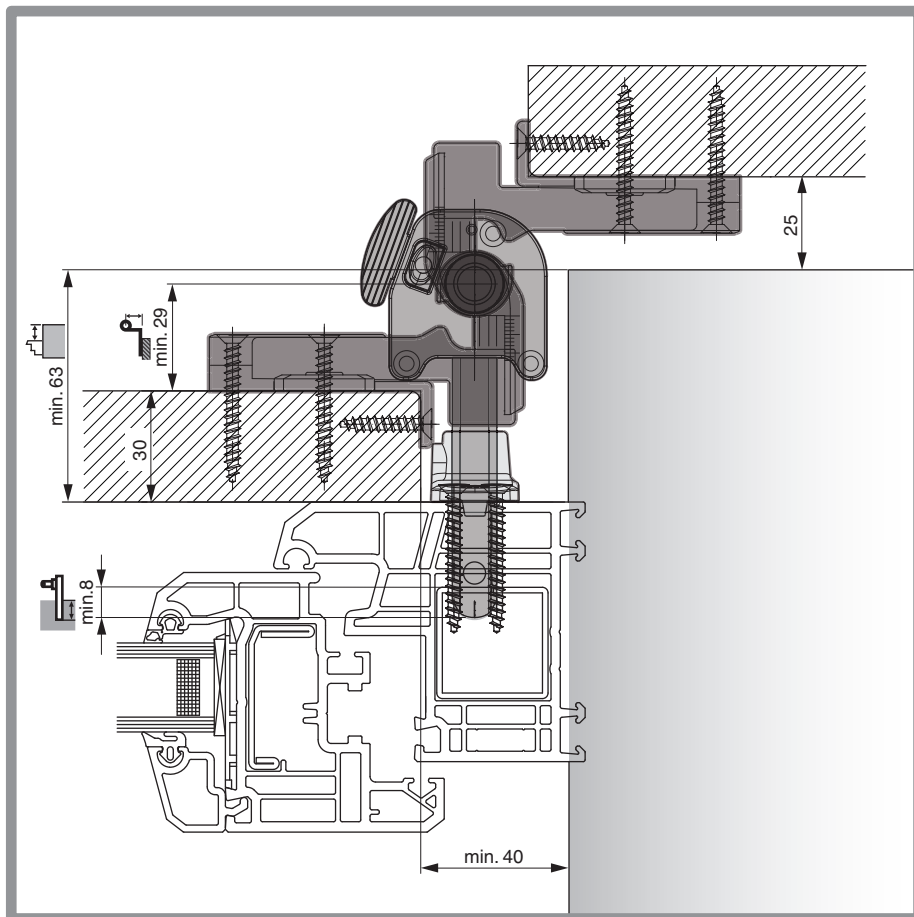
2.4.2 Accessories for shutter pin holders



2.4.2.1 Packer for shutter pin holder for timber-aluminium windows			No
packer shutter pin holder 16mm high for timber-alu windows black		100	42279

2.5 BLR snap holders

2.5.1 Installation example



Calculation minimum reveal depth

$$2 \times \text{P}_i (2 \times 29) 58\text{mm}$$

$$+ 30\text{mm}$$

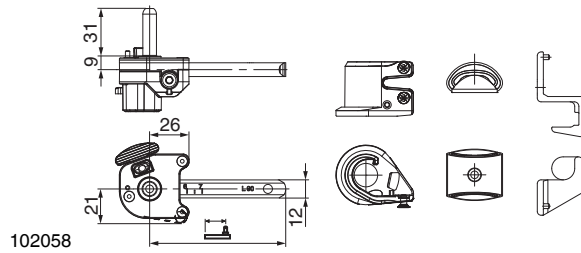
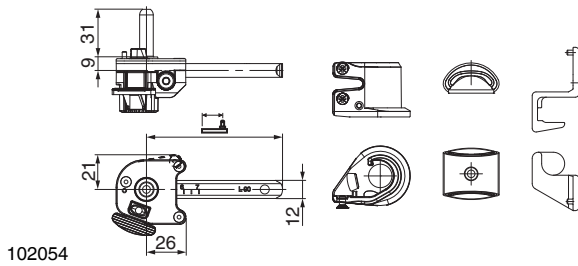
$$- 25\text{mm}$$

$$= 63\text{mm Minimum reveal depth}$$

Application ranges for snap holders for pin distance and bracket width

55-70mm		25mm	20mm
70-90mm	25mm	35mm	35mm
90-140mm	25mm	35mm	55mm

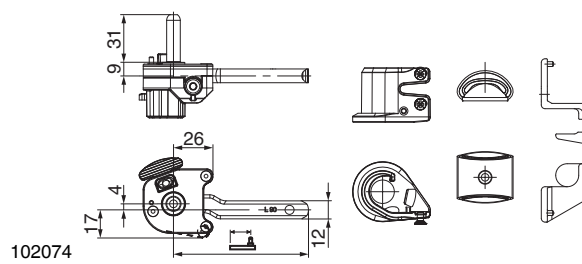
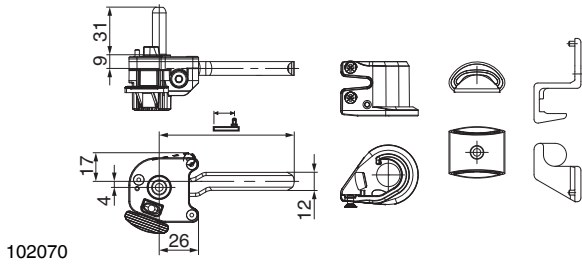
The minimum reveal depth shown in the above example applies for installations with shutter thicknesses of 30mm, 25mm distance to wall and installation without clearance to frame.



2.5.2 BLR snap holders straight						No	
black-S	left	L90	55 - 70	90	20	102053¹	
		L110	55 - 90	110	20	102054¹	
		L140	85 - 120	140	20	102055¹	
		L165	110 - 140	165	20	102056¹	
	right	L90	55 - 70	90	20	102057¹	
		L110	55 - 90	110	20	102058¹	
		L140	85 - 120	140	20	102059¹	
		L165	110 - 140	165	20	102060¹	
	grey-S	left	L90	55 - 70	90	20	102185¹
			L110	55 - 90	110	20	102186¹
			L140	85 - 120	140	20	102187¹
			L165	110 - 140	165	20	102188¹
right		L90	55 - 70	90	20	102189¹	
		L110	55 - 90	110	20	102190¹	
		L140	85 - 120	140	20	102191¹	
		L165	110 - 140	165	20	102192¹	
white-S		left	L90	55 - 70	90	20	102061¹
			L110	55 - 90	110	20	102062¹
			L140	85 - 120	140	20	102063¹
			L165	110 - 140	165	20	102064¹
	right	L90	55 - 70	90	20	102065¹	
		L110	55 - 90	110	20	102066¹	
		L140	85 - 120	140	20	102067¹	
		L165	110 - 140	165	20	102068¹	

¹ **CAUTION:** Shutters with snap holders have a limited storm resistance. The information in chapter 1.3 Wind Resistance must be observed!

- At peak wind speeds over 60km/h, the shutters have to be closed or locked!
- max. shutter width 600mm
- max. folding shutter width 2 x 600mm
- max. height 2,100mm
- max. sash weight 20kg (applies to folding shutters for the total weight of both sashes)
- Use only in combination with 35mm wide shutter pin holder, except for shutter pin distances of ≤ 70 mm.
- The buffer stop must always be installed. When the buffer stop is used, make sure that the facade has sufficient compression strength (e.g. for thermal insulation)!
- A safety catch must be installed on every sash!
- DO NOT use a snap holder L165 as a load-bearing shutter pin!
- **CAUTION:** On multi-sash shutters with an internal rotation-point, no snap holders may be used (risk of falling out during storm)!



102070

102074

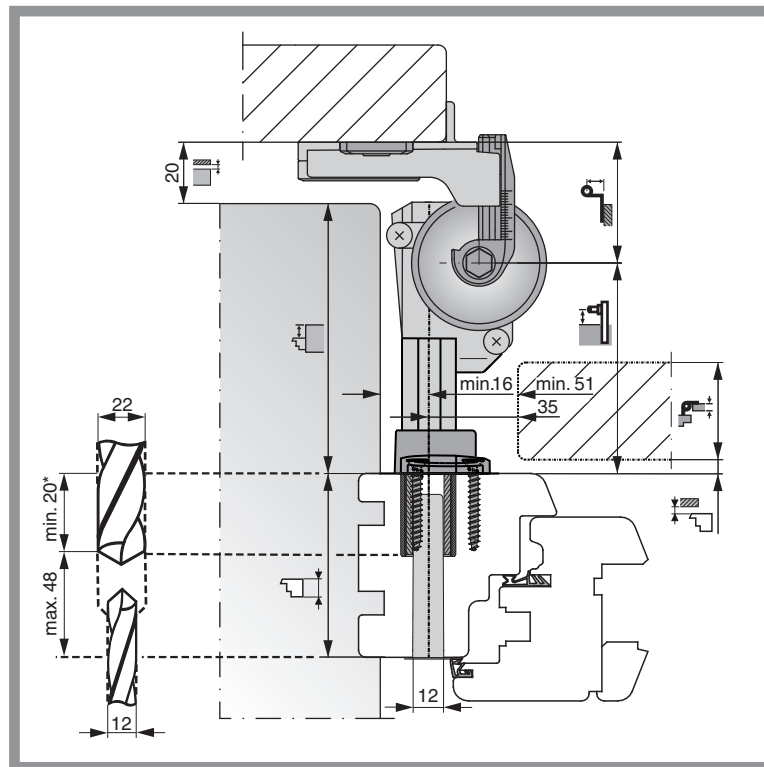
2.5.3 BLR snap holders with crank 4mm					No	
black-S	left	L90	68 - 70	90	20	102069¹
		L110	70 - 90	110	20	102070¹
		L140	90 - 120	140	20	102071¹
		L165	110 - 140	165	20	102072¹
	right	L90	68 - 70	90	20	102073¹
		L110	70 - 90	110	20	102074¹
		L140	90 - 120	140	20	102075¹
		L165	110 - 140	165	20	102076¹

¹ **CAUTION:** Shutters with snap holders have a limited storm resistance. The information in chapter 1.3 Wind Resistance must be observed!

- At peak wind speeds over 60km/h, the shutters have to be closed or locked!
- max. shutter width 600mm
- max. folding shutter width 2 x 600mm
- max. height 2,100mm
- max. sash weight 20kg (applies to folding shutters for the total weight of both sashes)
- Use only in combination with 35mm wide shutter pin holder, except for shutter pin distances of ≤ 70mm.
- The buffer stop must always be installed. When the buffer stop is used, make sure that the facade has sufficient compression strength (e.g. for thermal insulation)!
- A safety catch must be installed on every sash!
- DO NOT use a snap holder L165 as a load-bearing shutter pin!
- **CAUTION:** On multi-sash shutters with an internal rotation-point, no snap holders may be used (risk of falling out during storm)!

2.6 Crank openers

2.6.1 Installation example with hinge



Calculation shutter pin distance

	105mm
	+ 20mm
	+ 30mm
	+ 17mm
<hr/>	
=	172mm : 2 = 86mm

→ L 105 (60-90mm)

Calculation hinge crank

	105mm
	+ 20mm
	- 30mm
	- 17mm
<hr/>	
=	78mm : 2 = 39mm

→ Gr. 1 (32-50 mm)

Calculation drive gear length

	86mm
Depth (min. 20mm) + 40mm*	
<hr/>	
=	126mm Drive gear length

→ Drive gear L 130

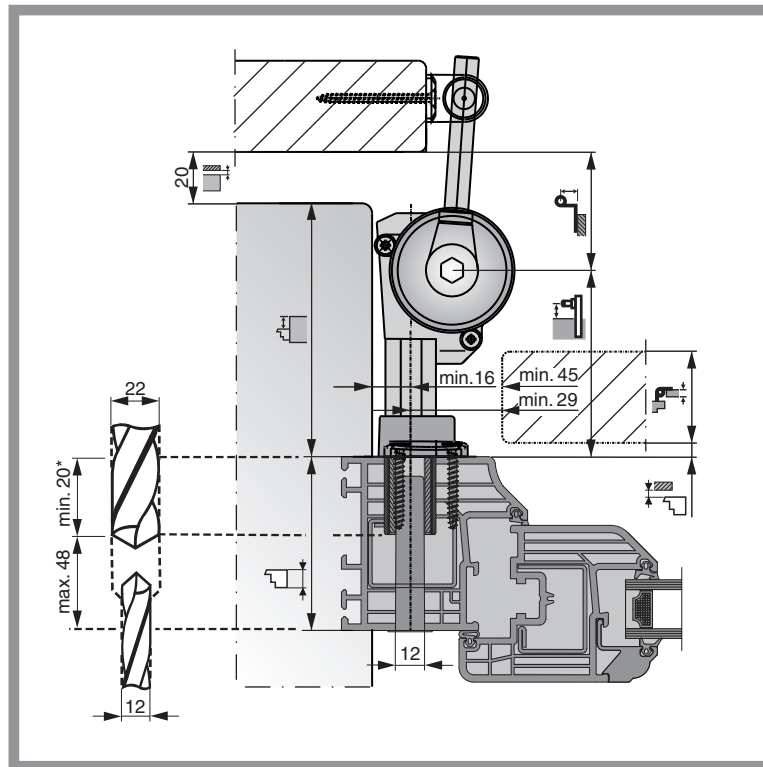
* Greater depth improves stability.

→ Cut the drive pipe, insulation and rotary arm as necessary!

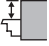
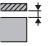

Information on hardware selection:


- The pivot points of the hinge and the inner opener hinge must be exactly in line. This requires a precise drilling and adjustment.
- Storm resistance is higher on the inner opener hinge than on the rotary arm.
- For doors with inner openers, the inner opener hinge can be inserted between two load-bearing hinges. A third supporting hinge is not required.
- The shutter pin holder for the threaded surface mounted frame hinge must be 35mm wide.
- A safety catch must be installed on every sash.
- The information in chapter 1.3 Wind resistance must be observed!


2.6.2 Installation example with rotary arm




Calculation shutter pin distance

	105mm
	+ 20mm
	+ 30mm
	+ 17mm

= 172mm : 2 = 86mm 

→ L 105 (60-90mm) 

Calculation drive gear length

	86mm
Depth (min. 20mm) + 40mm*	
<hr/>	
=	126mm Drive gear length

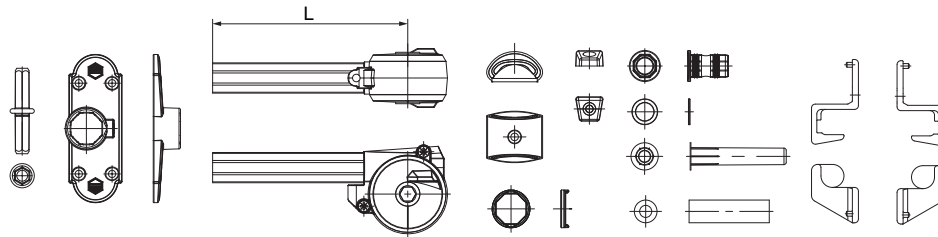
→ Drive gear L 130

* Greater depth improves stability.

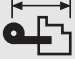

→ Cut the drive pipe, insulation and rotary arm as necessary!

Information on hardware selection:

- The pivot points of the hinge and the rotary arm do not have to be exactly in line. Precise drilling and adjustment is not required. Minor deviations are allowed.
- Storm resistance is lower for the rotary arm than for the inner opener hinge.
- For doors with rotary arm, at least three load-bearing hinges must be used in addition to the inner opener. In the middle, a third supporting hinge is required.
- The gap between the hinge and rotary arm should be as small as possible, and maximum 200mm.
- The shutter pin holder for the threaded surface mounted frame hinge must be 35mm wide.
- A safety catch must be installed on every sash.
- The information in chapter 1.3 Wind resistance must be observed!



105299

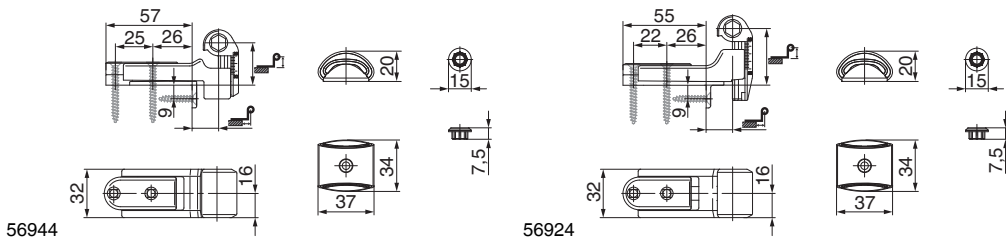
2.6.3 Drive gears for V2 crank openers with octagon				No
black-S	L130	103 - 180	10	105299 ^{1,2}
	L210	103 - 260	10	105300 ^{1,2}
	L340	103 - 390	10	105301 ^{1,2}
grey-S	L130	103 - 180	10	105305 ^{1,2}
	L210	103 - 260	10	105306 ^{1,2}
white-S	L130	103 - 180	10	105303 ^{1,2}
	L210	103 - 260	10	105304 ^{1,2}

¹ When using shutter hardware for special non-standard designs all responsibility for correct use of hardware parts and safety of the complete design lies entirely with the designer and manufacturer of the special design solution.

² **CAUTION:** Shutters with crank opener have a limited storm resistance. The information in chapter 1.3 Wind resistance must be observed!

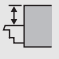

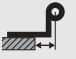

- At peak wind speeds over 60km/h, the shutters have to be closed or locked!
- max. shutter width 600mm
- max. folding shutter width 2 x 600mm
- max. height 2,100mm
- max. sash weight 20kg (applies to folding shutters for the total weight of both sashes)
- Folding shutters can only be installed with an internal rotation-point and with folding shutter rod.
- Use threaded surface mounted frame hinge only in combination with 35mm wide shutter pin holder.
- The buffer stop must always be installed. When the buffer stop is used, make sure that the facade has sufficient compression strength (e.g. for thermal insulation)!
- A safety catch must be installed on every sash!

2.6.4 Hinges for crank openers



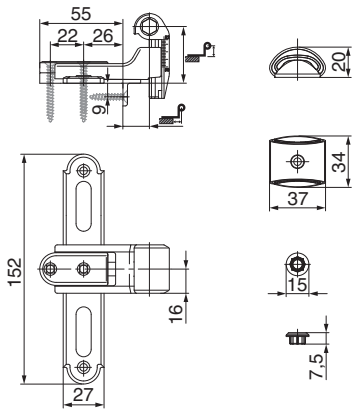
56944

56924

2.6.4.1 Short hinges for crank openers						No
black-S	size 0	58 - 74	24 - 32	18	10	56944 ^{1,2}
	size 1	74 - 110	32 - 50	18	10	56921 ^{1,2}
	size 2	100 - 150	45 - 70	18	10	56924 ^{1,2}
	size 3	140 - 210	65 - 100	18	10	56928 ^{1,2}
grey-S	size 1	74 - 110	32 - 50	18	10	210066 ^{1,2}
	size 2	100 - 150	45 - 70	18	10	210067 ^{1,2}
white-S	size 0	58 - 74	24 - 32	18	10	22691 ^{1,2}
	size 1	74 - 110	32 - 50	18	10	22060 ^{1,2}
	size 2	100 - 150	45 - 70	18	10	22063 ^{1,2}
	size 3	140 - 210	65 - 100	18	10	22066 ^{1,2}

¹ The specified reveal depths apply to 30mm shutter thickness and 0mm shutter distance, see calculation formula "flush mounted" for other shutter thicknesses.

² These shutter hinges may not be used as a load-bearing element!



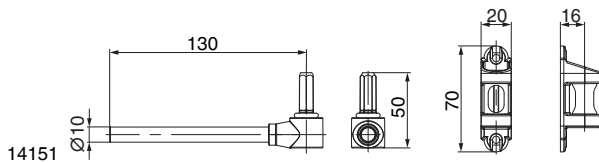
56936

2.6.4.2 Cross hinges for crank openers

						No
black-S	size 0	58 - 74	24 - 32	18	10	101448 ^{1,2}
	size 1	74 - 110	32 - 50	18	10	56932 ^{1,2}
	size 2	100 - 150	45 - 70	18	10	56936 ^{1,2}
	size 3	140 - 210	65 - 100	18	10	56941 ^{1,2}
grey-S	size 0	58 - 74	24 - 32	18	10	102860 ^{1,2}

¹ The specified reveal depths apply to 30mm shutter thickness and 0mm shutter distance, see calculation formula "flush mounted" for other shutter thicknesses.

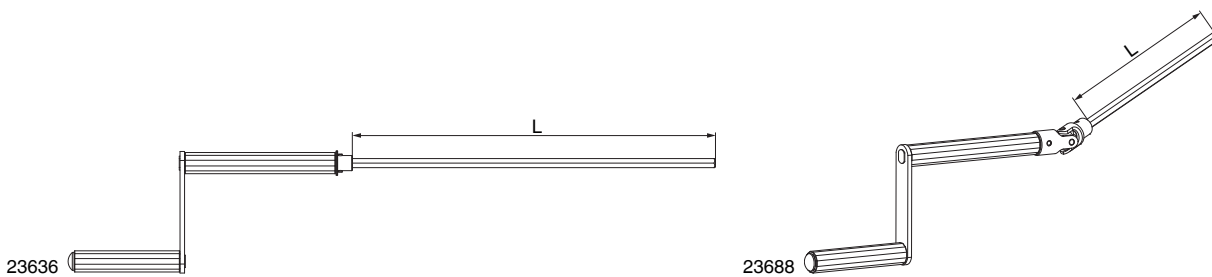
² These shutter hinges may not be used as a load-bearing element!



14151

2.6.5 Rotary arms for crank openers

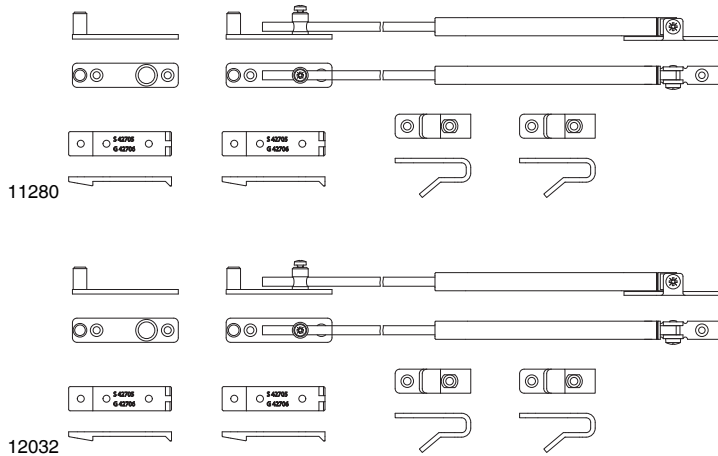
			No
black-S		20	14151
white-S		10	102653



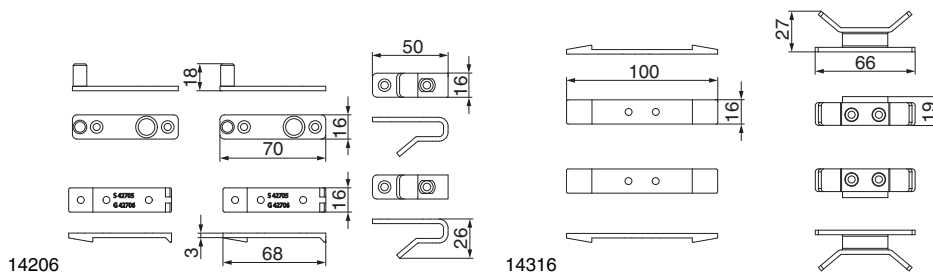
2.6.6 Crank arms

		L		No
rigid		240	10	23636
		400	10	23859
		500	10	27438
		950	10	212589
with u-joint		160	10	23688
		240	10	23635

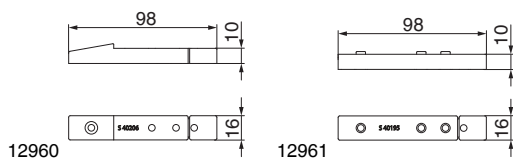
2.6.7 Folding shutter rods for crank openers



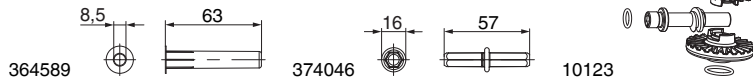
2.6.7.1 Folding shutter rods			No
black-S	folding shutter rods for crank opener for multi-sash shutters	10	11280
white-S	folding shutter rods for crank opener for multi-sash shutters	10	12546
black-S	folding shutter rods for crank opener, 90° opening for multi-sash shutters	10	12032




2.6.7.2 Locking hooks for folding shutter rods			No
black-S	2-sash locking hook	10	14206
grey-S	2-sash locking hook	10	102166
black-S	4-sash locking hook with internal pivot point in pairs	10	14316
white-S	4-sash locking hook with internal pivot point in pairs	10	14801



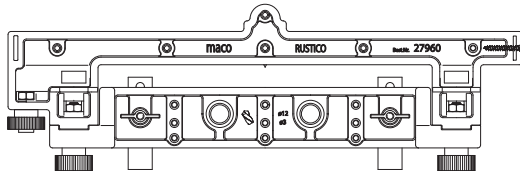
2.6.7.3 Packers for locking hooks			No
black	for locking hook with internal pivot point for 10mm gap	10	12960
	for locking hook with internal pivot point for 20mm and 30mm gap	10	12961
white	for locking hook with internal pivot point for 10mm gap	20	44352
	for locking hook with internal pivot point for 20mm and 30mm gap	20	44353



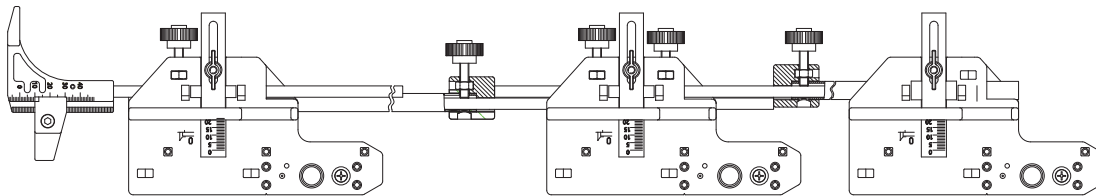
2.6.8 Accessories and single components for crank opener drive gears		No
crank opener cover white	10	41902
crank opener cover grey	20	364589
drive gear bolt Ø 16 x 59 black	10	374046
transmission set for crank opener	50	10123
Insulation for loading inner opener	20	364189
grease gun for crank opener 20ml	10	362833
repair cover for crank opener black-S	20	367887
replacement cover for pivot arm black-S	20	369863



2.7 Jigs



27960



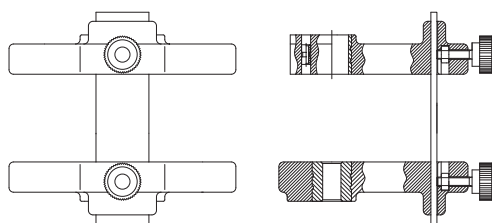
27958

2.7.1 Jigs for BLR hardware range



Nº

jig	BLR	for dual installation	hinge with fixing tab, shutter pin holder and straight shutter pin, on frame	1	27960
		for separate installation	hinge with fixing tab, shutter pin holder and straight shutter pin, on frame	1	27958
stop piece			42 high for jig 27958	10	370594
jig	BLR	for dual installation	hinge without fixing tab and 4mm cranked shutter pin, on frame	1	201851
			hinge without fixing tab and 12.5mm cranked shutter pin, on frame	1	28724
clamp for drilling jig		for separate installation on frame		1	28379



102888

2.7.2 Jigs for crank openers



Nº

jig	BLR	for dual installation	crank opener with hinge (distance 35)	1	102888
			crank opener with rotary arm (distance min. 29)	1	205649
		for separate installation	crank opener with hinge or rotary arm	1	102889



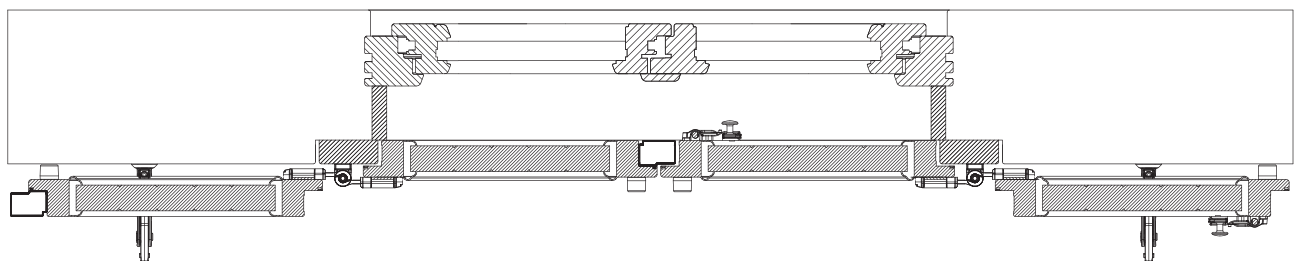
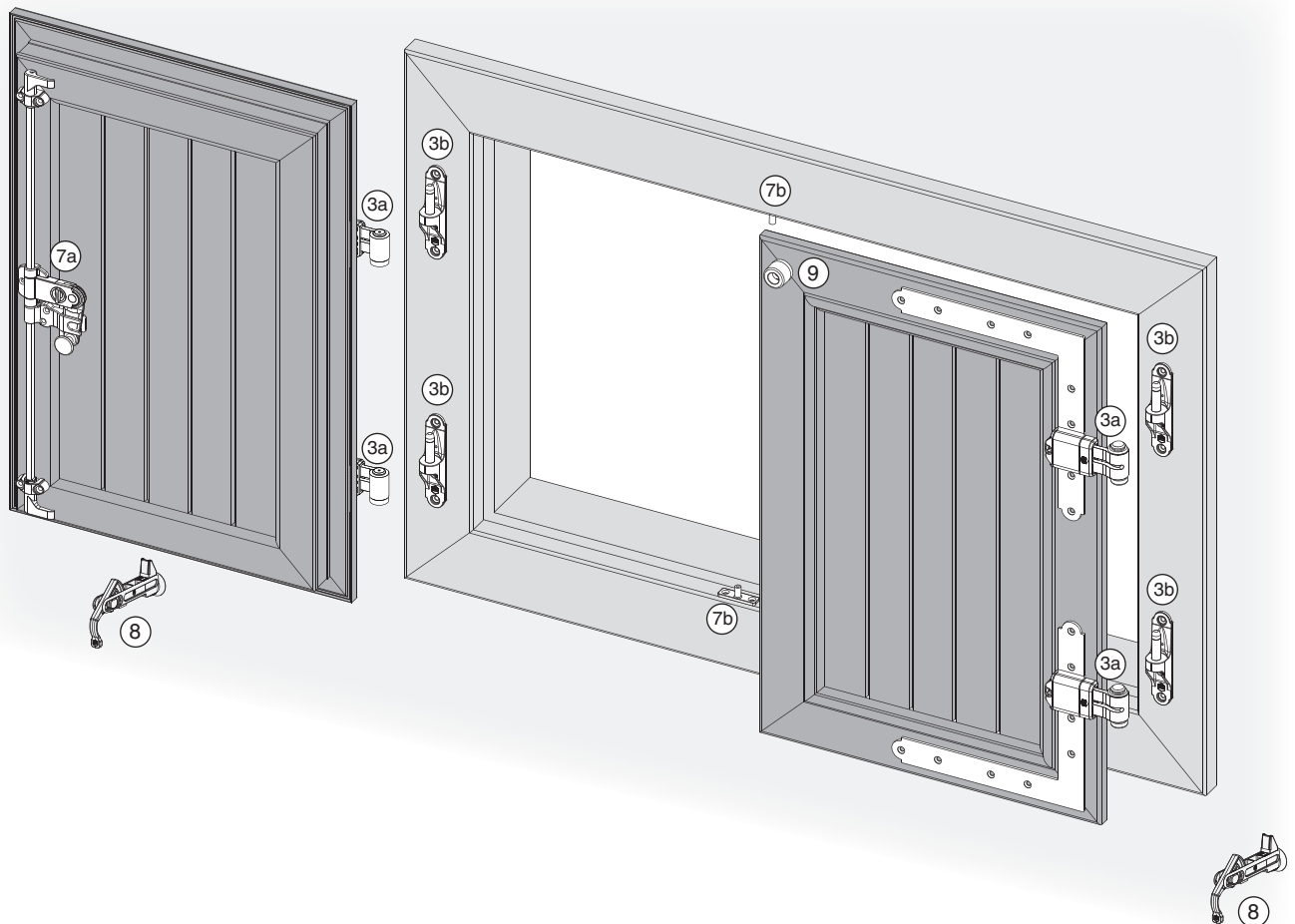
3 Wall cladding installation

3.1	Information for hardware selection	68
3.1.1	2-sashed	68
3.1.2	4-sashed with internal pivot point	70
3.2	Hinges	72
3.2.1	Hinges without fixing tab	72
3.2.2	BLR hinges with fixing tab	75
3.2.3	MV hinges without lateral adjustment	78
3.2.4	Accessories for shutter hinges	80
3.3	Shutter pins	81
3.3.1	Surface mounted frame hinges	81
3.3.2	Accessories for shutter pins	83
3.4	Jigs	84
3.4.1	Jigs for surface mounted frame hinges	84

3 Wall cladding installation

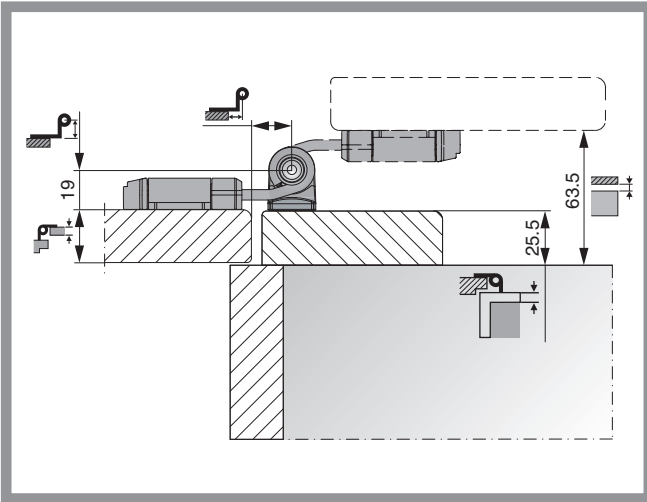
3.1 Information for hardware selection

3.1.1 2-sashed



Selection guide		Page
3a	3.2.1.2 MMV corner hinges	→73
3b	3.3.1.1.1MMV surface mounted frame hinges	→81
7a	7.1.3 2F shutter locks	→120
7b	7.3 Striker pin brackets for frame installation	→124
8	8 Shutter catches	→138
9	9.2 Buffer stops	→152

3.1.1.1 Flush

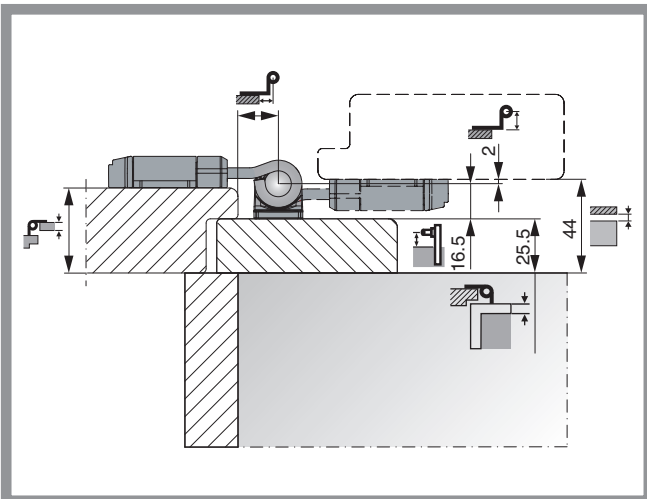


Calculation distance to wall

$$\begin{aligned}
 & 25,5\text{mm} \\
 & 2 \times 38,0\text{mm} \\
 \hline
 & = 63,5\text{mm}
 \end{aligned}$$



3.1.1.2 Shutter with rebate



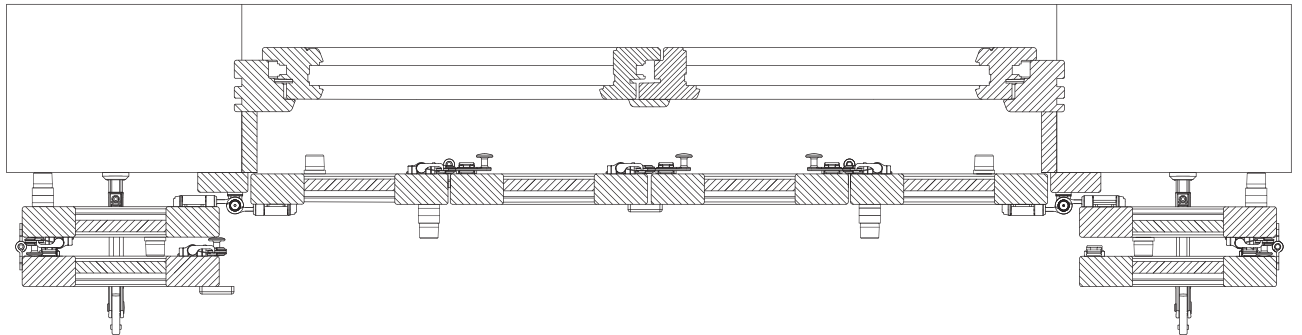
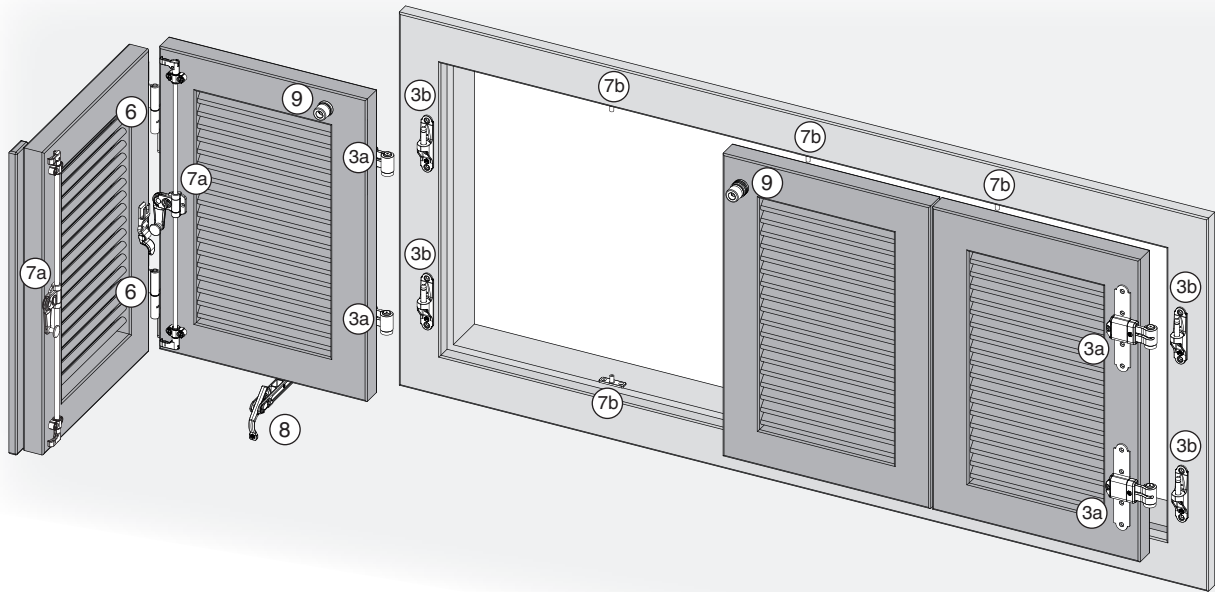
Calculation cladding thickness

$$\begin{aligned}
 & 40,0\text{mm} \\
 & + 2,0\text{mm} \\
 & - 16,5\text{mm} \\
 & - 0,0\text{mm Packer surface-mounted frame hinge} \\
 \hline
 & = 25,5\text{mm}
 \end{aligned}$$

Calculation distance to wall

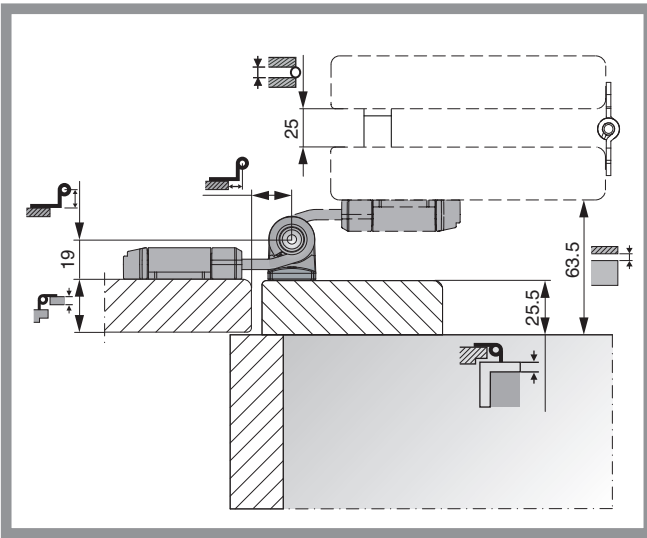
$$\begin{aligned}
 & 25,5\text{mm} \\
 & + 16,5\text{mm} \\
 & + 2,0\text{mm} \\
 \hline
 & = 44,0\text{mm}
 \end{aligned}$$

3.1.2 4-sashed with internal pivot point



Selection guide		Page
3a	3.2.1.1 MMV cross hinges	→72
3b	3.3.1.1.1MMV surface mounted frame hinges	→81
6	6.1.6 Prima MMV centre hinges	→111
7a	7.1.3 2F shutter locks	→120
7b	7.3 Striker pin brackets for frame installation	→124
8	8.1.3 Shutter catches "Classic" model with cover disk without fixing bolts	→140
9	9.2 Buffer stops	→152

3.1.2.1 Flush

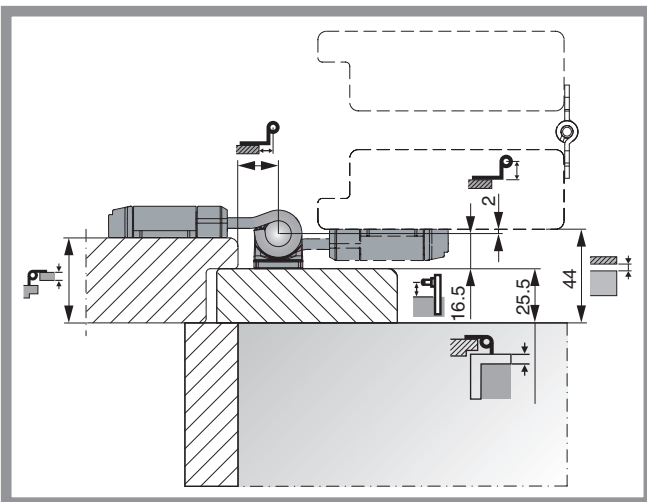


Calculation distance to wall

$$\begin{aligned}
 & 25,5\text{mm} \\
 & 2 \times 19,0\text{mm} \quad +38,0\text{mm} \\
 \hline
 & = 63,5\text{mm}
 \end{aligned}$$



3.1.2.2 Shutter with rebate



Calculation cladding thickness

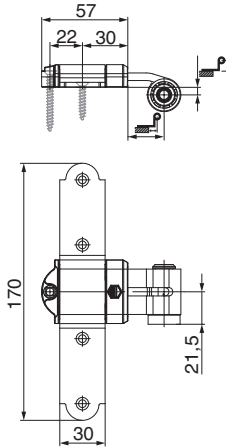
$$\begin{aligned}
 & 40,0\text{mm} \\
 & + 2,0\text{mm} \\
 & - 16,5\text{mm} \\
 & - 0,0\text{mm Packer surface-mounted frame hinge} \\
 \hline
 & = 25,5\text{mm}
 \end{aligned}$$

Calculation distance to wall

$$\begin{aligned}
 & 25,5\text{mm} \\
 & + 16,5\text{mm} \\
 & + 2,0\text{mm} \\
 \hline
 & = 44,0\text{mm}
 \end{aligned}$$

3.2 Hinges

3.2.1 Hinges without fixing tab



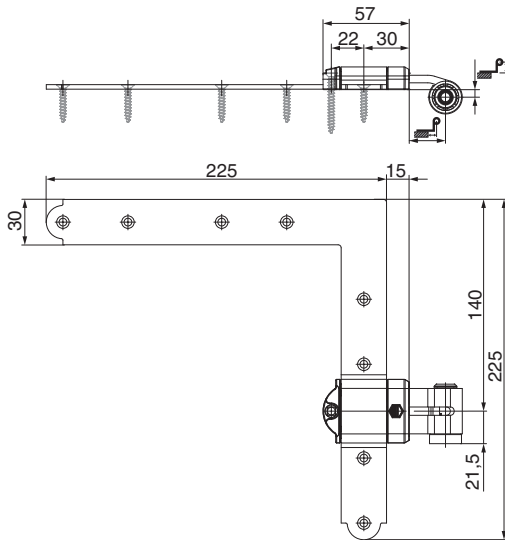
101449

3.2.1.1 MMV cross hinges



No

black-S	-5	16 - 24	20	101449
		37 - 45	20	101450
	2	16 - 24	20	100000
		37 - 45	20	100005
	7	16 - 24	20	100001
		37 - 45	20	100006
	12	16 - 24	20	100002
		37 - 45	20	100007
	19	16 - 24	20	100003
		37 - 45	20	100008
grey-S	-5	16 - 24	20	102636
		37 - 45	20	102480
	2	16 - 24	20	102342
		37 - 45	20	102446
	7	16 - 24	20	102253
		37 - 45	20	102255
	12	16 - 24	20	102509
		37 - 45	20	102511
	19	16 - 24	20	102510
		37 - 45	20	102512
white-S	-5	16 - 24	20	102037
		37 - 45	20	102038
	2	16 - 24	20	101359
		37 - 45	20	101364
	7	16 - 24	20	101360
	12	16 - 24	20	101361
	19	16 - 24	20	101362

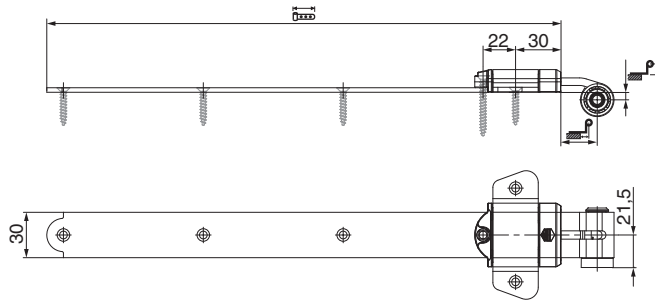


101453

3.2.1.2 MMV corner hinges

				No	
black-S	-5	16 - 24	10	101453¹	
		37 - 45	10	101454¹	
	2	16 - 24	10	100020¹	
		37 - 45	10	100025¹	
	7	16 - 24	10	100021¹	
		37 - 45	10	100026¹	
	12	16 - 24	10	100022¹	
		37 - 45	10	100027¹	
	19	16 - 24	10	100023¹	
		37 - 45	10	100028¹	
	grey-S	-5	16 - 24	10	102639¹
			37 - 45	10	102640¹
2		16 - 24	10	102520¹	
		37 - 45	10	102445¹	
7		16 - 24	10	102257¹	
		37 - 45	10	102259¹	
12		16 - 24	10	102521¹	
		37 - 45	10	102523¹	
19		16 - 24	10	102522¹	
		37 - 45	10	102524¹	
white-S		-5	16 - 24	10	102039¹
			37 - 45	10	102040¹
	2	16 - 24	10	101379¹	
		37 - 45	10	101384¹	
	7	16 - 24	10	101380¹	
		37 - 45	10	101385¹	
	12	16 - 24	10	101381¹	
		37 - 45	10	101386¹	
	19	16 - 24	10	101382¹	
		37 - 45	10	101387¹	

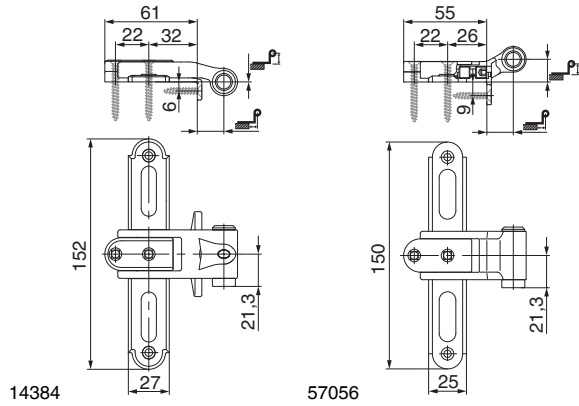
¹ With corner hinges, a packaging unit consists of 1 piece top corner hinge and 1 piece bottom corner hinge.



101451

3.2.1.3 MMV long hinges					№
	-5	2			
black-S	-5	16 - 24	340	20	101451
		37 - 45	340	20	101452
	2	16 - 24	340	20	100010
		37 - 45	340	20	100015
	7	16 - 24	340	20	100011
		37 - 45	340	20	100016
	12	16 - 24	340	20	100012
		37 - 45	340	20	100017
grey-S	19	16 - 24	340	20	100013
		37 - 45	340	20	100018
white-S	2	16 - 24	340	20	102513
		37 - 45	340	20	102517
	7	37 - 45	340	20	101375
	19	16 - 24	340	20	101372

3.2.2 BLR hinges with fixing tab



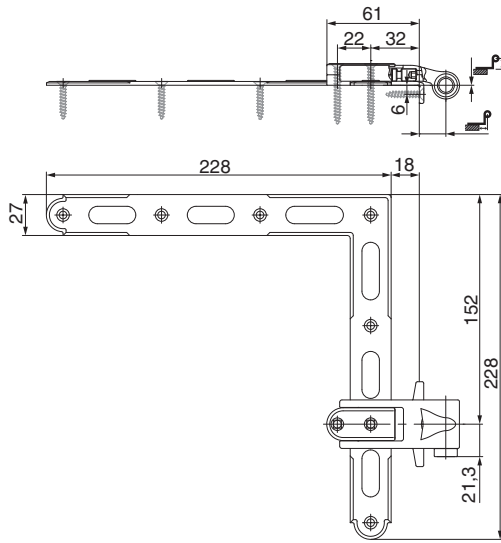
3.2.2.1 BLR cross hinges with fixed crank



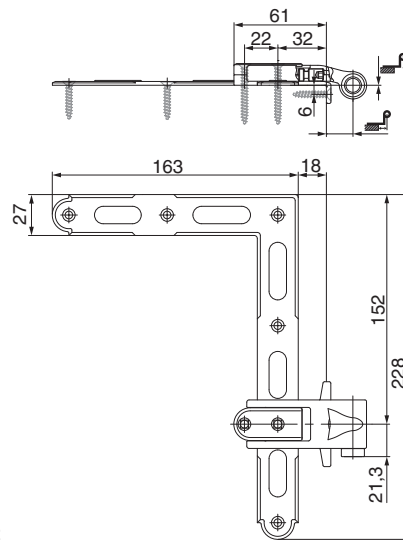
No

black-S	straight	0	18	32	20	14384
	flush	15	18	26	20	57056
grey-S	straight	0	18	32	20	102137
	flush	15	18	26	20	103421
white-S	straight	0	18	32	20	10703
	flush	15	18	26	20	52686

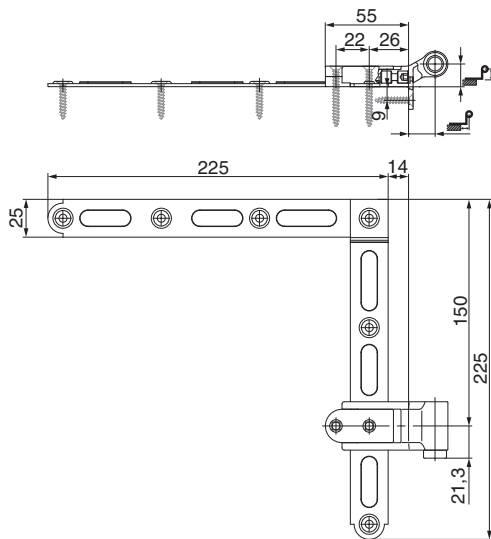




14166



101332



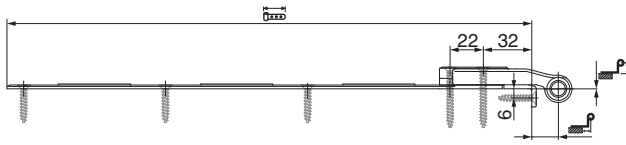
14174

3.2.2.2 BLR corner hinges with fixed crank

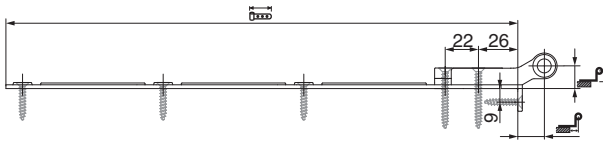
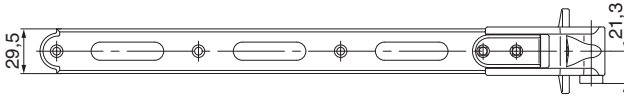


		0	18	32	10	No
black-S	straight	0	18	32	10	14166 ¹
	straight SL 228x163	0	18	32	10	101332 ¹
	flush	15	18	26	10	14174 ¹
white-S	straight	0	18	32	10	10706 ¹
	flush	15	18	26	10	10717 ¹

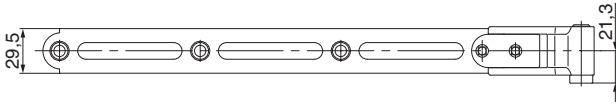
¹ With corner hinges, a packaging unit consists of 1 piece top corner hinge and 1 piece bottom corner hinge.



14034



57100



3.2.2.3 BLR long hinges with fixed crank

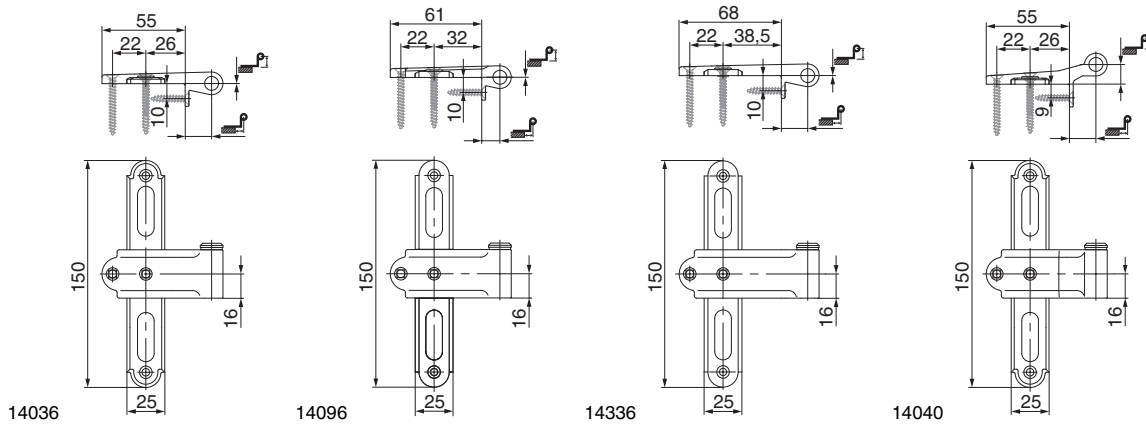


No

black-S	straight	0	18	340	32	20	14034
				200	32	20	14170
	flush	15	18	250	26	20	57099
				340	26	20	57100



3.2.3 MV hinges without lateral adjustment

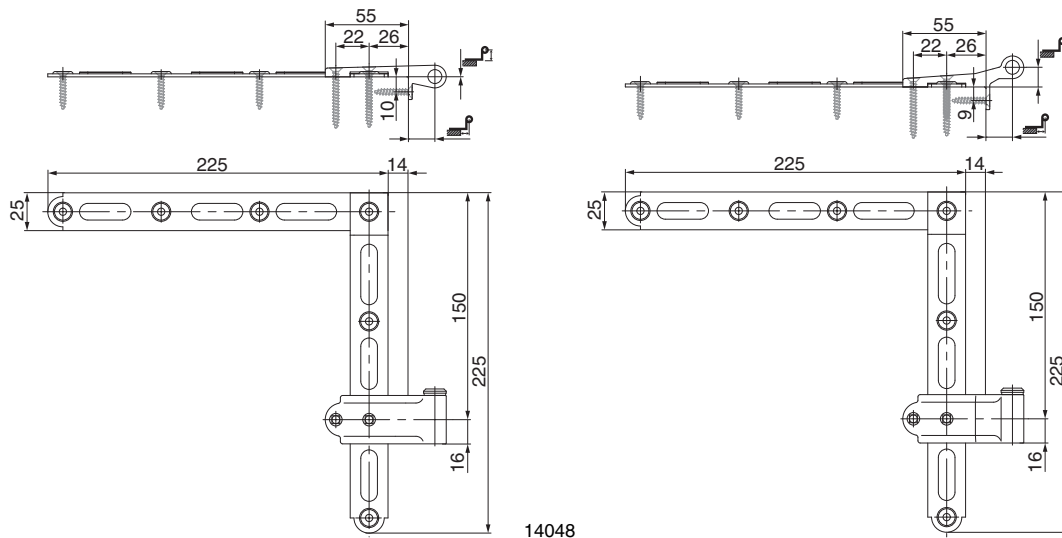


3.2.3.1 MV cross hinges



		0	18	26	20	No
black-S	straight	0	18	26	20	14036 ¹
	straight with offset end position	0	12	32	20	14096 ¹
	straight with 38.5mm screw-fixing distance	0	18	38,5	20	14336 ¹
	flush	13	18	26	20	14040 ¹

¹ We recommend to use pin disc item no. 40892.



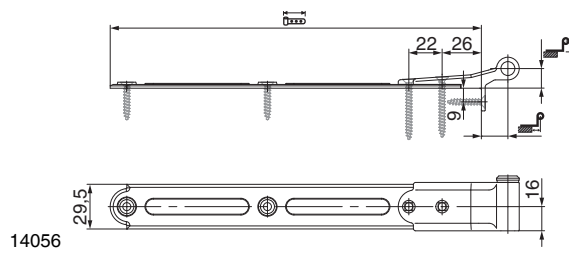
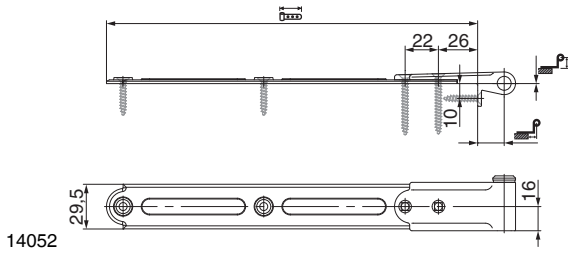
3.2.3.2 MV corner hinges



		0	18	26	10	No
black-S	straight	0	18	26	10	14044 ^{1,2}
	straight with offset end position	0	12	32	10	14100 ^{1,2}
	straight with 38.5mm screw-fixing distance	0	18	38,5	10	14340 ^{1,2}
	flush	13	18	26	10	14048 ^{1,2}

¹ With corner hinges, a packaging unit consists of 1 piece top corner hinge and 1 piece bottom corner hinge.

² We recommend to use pin disc item no. 40892.

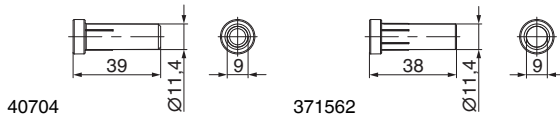



3.2.3.3 MV long hinges								No
black-S	straight	0	18	250	26	20	14080¹	
				340	26	20	14052¹	
	flush	13	18	250	26	20	14084¹	
				340	26	20	14056¹	

¹ We recommend to use pin disc item no. 40892.




3.2.4 Accessories for shutter hinges



3.2.4.1 BLR sleeves and cover caps				No
black	closed hinge regulator sleeve		100	40704
	open hinge regulator sleeve		100	371562
	short cover cap		100	41578
grey	closed hinge regulator sleeve		100	465210
	short cover cap		100	465211
white	closed hinge regulator sleeve		100	41149
	short cover cap		100	42845



3.2.4.2 MMV sleeves and cover caps				No
black	open hinge regulator sleeve	Ø 10mm	100	44382^{1,2}
		Ø 9mm	100	44381^{1,2}
		Ø 8mm	100	44380^{1,2}
	short cover cap		100	44383¹
	long cover cap		100	44384²
grey	open hinge regulator sleeve	Ø 10mm	50	465423^{1,2}
		Ø 8mm	50	465422^{1,2}
	long cover cap		100	360382²
white	open hinge regulator sleeve	Ø 10mm	100	454977^{1,2}
		Ø 9mm	100	454976^{1,2}
		Ø 8mm	100	454975^{1,2}
	short cover cap		100	454978¹
	long cover cap		100	454979²

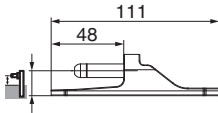
¹ For hinges with fixed crank.

² For hinges with variable crank 32-55mm.

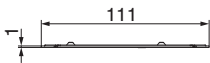
3.3 Shutter pins

3.3.1 Surface mounted frame hinges

3.3.1.1 MMV surface mounted frame hinges

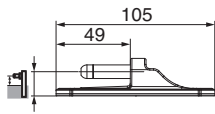


3.3.1.1.1 MMV surface mounted frame hinges					No
black-S		16,5	23	20	202223
		19,5	23	20	202224
		22,5	23	20	202225
		25,5	23	20	202226
grey-S		16,5	23	20	211811
		19,5	23	20	212742
		22,5	23	20	211230
		25,5	23	20	212743
white-S		16,5	23	20	201813
		19,5	23	20	201814
		22,5	23	20	201815
		25,5	23	20	201816

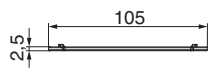


3.3.1.1.2 Packers for MMV surface mounted frame hinges				W	L		No
black	surface mounted frame hinge MMV	stackable	1	23	111	100	441782
grey	surface mounted frame hinge MMV	stackable	1	23	111	100	360816

3.3.1.2 BLR surface mounted frame hinges

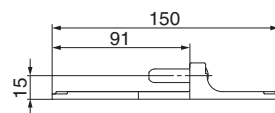
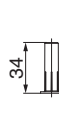
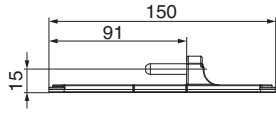
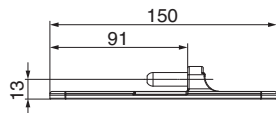


3.3.1.2.1 BLR surface mounted frame hinges						No
black-S			15	25	20	57098
			20	25	20	56891
grey-S			20	25	20	212649
white-S			20	25	20	29267



3.3.1.2.2 Packers for BLR surface mounted frame hinges				W	L		No
black	for short surface mounted frame hinge		2,5	25	105	100	43957

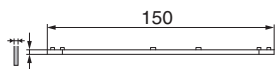
3.3.1.3 MV surface mounted frame hinges



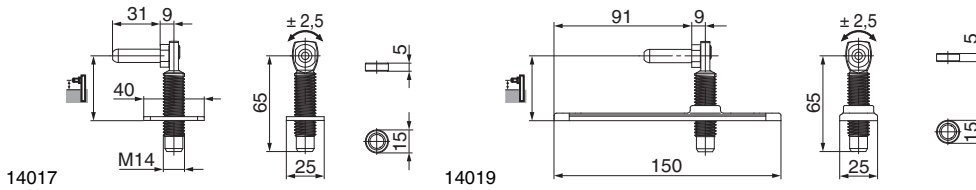
3.3.1.3.1 MV surface mounted frame hinges						No
black-S	surface mounted frame hinge		13	25	20	14076¹
	surface mounted frame hinge with regulator-sleeve		15	20	20	101042²
	surface mounted frame hinge		15	20	20	56839

¹ Only suitable for "straight and flush hinges without lateral adjustment".

² Use surface-mounted frame hinge with regulator sleeve for hinges WITHOUT regulator sleeve, e.g. cross hinges item nos. 14036, 14096 and 14040.



3.3.1.3.2 Packers for MV surface mounted frame hinges				W	L		No
black	for surface mounted frame hinge - 13mm distance	stackable	3	25	150	100	41882
			5	25	150	100	41811
			8	25	150	100	41810
	for surface mounted frame hinge - 15mm distance	stackable	2	20	150	100	40436
grey	for surface mounted frame hinge - 15mm distance	stackable	2	20	150	100	361315
white	for surface mounted frame hinge - 13mm distance	stackable	3	25	150	100	42837
	for surface mounted frame hinge - 15mm distance	stackable	2	20	150	100	44108



3.3.1.4 MV surface mounted frame hinges with thread and lateral adjustment

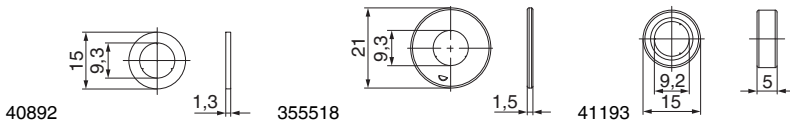


No

black-S	15 - 50	15	65	25	20	14017¹
	22 - 50	15	65	25	20	14019¹
grey-S	22 - 50	15	65	25	20	102173¹

¹ Permissible only for installation on timber!

3.3.2 Accessories for shutter pins



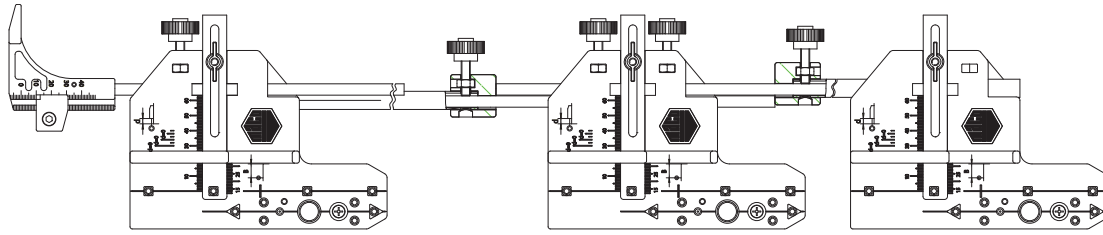
3.3.2.1 Spacers for shutter pin



No

black	spacer BLR, for shutter pin	Ø 15mm	1,3	100	40892
	spacer MMV, for shutter pin	Ø 22mm	1,5	100	355518
	spacer MV	Ø 15mm	5,3	50	41193
grey	spacer BLR, for shutter pin	Ø 15mm	1,3	100	361316
	spacer MMV, for shutter pin	Ø 22mm	1,5	50	363286
	spacer MV	Ø 15mm	5,3	50	360379
white	spacer MMV, for shutter pin	Ø 22mm	1,5	100	363323
	spacer MV	Ø 15mm	5,3	50	41198

3.4 Jigs



101263

3.4.1 Jigs for surface mounted frame hinges



Nº

jig	MV	for dual installation	hinge with 26mm screw-fixing distance, surface mounted frame hinge on masonry cladding	1	24081
	BLR	for dual installation	Straight hinge with 32mm screw-fixing distance, short surface mounted frame hinge	1	55905
	MMV	for separate installation	hinge and surface mounted frame hinge	1	101263



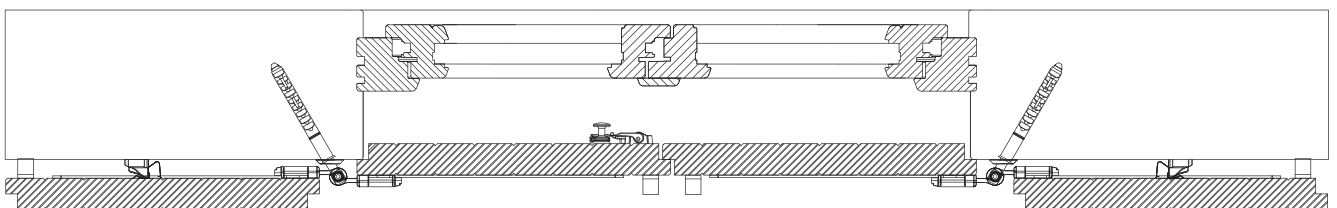
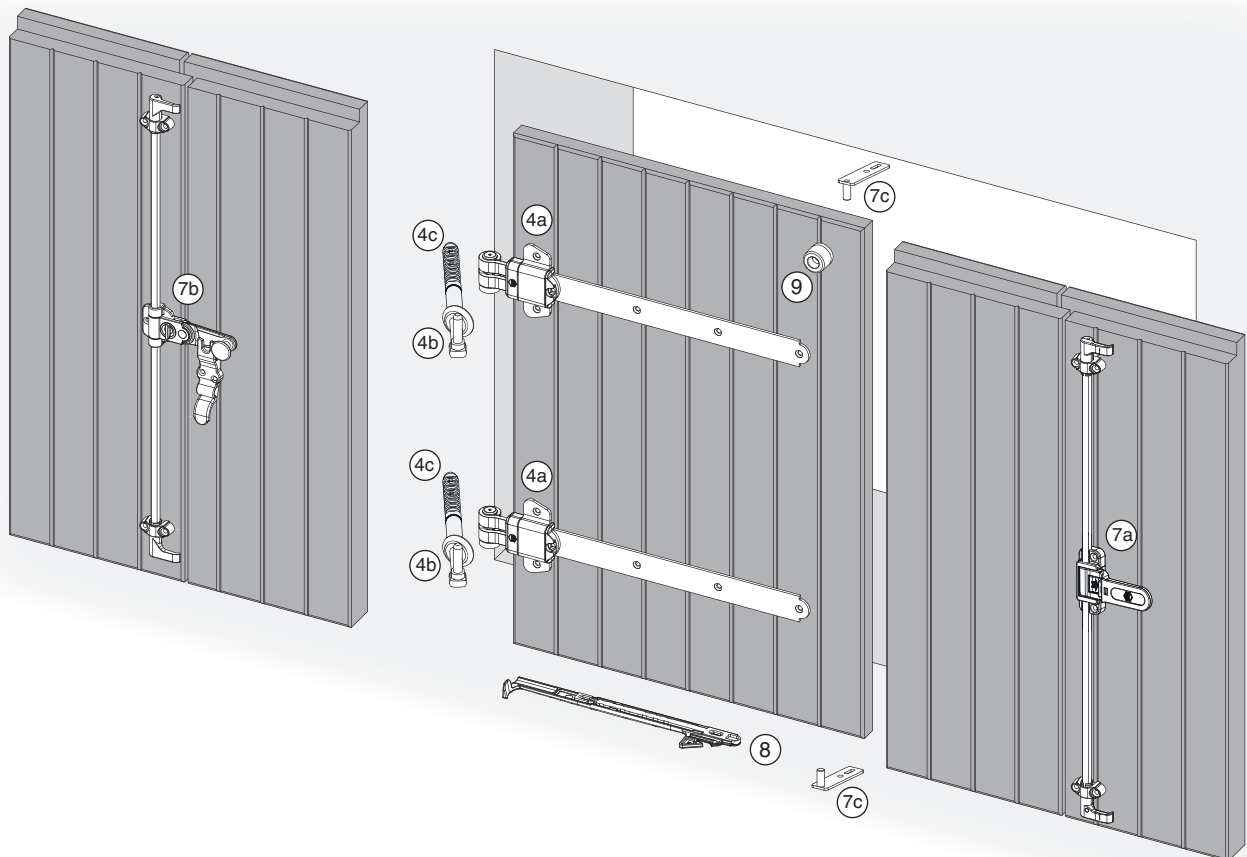
4 Masonry installation

4.1	Information for hardware selection	86
4.1.1	2-sashed, with universal shutter pin	86
4.1.2	4-sashed with external pivot point, with universal shutter pin	88
4.2	Overview of hardware variants	90
4.3	Hinges	91
4.3.1	Hinges without fixing tab	91
4.3.2	Accessories for shutter hinges	96
4.4	Shutter pins	97
4.4.1	M12 universal shutter pins with lateral adjustment	97
4.4.2	M12 masonry shutter pins	98
4.4.3	M14 masonry shutter pins	99
4.4.4	Ø16 masonry shutter pins	100
4.4.5	Accessories for shutter pins	101
4.5	Jigs	102
4.5.1	Jigs for MMV shutter pins masonry installation	102

4 Masonry installation

4.1 Information for hardware selection

4.1.1 2-sashed, with universal shutter pin

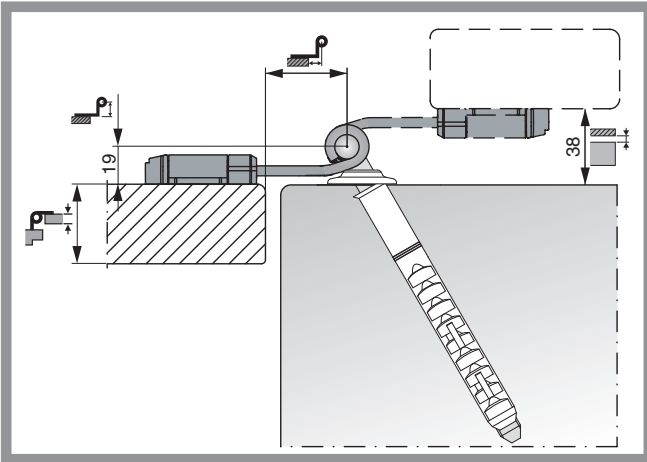


Selection guide

Page

4a	4.3.1.5 MMV long hinges	→94
4b	4.4.1.1 MMV universal shutter pins with lateral adjustment	→97
4c	4.4.1.2.1 Rawplugs for universal shutter pins	→97
7a	7.1.1 Snap locks 26mm wide	→116
7b	7.1.3 2F shutter locks	→120
7c	7.4.1 Striker pin brackets for masonry installation	→130
8	8.5.1 Comfort shutter catches for windows	→143
9	9.2 Buffer stops	→152

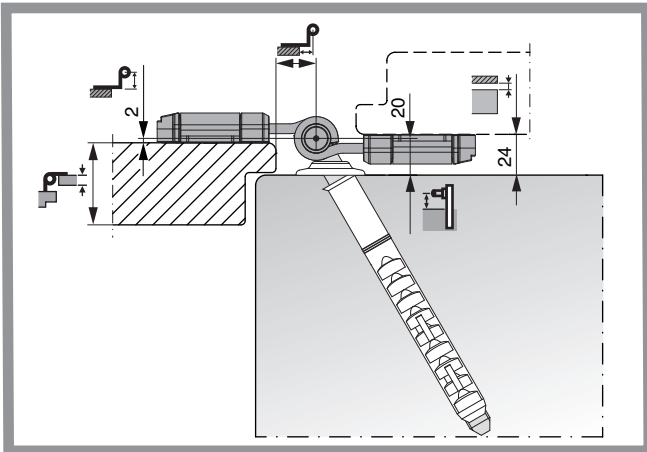
4.1.1.1 Flush



Calculation distance to wall

$$\begin{array}{r}
 2 \times \text{[Hinge Icon]} \quad 38\text{mm} \\
 \hline
 = \quad 38\text{mm} \quad \text{[Shutter Icon]}
 \end{array}$$

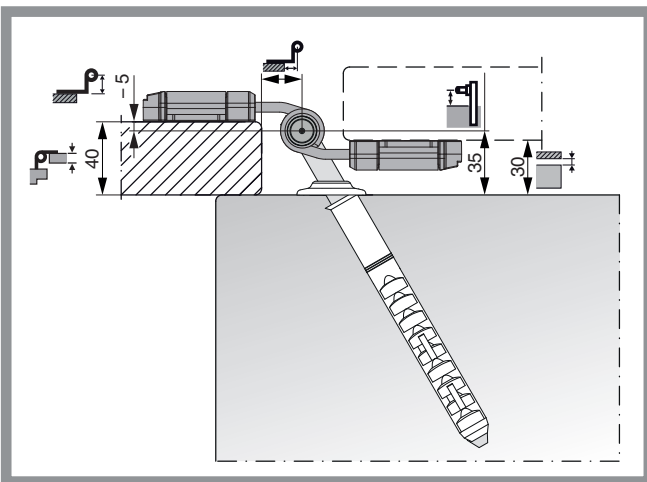
4.1.1.2 Shutter with rebate



Calculation distance to wall

$$\begin{array}{r}
 2 \times \text{[Hinge Icon]} \quad 4\text{mm} \\
 \text{[Shutter Icon]} \quad + 20\text{mm} \\
 \hline
 = \quad 24\text{mm} \quad \text{[Shutter Icon]}
 \end{array}$$

4.1.1.3 Flush mounted

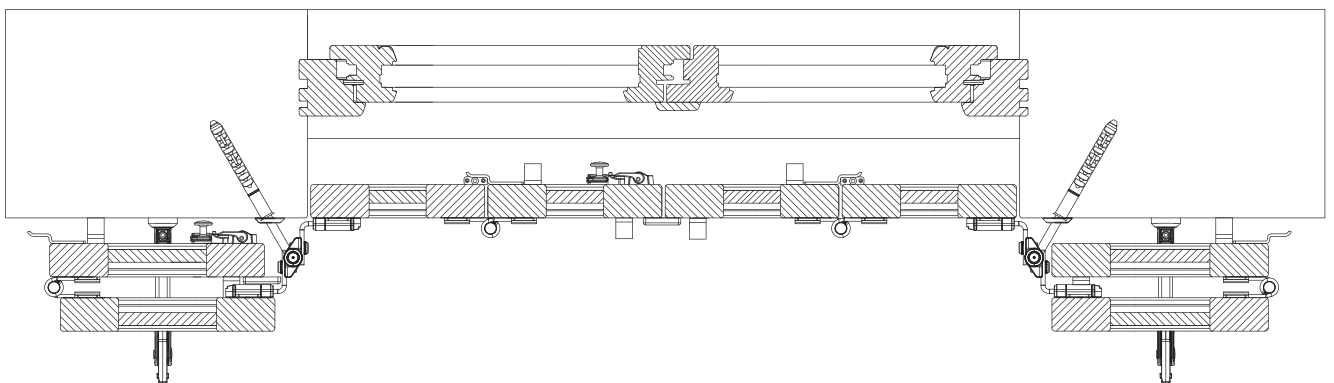
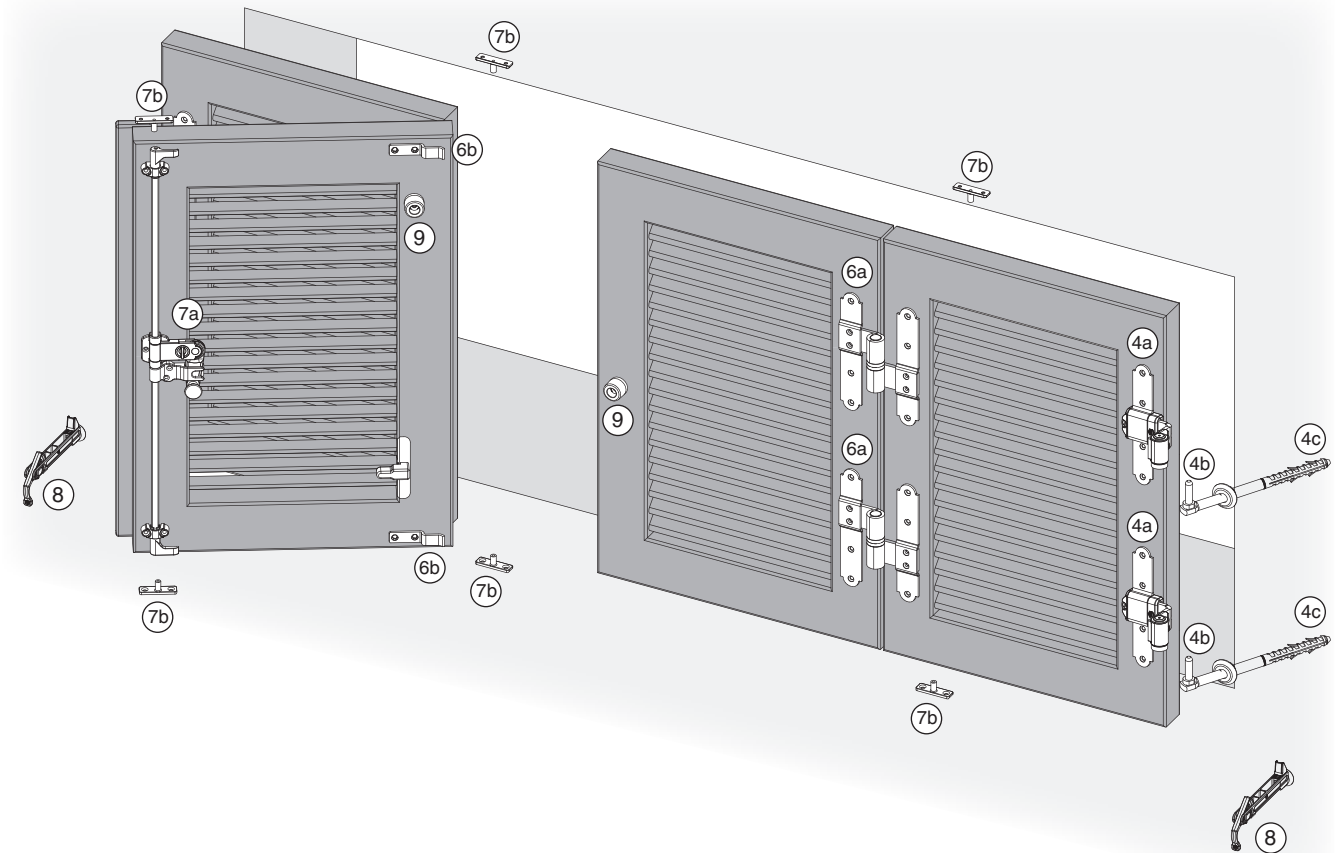


Calculation distance to wall

$$\begin{array}{r}
 \text{[Hinge Icon]} \quad 40\text{mm} \\
 + 2 \times \text{[Hinge Icon]} \quad - 10\text{mm} \\
 \hline
 = \quad 30\text{mm} \quad \text{[Shutter Icon]}
 \end{array}$$



4.1.2 4-sashed with external pivot point, with universal shutter pin

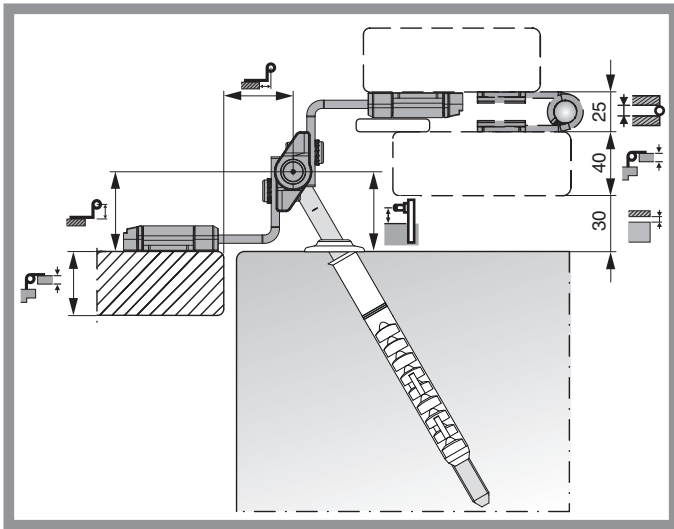


Selection guide

Page

4a	4.3.1.2 MMV cross hinges with variable crank	→92
4b	4.4.1.1 MMV universal shutter pins with lateral adjustment	→97
4c	4.4.1.2.1 Rawlplugs for universal shutter pins	→97
6a	6.1.5 MMV centre cross hinges	→110
6b	6.6 Multi-sash locking hooks	→114
7a	7.1.3.2 2F shutter locks without striker pin brackets without protection block with spring-loaded locking hooks	→121
7b	7.4 Striker pin brackets for masonry installation	→130
8	8.1.3 Shutter catches "Classic" model with cover disk without fixing bolts	→140
9	9.2 Buffer stops	→152

4.1.2.1 Flush



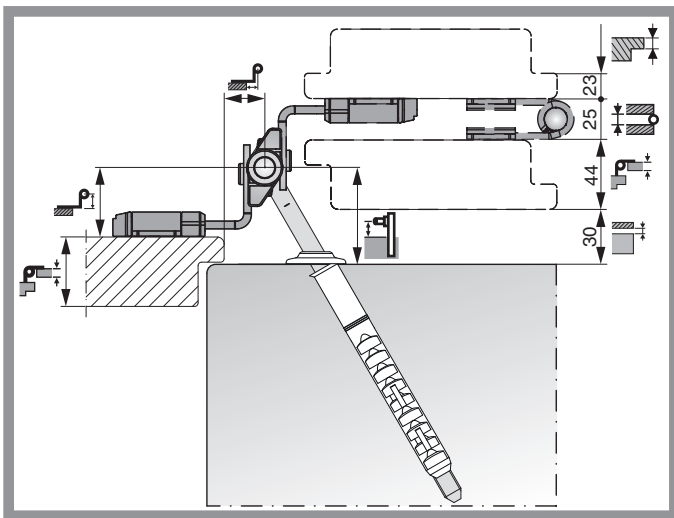
Calculation shutter pin distance

	25mm
	+ 40mm
	+ 30mm
<hr/>	
=	95mm : 2 = 47,5mm

Calculation hinge crank

	25mm
	+ 40mm
	+ 30mm
<hr/>	
=	95mm : 2 = 47,5mm

4.1.2.2 Shutter with rebate



Calculation shutter pin distance

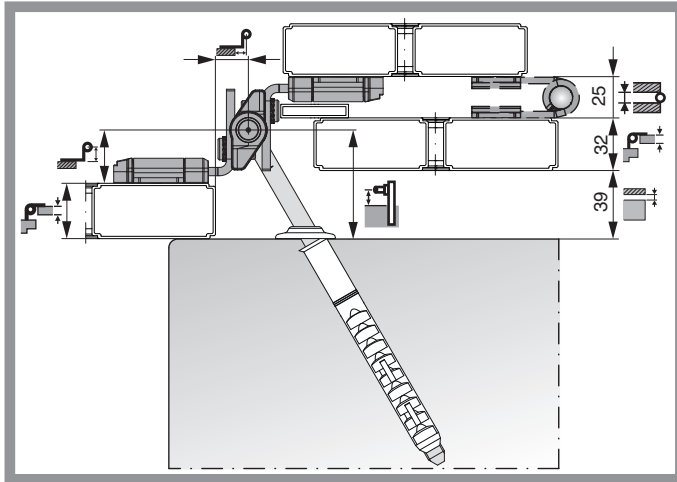
	23mm
	+ 25mm
	+ 44mm
	+ 30mm
<hr/>	
=	122mm : 2 = 61mm

Calculation hinge crank

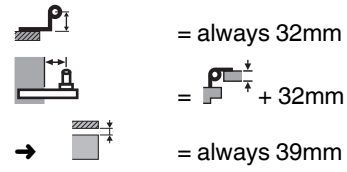
	25mm
	+ 44mm
	+ 30mm
	- 23mm
<hr/>	
=	76mm : 2 = 38mm

→ Calculation for flush mounted shutters ==>
see next page!





















4.1.2.3 Flush mounted



Calculation shutter pin distance/hinge crank/
distance to wall

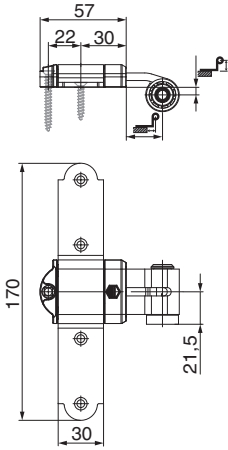


4.2 Overview of hardware variants

	 16-24 mm	 37-45 mm
 -5 mm		
 2 mm		
 7 mm		
 12 mm		
 19 mm		
 32-55 mm		


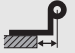

4.3 Hinges

4.3.1 Hinges without fixing tab

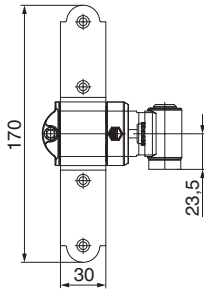
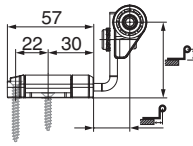


101449

4.3.1.1 MMV cross hinges

				№
black-S	-5	16 - 24	20	101449
		37 - 45	20	101450
	2	16 - 24	20	100000
		37 - 45	20	100005
	7	16 - 24	20	100001
		37 - 45	20	100006
	12	16 - 24	20	100002
		37 - 45	20	100007
	19	16 - 24	20	100003
		37 - 45	20	100008
grey-S	-5	16 - 24	20	102636
		37 - 45	20	102480
	2	16 - 24	20	102342
		37 - 45	20	102446
	7	16 - 24	20	102253
		37 - 45	20	102255
	12	16 - 24	20	102509
		37 - 45	20	102511
	19	16 - 24	20	102510
		37 - 45	20	102512
white-S	-5	16 - 24	20	102037
		37 - 45	20	102038
	2	16 - 24	20	101359
		37 - 45	20	101364
	7	16 - 24	20	101360
	12	16 - 24	20	101361
	19	16 - 24	20	101362





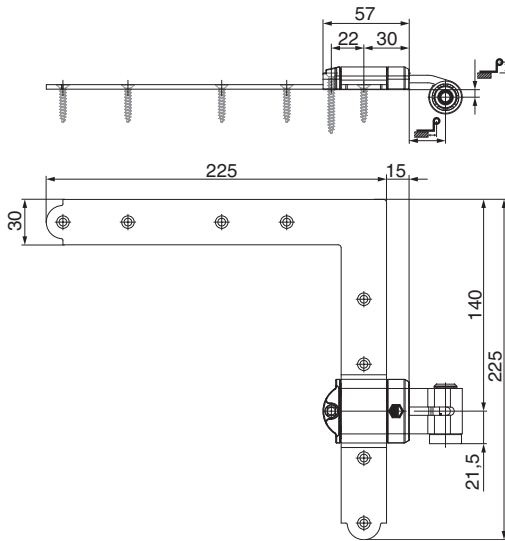
100004

4.3.1.2 MMV cross hinges with variable crank



No

black-S	32 - 55	16 - 24 37 - 45	20 20	100004 100009
grey-S	32 - 55	16 - 24 37 - 45	20 20	102254 102256
white-S	32 - 55	16 - 24	20	101363

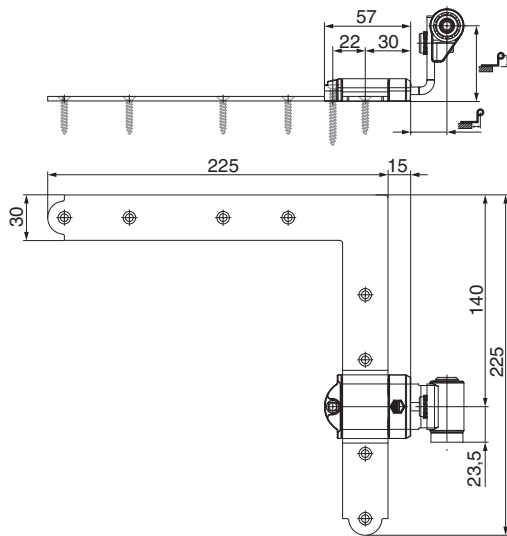


101453

4.3.1.3 MMV corner hinges

				No	
black-S	-5	16 - 24	10	101453¹	
		37 - 45	10	101454¹	
	2	16 - 24	10	100020¹	
		37 - 45	10	100025¹	
	7	16 - 24	10	100021¹	
		37 - 45	10	100026¹	
	12	16 - 24	10	100022¹	
		37 - 45	10	100027¹	
	19	16 - 24	10	100023¹	
		37 - 45	10	100028¹	
	grey-S	-5	16 - 24	10	102639¹
			37 - 45	10	102640¹
2		16 - 24	10	102520¹	
		37 - 45	10	102445¹	
7		16 - 24	10	102257¹	
		37 - 45	10	102259¹	
12		16 - 24	10	102521¹	
		37 - 45	10	102523¹	
19		16 - 24	10	102522¹	
		37 - 45	10	102524¹	
white-S		-5	16 - 24	10	102039¹
			37 - 45	10	102040¹
	2	16 - 24	10	101379¹	
		37 - 45	10	101384¹	
	7	16 - 24	10	101380¹	
		37 - 45	10	101385¹	
	12	16 - 24	10	101381¹	
		37 - 45	10	101386¹	
	19	16 - 24	10	101382¹	
		37 - 45	10	101387¹	

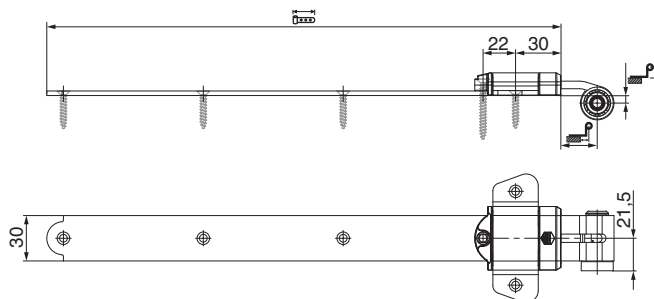
¹ With corner hinges, a packaging unit consists of 1 piece top corner hinge and 1 piece bottom corner hinge.



100024

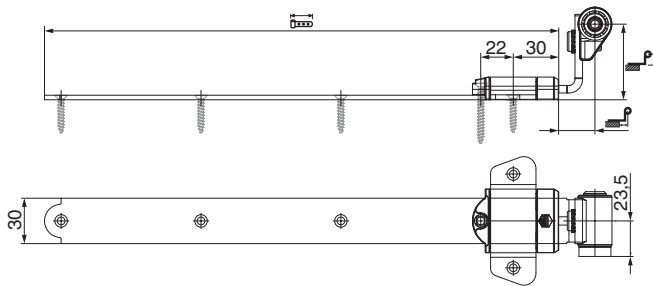
4.3.1.4 MMV corner hinges with variable crank				No
black-S	32 - 55	16 - 24	10	100024¹
		37 - 45	10	100029¹
grey-S	32 - 55	16 - 24	10	102258¹
		37 - 45	10	102260¹
white-S	32 - 55	16 - 24	10	101383¹
		37 - 45	10	101388¹

¹ With corner hinges, a packaging unit consists of 1 piece top corner hinge and 1 piece bottom corner hinge.




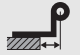
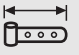

101451

4.3.1.5 MMV long hinges				No	
black-S	-5	16 - 24	340	20	101451
		37 - 45	340	20	101452
	2	16 - 24	340	20	100010
		37 - 45	340	20	100015
	7	16 - 24	340	20	100011
		37 - 45	340	20	100016
	12	16 - 24	340	20	100012
		37 - 45	340	20	100017
19	16 - 24	340	20	100013	
	37 - 45	340	20	100018	
grey-S	2	16 - 24	340	20	102513
		37 - 45	340	20	102517
white-S	7	37 - 45	340	20	101375
		16 - 24	340	20	101372



100014


4.3.1.6 MMV long hinges with variable crank

					No
black-S	32 - 55	16 - 24	340	20	100014
		37 - 45	340	20	100019
white-S	32 - 55	16 - 24	340	20	101373



4.3.2 Accessories for shutter hinges



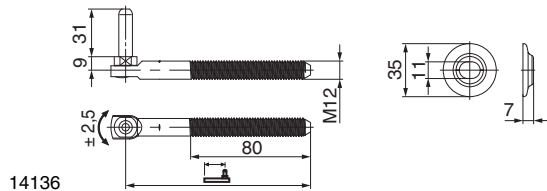
4.3.2.1 MMV sleeves and cover caps				No
black	open hinge regulator sleeve	Ø 10mm	100	44382^{1,2}
		Ø 9mm	100	44381^{1,2}
		Ø 8mm	100	44380^{1,2}
	short cover cap		100	44383¹
	long cover cap		100	44384²
grey	open hinge regulator sleeve	Ø 10mm	50	465423^{1,2}
		Ø 8mm	50	465422^{1,2}
	long cover cap		100	360382²
white	open hinge regulator sleeve	Ø 10mm	100	454977^{1,2}
		Ø 9mm	100	454976^{1,2}
		Ø 8mm	100	454975^{1,2}
	short cover cap		100	454978¹
	long cover cap		100	454979²

¹ For hinges with fixed crank.

² For hinges with variable crank 32-55mm.

4.4 Shutter pins

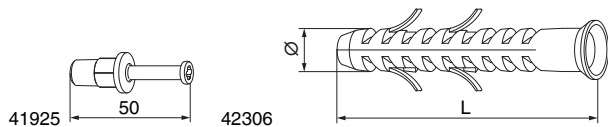
4.4.1 M12 universal shutter pins with lateral adjustment



14136

4.4.1.1 MMV universal shutter pins with lateral adjustment			No
black-S	size 1	122 20	14136
	size 2	147 20	14140
	size 3	172 20	14144
	size 4	250 20	14148
grey-S	size 1	122 20	102448
	size 2	147 20	102449
	size 3	172 20	102545
white-S	size 2	147 20	11781
	size 4	250 20	101028

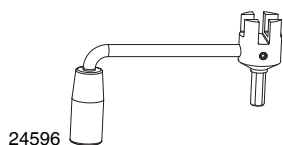
4.4.1.2 Accessories for M12 universal shutter pins



41925

42306

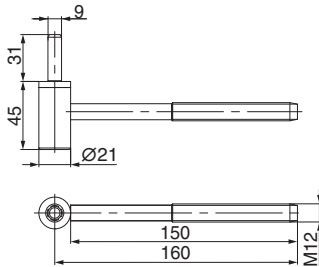
4.4.1.2.1 Rawplugs for universal shutter pins	∅	L		No
installation aid for plastered-in rawplug			20	41925
rawplug for shutter pin	16	100	20	42306
		140	20	42308



24596

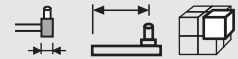
4.4.1.2.2 Screw-driving tool		No
screw-driving tool with crank handle for universal shutter pin	1	24596

4.4.2 M12 masonry shutter pins



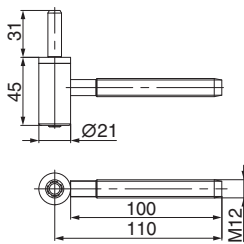
477945

4.4.2.1 MMV M12 masonry shutter pins with locking washer



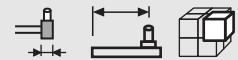
No

black-S	L110	21	110	24	477944
	L160	21	160	24	477945
grey-S	L110	21	110	24	477968
	L160	21	160	24	477969
white-S	L110	21	110	24	477965
	L160	21	160	24	477966



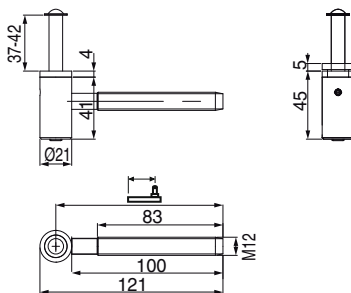
477972

4.4.2.2 MMV M12 masonry shutter pins with height adjustment and locking washer



No

black-S	L90	21	90	24	477971
	L110	21	110	24	477972
	L160	21	160	24	477973



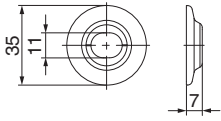
477979

4.4.2.3 MMV M12 masonry shutter pins with height adjustment and safety catch



No

black-S	L90	21	90	24	477978
	L110	21	110	24	477979
	L160	21	160	24	477980
grey-S	L110	21	110	24	477983
	L160	21	160	24	477984
white-S	L110	21	110	24	477981
	L160	21	160	48	477982



42454

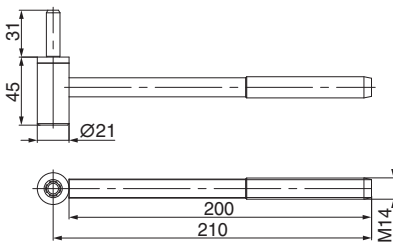
4.4.2.4 Cover disks for M12 shutter pins



No

black	100	42454
grey	100	465285
white	20	42844

4.4.3 M14 masonry shutter pins



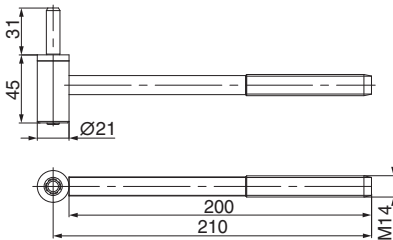
477946

4.4.3.1 MMV M14 masonry shutter pins with locking washer



No

black-S	L210	21	210	24	477946
grey-S	L210	21	210	24	477970
white-S	L210	21	210	24	477967



477974

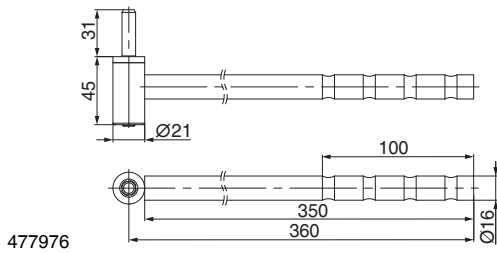
4.4.3.2 MMV M14 masonry shutter pins with height adjustment and locking washer



No

black-S	L210	21	210	24	477974
---------	------	----	-----	----	---------------

4.4.4 Ø16 masonry shutter pins



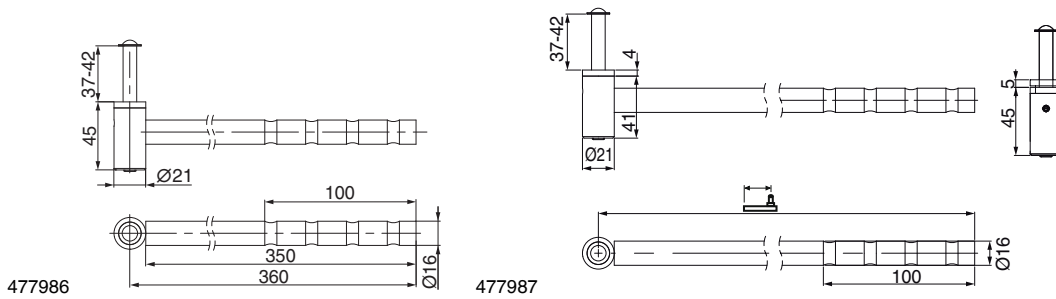
477976

4.4.4.1 MMV Ø16 masonry shutter pins with height adjustment and locking washer



No

Color	Length	Pin Diameter	Threaded Length	Pin Spacing	Quantity	Part No.
black-S	L260	21	260	20		477975
	L360	21	360	16		477976
	L460	21	460	16		477977



477986

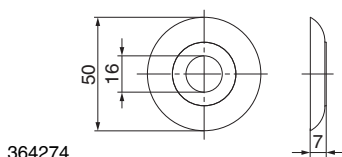
477987

4.4.4.2 MMV Ø16 masonry shutter pins with height adjustment and safety catch



No

Color	Length	Pin Diameter	Threaded Length	Pin Spacing	Quantity	Part No.
black-S	L260	21	260	20		477985
	L360	21	360	16		477986
	L460	21	460	16		477987
grey-S	L360	21	360	16		477989
white-S	L360	21	360	16		477988



364274

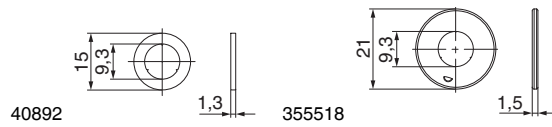
4.4.4.3 Cover disks for Ø16 masonry shutter pins





No

Color	Quantity	Part No.
black	100	364274
grey	50	365880
white	50	367600

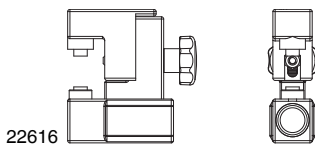
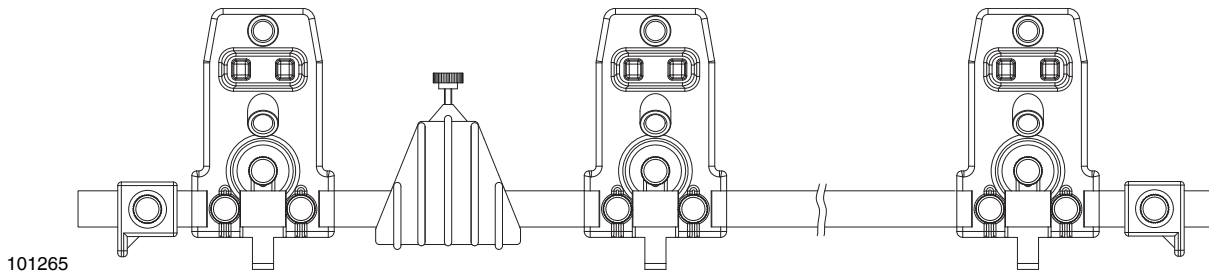
4.4.5 Accessories for shutter pins



4.4.5.1 Spacers for shutter pin					No
black	spacer BLR, for shutter pin	Ø 15mm	1,3	100	40892
	spacer MMV, for shutter pin	Ø 22mm	1,5	100	355518
grey	spacer BLR, for shutter pin	Ø 15mm	1,3	100	361316
	spacer MMV, for shutter pin	Ø 22mm	1,5	50	363286
white	spacer MMV, for shutter pin	Ø 22mm	1,5	100	363323



4.5 Jigs



4.5.1 Jigs for MMV shutter pins masonry installation



Nº

jig	MMV	for universal shutter pin	30° sloped drillhole AT=16-24, 2 rods + 3 drilling blocks	1	101265
		for shutter pin with separate pin	drill hole Ø 16mm	1	22616
				1	27054



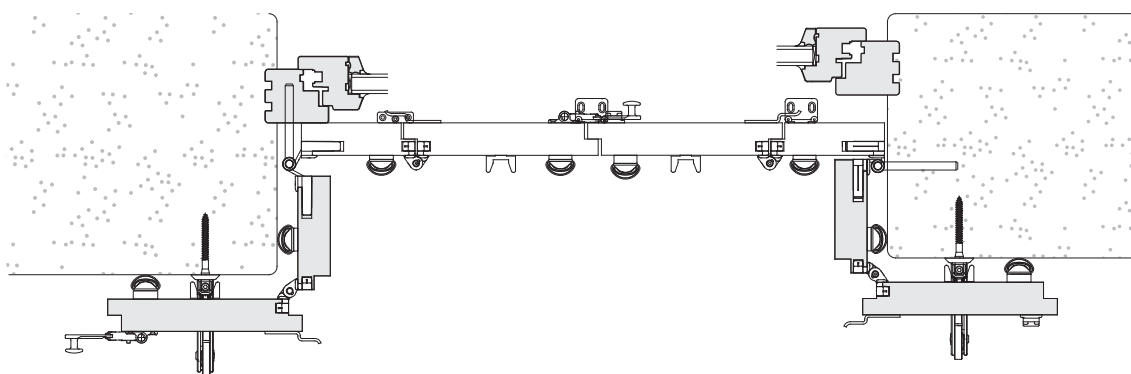
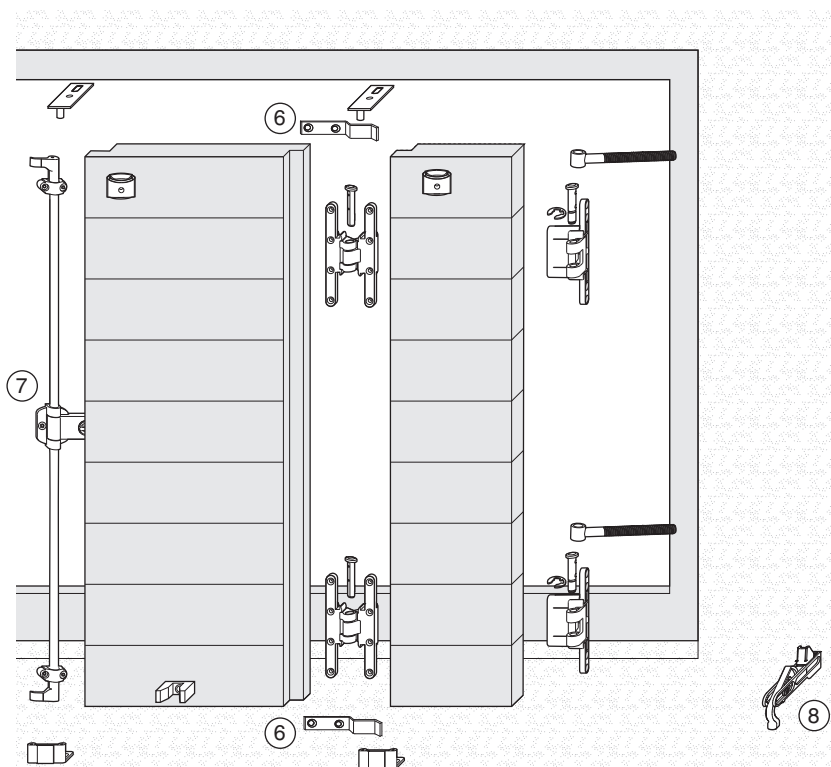
5 Padovana / Vicentina installation

5.1	Information for hardware selection	104
5.1.1	2-sashed, with masonry shutter pins and shutter pins in frame	104
5.2	Hinges	105
5.2.1	Concealed hinges with lateral adjustment	105
5.2.2	Accessories for shutter hinges	105
5.3	Shutter pins	106
5.3.1	Shutter pins for PAD shutter hinges	106

5 Padovana / Vicentina installation

5.1 Information for hardware selection

5.1.1 2-sashed, with masonry shutter pins and shutter pins in frame



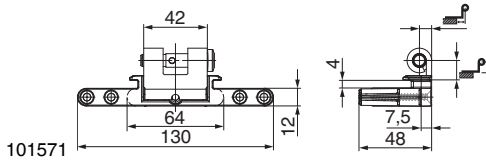
Selection guide

Page

6	6.6	Multi-sash locking hooks	→114
7	7	Shutter locks	→116
8	8	Shutter catches	→138

5.2 Hinges

5.2.1 Concealed hinges with lateral adjustment



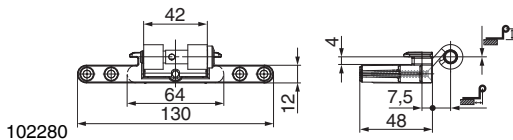
101571

T 5.2.1.1 PAD hinges for masonry installation



No

black-S	13	-8	20	101571
grey-S	13	-8	20	102139



102280

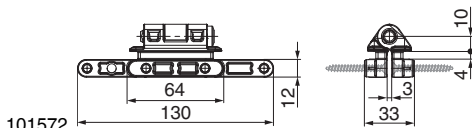
T 5.2.1.2 PAD hinges for frame installation



No

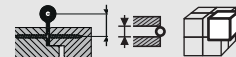
black-S	12		20	102280
grey-S	12		20	102352

5.2.1.3 Shutter centre hinges



101572

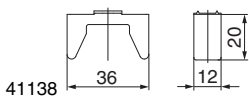
T 5.2.1.3.1 PAD shutter centre hinges



No

black-S	21	20	1	101572
grey-S	21	20	20	102158

5.2.2 Accessories for shutter hinges



41138

5.2.2.1 Stop for PAD shutter catches

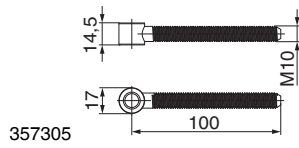


No

black			50	41138
-------	--	--	----	--------------



5.3 Shutter pins



T 5.3.1 Shutter pins for PAD shutter hinges



No

black-S	17	100	20	357305
grey-S	17	100	20	359885

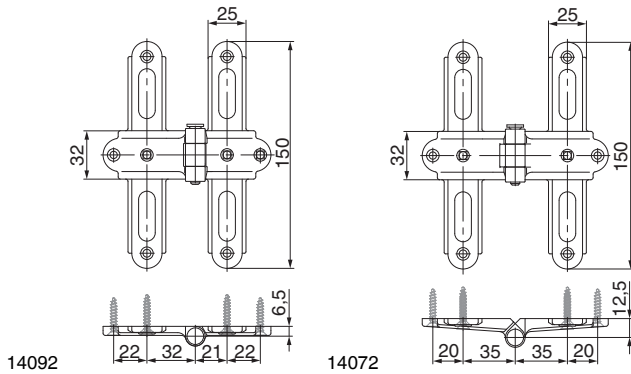


6 Accessories for folding shutters

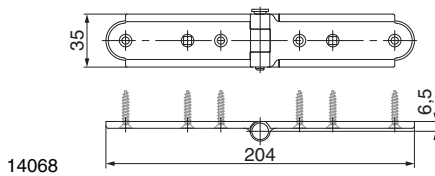
6.1	Centre hinges for folding shutters in sight	108
6.1.1	BLR centre cross hinges	108
6.1.2	BLR batten hinges	108
6.1.3	BLR centre hinges straight/cranked	109
6.1.4	Centre hinges for folding shutters with opening direction left or right	110
6.1.5	MMV centre cross hinges	110
6.1.6	Prima MMV centre hinges	111
6.2	Folding shutter couplings	112
6.3	Door shutter catches as folding shutter coupling	112
6.4	Packers for folding shutter couplings	112
6.5	Shutter suspending run-up block	113
6.6	Multi-sash locking hooks	114
6.7	Packers for locking hooks with inside pivot point	114

6 Accessories for folding shutters

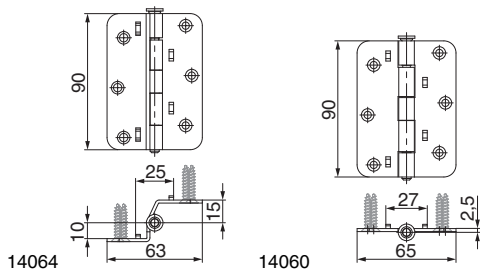
6.1 Centre hinges for folding shutters in sight



6.1.1 BLR centre cross hinges						No
black-S	asymmetrical	21-32	0-25	13	20	14092
	symmetrical	34-34	0	25	20	14072
grey-S	asymmetrical	21-32	0-25	13	20	102332
	symmetrical	34-34	0	25	20	102159
white-S	asymmetrical	21-32	0-25	13	20	27746
	symmetrical	34-34	0	25	20	20293



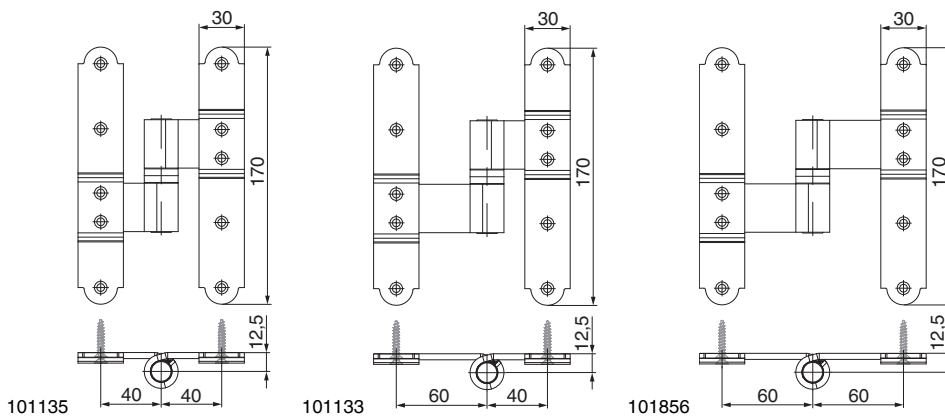
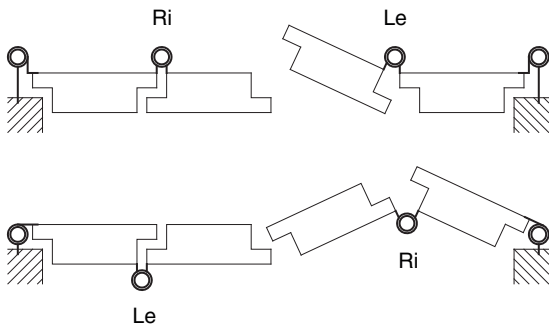
6.1.2 BLR batten hinges						No
black-S	symmetrical	26	13	20		14068



6.1.3 BLR centre hinges straight/cranked						Nº
black-S	asymmetrical	20 (24)	25	25	20	14064
	symmetrical	22 (26)	0	27	20	14060
grey-S	symmetrical	22 (26)	0	27	20	102490
white-S	asymmetrical	20 (24)	25	25	20	10107
	symmetrical	22 (26)	0	27	20	21883



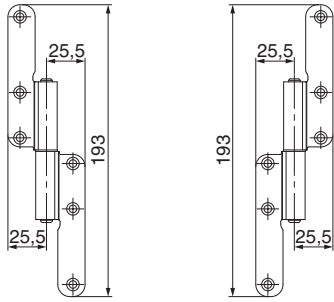
6.1.4 Centre hinges for folding shutters with opening direction left or right



6.1.5 MMV centre cross hinges

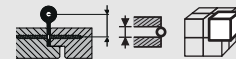


								No
black-S	asymmetrical	left	60-40	0-80	25	20		101133
		right	60-40	0-80	25	20		101134
	symmetrical	left	40-40	0-40	25	20		101135
			60-60	0-40	25	20		101856
		right	40-40	0-40	25	20		101136
			60-60	0-40	25	20		101883
grey-S	asymmetrical	left	60-40	0-80	25	20		102525
		right	60-40	0-80	25	20		102526
	symmetrical	left	40-40	0-40	25	20		102261
		right	40-40	0-40	25	20		102262
white-S	asymmetrical	left	60-40	0-80	25	20		101257
		right	60-40	0-80	25	20		101258
	symmetrical	left	40-40	0-40	25	20		101259
			60-60	0-40	25	20		101884
		right	40-40	0-40	25	20		101260
			60-60	0-40	25	20		101885



103355 17,5 17,5 103354 17,5 17,5

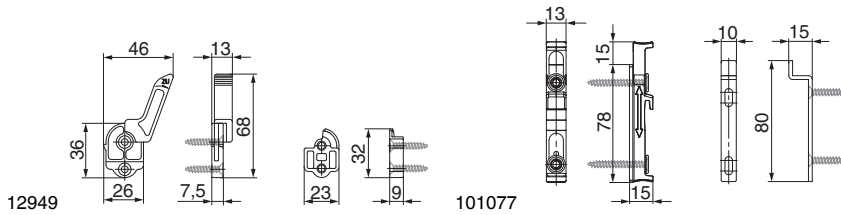
6.1.6 Prima MMV centre hinges



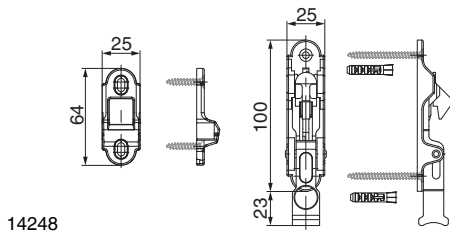
№

black-S	left	17.5	15	20	103355
		21	25	20	103288
		22.5	25	20	103357
	right	27.5	35	20	103359
		17.5	15	20	103354
		21	25	20	103289
grey-S	left	22.5	25	20	103356
		27.5	35	20	103358
		21	25	20	105782
white-S	right	27.5	35	20	105783
		21	25	20	104105
		27.5	35	20	103365
white-S	left	21	25	20	104114
		27.5	35	20	103364
		21	25	20	104114
white-S	right	21	25	20	104114
		27.5	35	20	103364
		21	25	20	104114

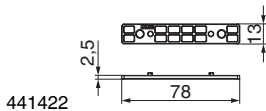




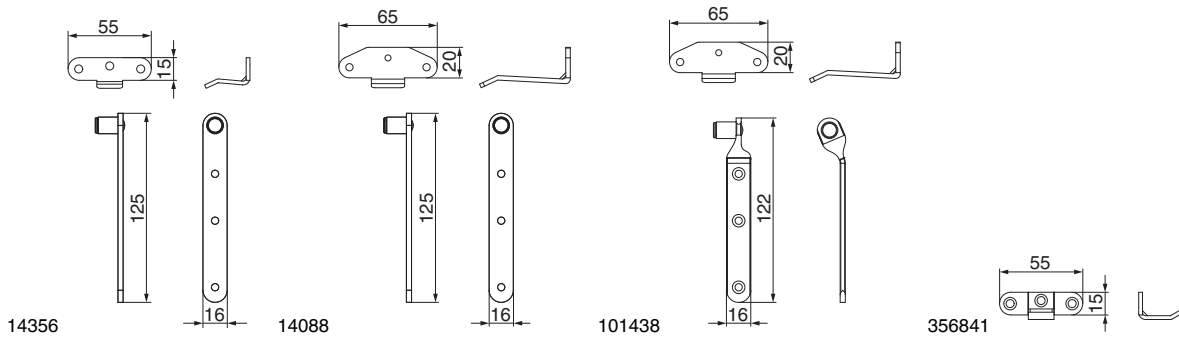
6.2 Folding shutter couplings				No
black	with lever	for 13mm distance	20	12949
		for 25mm distance	20	13101
black-S	small	for 20mm distance	20	101799
		for 25mm distance	20	101077
white	with lever	for 25mm distance	20	10223
white-S	small	for 25mm distance	20	101261




6.3 Door shutter catches as folding shutter coupling				No
black-S			1	14248
grey-S			1	102147
white-S			1	13110

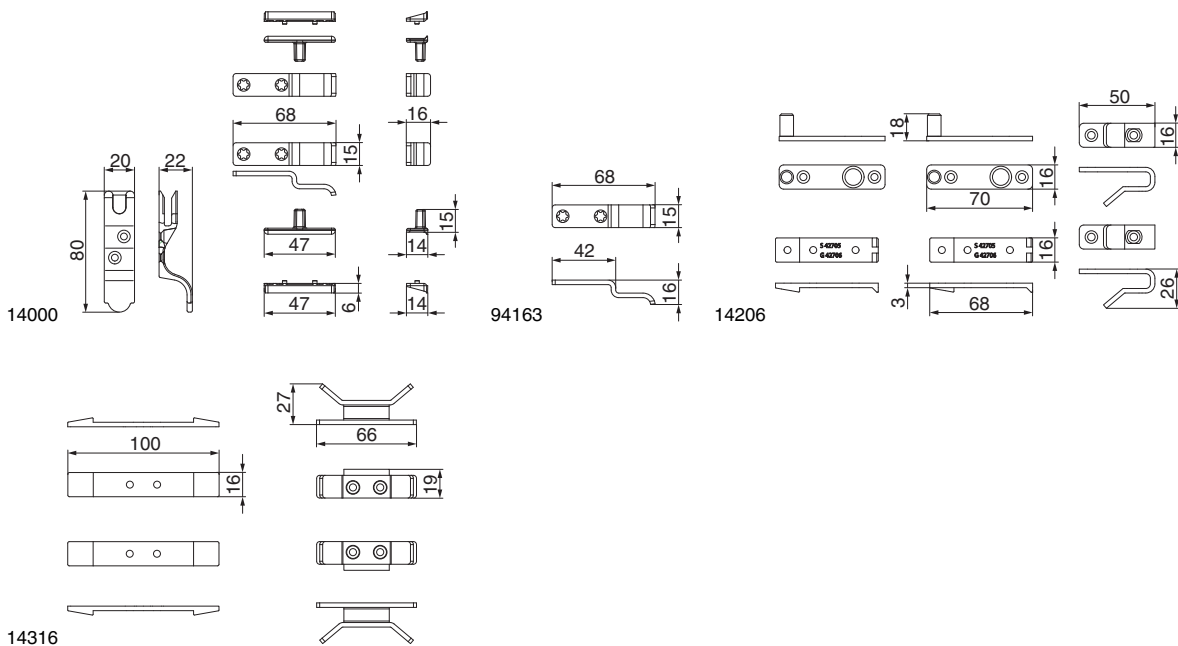


6.4 Packers for folding shutter couplings					No
black	for folding shutter coupling - slimline		2,5	50	441422
white	for folding shutter coupling - slimline		2,5	50	454768

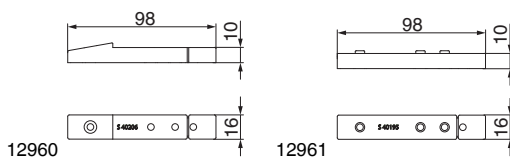


6.5 Shutter suspending run-up block				No
black-S	shutter suspending run-up block	for 0-5mm shutter distance	1	14356
		for 5-32mm shutter distance	20	14088
	shutter suspending run-up block cranked	20	101438	
	shutter suspending run-up block bottom	50	356841	
	Shutter run-up block plate	for 0-5mm shutter distance	50	360812
		for 5-32mm shutter distance	50	360398
grey-S	shutter suspending run-up block	for 0-5mm shutter distance	1	102138
		for 5-32mm shutter distance	20	102491
white-S	shutter suspending run-up block	for 0-5mm shutter distance	20	10235
		for 5-32mm shutter distance	20	101304
	shutter suspending run-up block cranked	20	101695	
	shutter suspending run-up block bottom	50	356842	





6.6 Multi-sash locking hooks				No
black-S	in pairs, multi-sashed, external pivot point	with striker pin brackets and packers	1	14000
	single multi-sashed external pivot point		200	94163
	in pairs, multi-sashed, internal pivot point	with striker pin brackets and packers	10	14206
	4-sash locking hook with internal pivot point in pairs		10	14316
grey-S	in pairs, multi-sashed, external pivot point	with striker pin brackets and packers	20	102165
	single multi-sashed external pivot point		200	359871
	in pairs, multi-sashed, internal pivot point	with striker pin brackets and packers	10	102166
white-S	in pairs, multi-sashed, external pivot point	with striker pin brackets and packers	20	12537
	single multi-sashed external pivot point		200	365862
	in pairs, multi-sashed, internal pivot point	with striker pin brackets and packers	10	101554
	4-sash locking hook with internal pivot point in pairs		10	14801



6.7 Packers for locking hooks with inside pivot point				No
black	for locking hook with internal pivot point for 10mm gap		10	12960
	for locking hook with internal pivot point for 20mm and 30mm gap		10	12961
white	for locking hook with internal pivot point for 10mm gap		20	44352
	for locking hook with internal pivot point for 20mm and 30mm gap		20	44353

7 Shutter locks

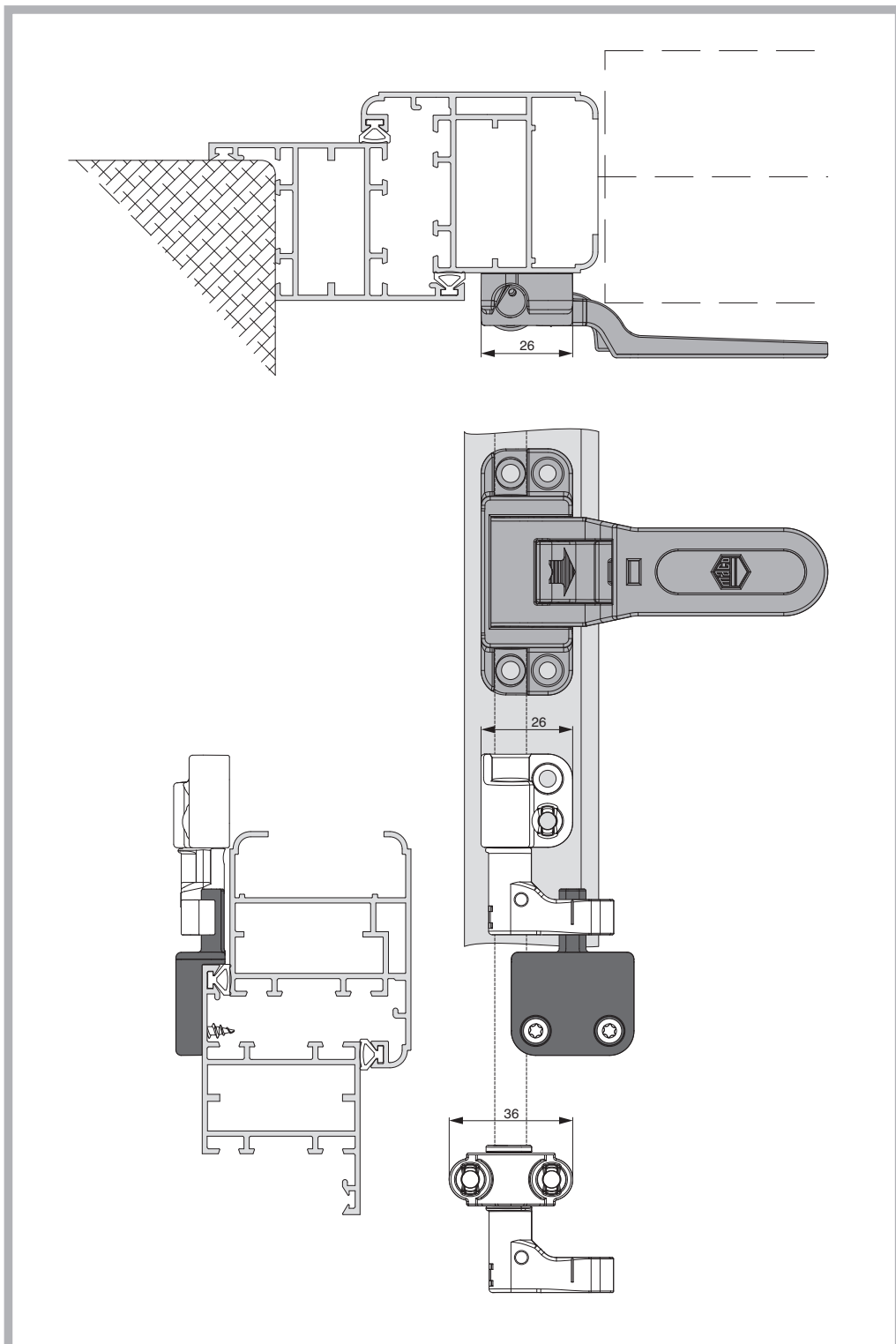
7.1 Snap locks packages	116
7.1.1 Snap locks 26mm wide	116
7.1.2 1F shutter locks 40mm wide	118
7.1.3 2F shutter locks	120
7.2 Locking rods	123
7.2.1 Locking rods	123
7.2.2 Rod guides	123
7.3 Striker pin brackets for frame installation	124
7.3.1 R1 striker pin brackets for frame installation	124
7.3.2 R2 striker pin brackets for frame installation	124
7.3.3 R3 striker pin brackets for frame installation	126
7.3.4 R4 striker pin brackets for frame installation	127
7.3.5 R5 striker pin brackets for frame installation	127
7.3.6 R6 striker pin brackets for frame installation	128
7.3.7 R7 striker pin brackets for frame installation	128
7.3.8 R8 striker pin brackets for frame installation	129
7.3.9 R11 striker pin bracket for frame installation	129
7.4 Striker pin brackets for masonry installation	130
7.4.1 Striker pin brackets for masonry installation	130
7.4.2 Packers for M2 striker pin brackets for masonry installation	130
7.4.3 Screwing bushes	130
7.5 Shutter lock end pieces	131
7.5.1 Shutter lock end pieces	131
7.5.2 Packers for shutter lock end pieces	131
7.5.3 Stop tabs for shutter lock end pieces	131
7.5.4 Turn-alignment for shutter lock end pieces	131
7.5.5 Shootbolt locking bush for shutter lock end pieces	132
7.6 Multi-point locking rods separate parts	133
7.6.1 Snap locks - loose	133
7.6.2 Crank handle for 2F shutter lock - loose	133
7.6.3 Packers 2F rod guides	133
7.6.4 Packers 2F locking brackets	133
7.6.5 Packers locking hooks	134
7.6.6 Protective blocks	134
7.7 Centre locks	135
7.7.1 for 1-sashed shutters	135
7.7.2 for 2-sashed shutters, with ring part	135
7.7.3 Locking plates for double-sash shutter lock	135
7.7.4 Packers for centre lock	135

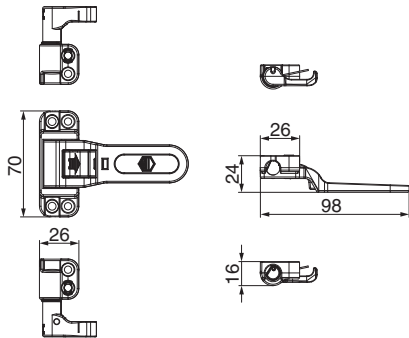


7 Shutter locks

7.1 Snap locks packages

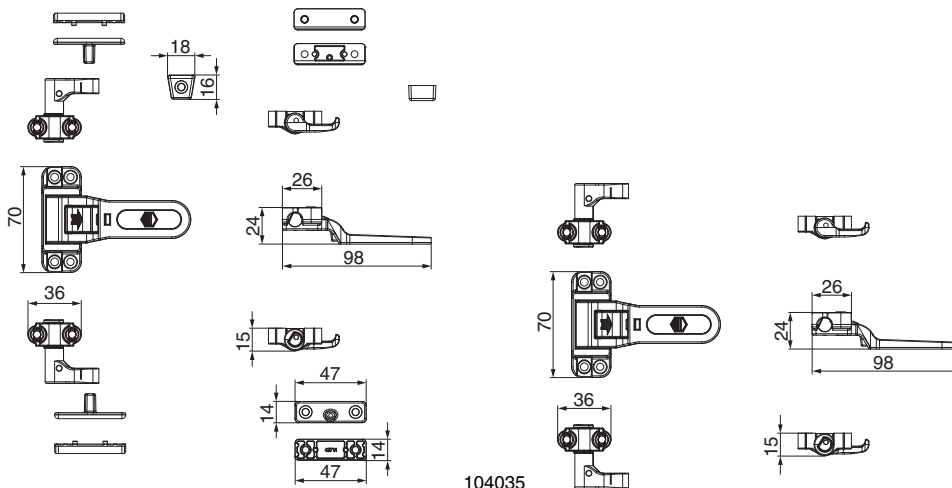
7.1.1 Snap locks 26mm wide





104033

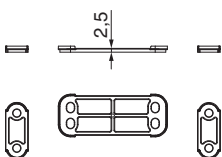
7.1.1.1 Snap locks 26mm wide with spring-loaded locking hooks 26mm wide			L		No
black-S	without striker pin brackets without protective block	with 26mm wide spring-loaded locking hooks	98	1	104033



104036

104035

7.1.1.2 Snap locks 26mm wide with locking hooks 36mm wide			L		No
black-S	with striker pin brackets and packers with protective block	with 36mm wide locking hooks	98	1	104036
	without striker pin brackets without protective block	with 36mm wide locking hooks	98	1	104035
grey-S	with striker pin brackets and packers with protective block	with 36mm wide spring-loaded locking hooks	98	1	104037
	without striker pin brackets without protective block	with 36mm wide locking hooks	98	1	104056
white-S	with striker pin brackets and packers with protective block	with 36mm wide locking hooks	98	1	104054
	without striker pin brackets without protective block	with 36mm wide locking hooks	98	1	104053
		with 36mm wide spring-loaded locking hooks	98	1	104055

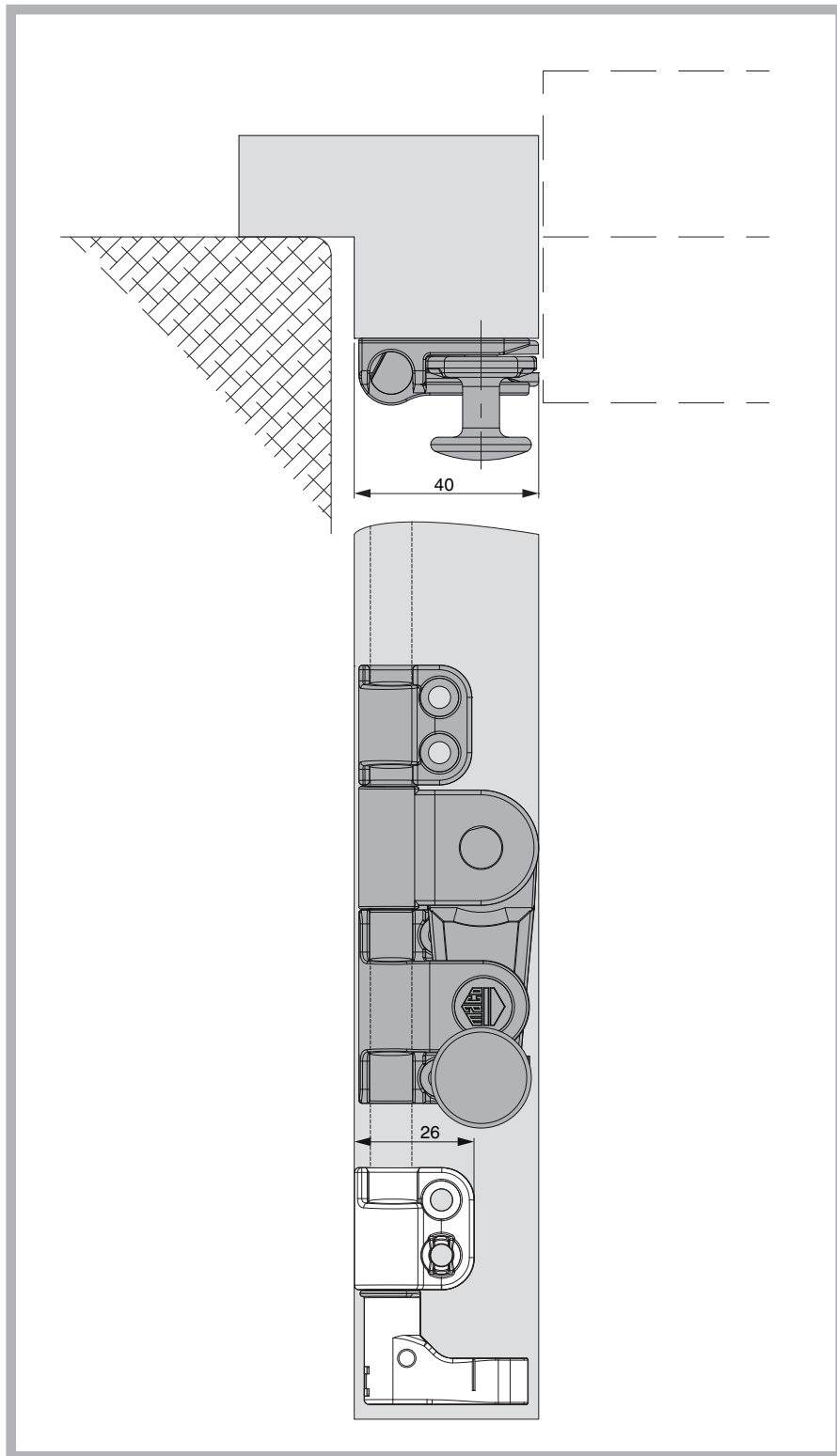


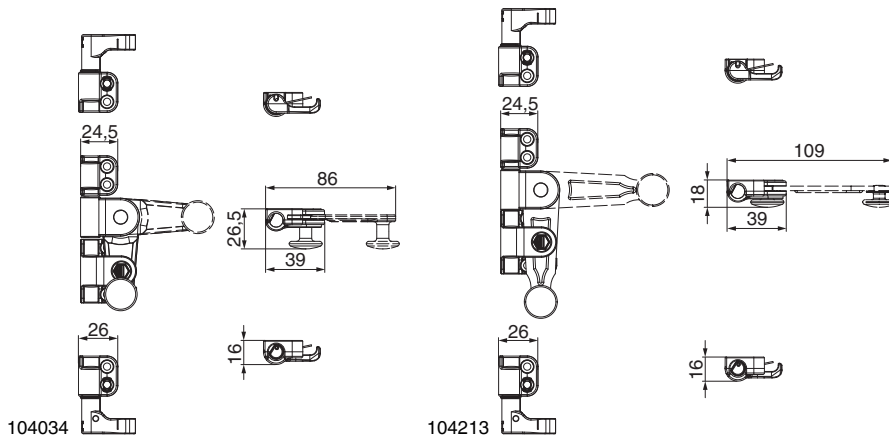
368162

7.1.1.3 Packers for snap lock and locking hooks					No
black	for snap lock and 36mm wide locking hooks	stackable 2.5mm high	2,5	50	368162
grey	for snap lock and 36mm wide locking hooks	stackable 2.5mm high	2,5	50	368213
white	for snap lock and 36mm wide locking hooks	stackable 2.5mm high	2,5	50	368212

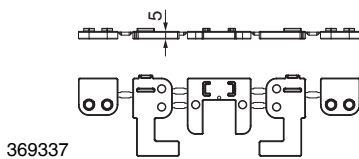


7.1.2 1F shutter locks 40mm wide





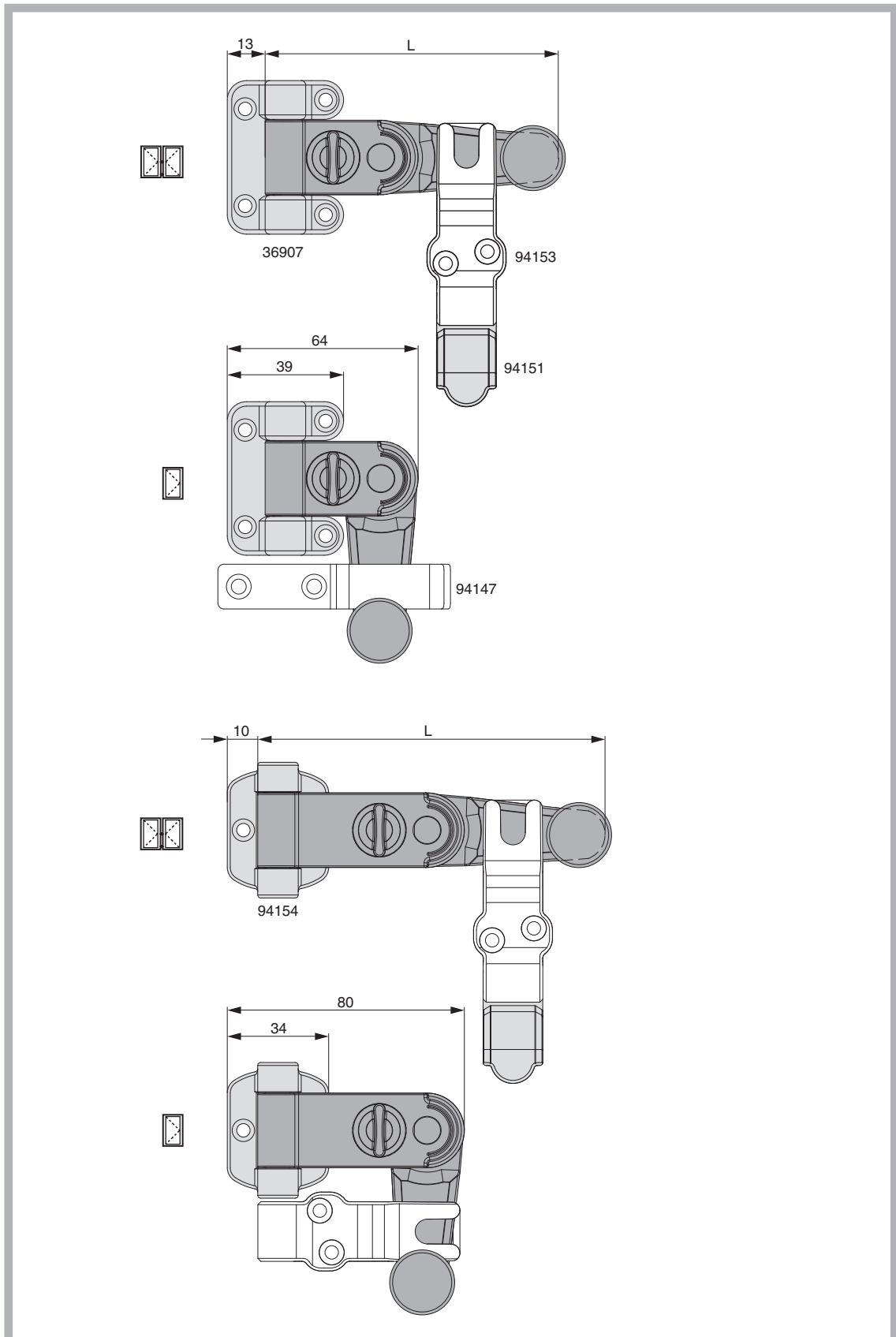
7.1.2.1 1F shutter locks with spring-loaded locking hooks 26mm wide				L		No
black-S	shutter lock 1F without striker pin brackets without protective block	left/right	40 wide	86	1	104034
	shutter lock 1F with low head without striker pin brackets without protective block	left/right	40 wide	109	1	104213
grey-S	shutter lock 1F without striker pin brackets without protective block	left/right	40 wide	88	20	104624
white-S	shutter lock 1F without striker pin brackets without protective block	left/right	40 wide	86	20	104654
	shutter lock 1F with low head without striker pin brackets without protective block	left/right	40 wide	109	20	104617

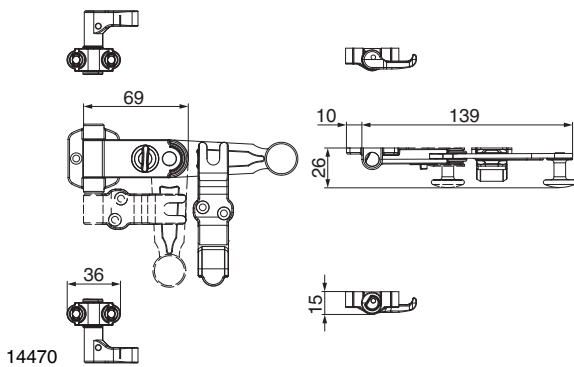
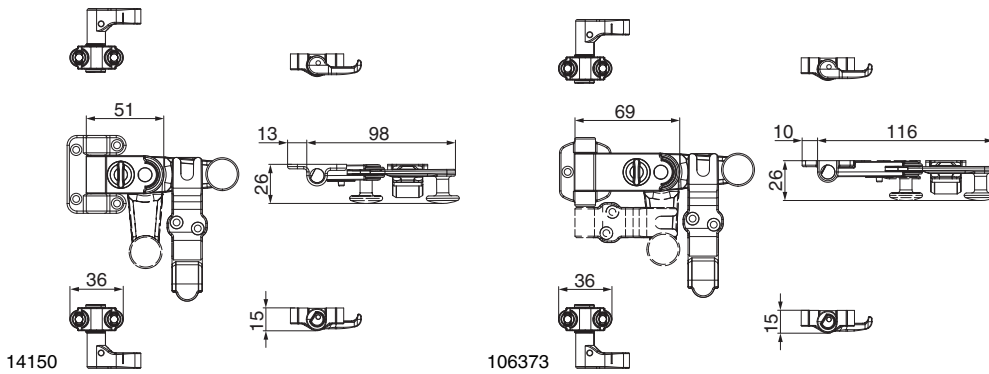


7.1.2.2 Packer 1F shutter lock, locking hooks and rod guide						No
black	for shutter lock 1F and 26mm wide locking hooks and rod guide		stackable 5mm high	5	50	369337

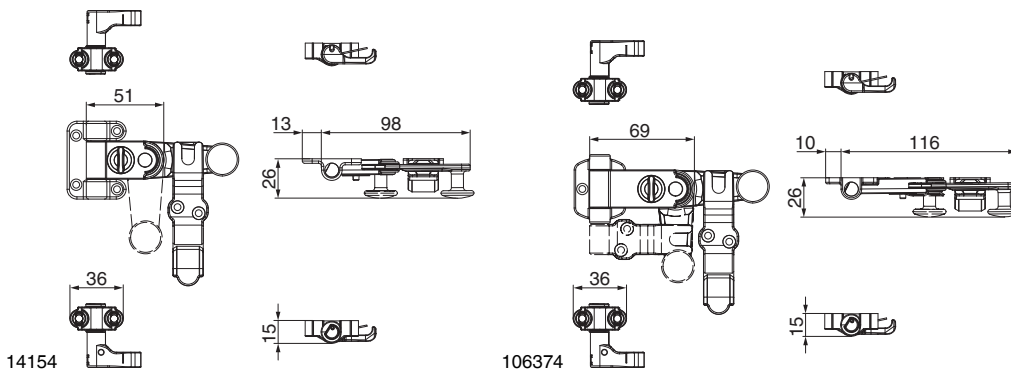


7.1.3 2F shutter locks



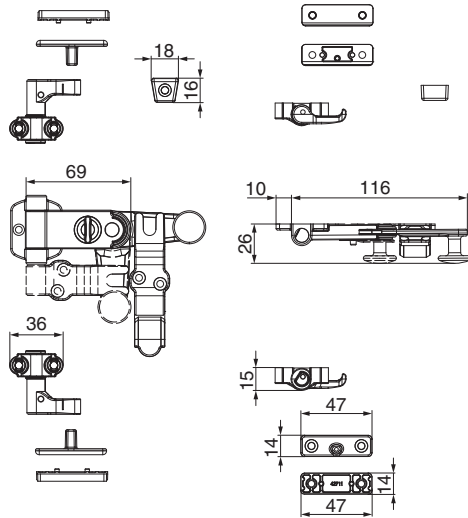


7.1.3.1 2F shutter locks with locking hooks			L		Nº
black-S	with short crank handle	with 36mm wide locking hooks	98	1	14150
	with long crank handle	with 36mm wide locking hooks	139	1	14470
	with standard crank handle	with 36mm wide locking hooks	116	1	106373
grey-S	with short crank handle	with 36mm wide locking hooks	98	1	102251
	with long crank handle	with 36mm wide locking hooks	139	1	102252
	with standard crank handle	with 36mm wide locking hooks	116	1	102481
white-S	with long crank handle	with 36mm wide locking hooks	139	1	100040
	with standard crank handle	with 36mm wide locking hooks	116	1	13267



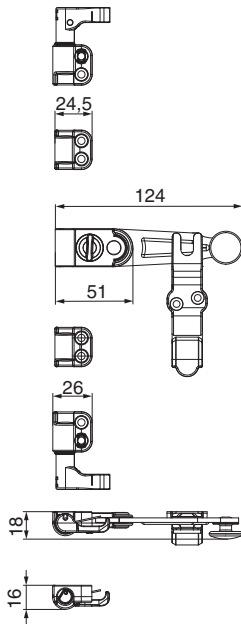
7.1.3.2 2F shutter locks with spring-loaded locking hooks			L		Nº
black-S	with short crank handle	with 36mm wide spring-loaded locking hooks	98	1	14154
	with long crank handle	with 36mm wide spring-loaded locking hooks	139	1	14364
	with standard crank handle	with 36mm wide spring-loaded locking hooks	116	1	106374
grey-S	with short crank handle	with 36mm wide spring-loaded locking hooks	98	1	102477
	with long crank handle	with 36mm wide spring-loaded locking hooks	139	1	102483
	with standard crank handle	with 36mm wide spring-loaded locking hooks	116	1	102152





14208

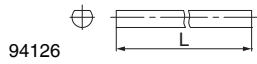
7.1.3.3 2F shutter locks with striker pin brackets with packers with protection block				L		No
black-S	with standard crank handle	with 36mm wide locking hooks	116	20	14208	
grey-S	with standard crank handle	with 36mm wide locking hooks	116	1	102469	
white-S	with standard crank handle	with 36mm wide locking hooks	116	1	13273	



106375

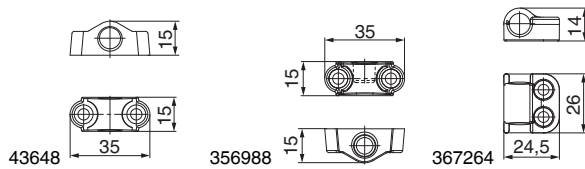
7.1.3.4 2F shutter lock with spring-loaded/slim locking hooks				L		No
black-S	with standard crank handle	with 26mm wide spring-loaded locking hooks	116	1	106375	

7.2 Locking rods

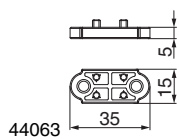


7.2.1 Locking rods		L		Nº
black-S		1.400	10	94126
		2.200	10	94130
		2.600	10	94134
grey-S		1.400	10	465217
		2.200	10	465218
		2.600	10	465220
white-S		1.400	10	30053
		2.200	10	36860
		2.600	10	97509

7.2.2 Rod guides



7.2.2.1 Rod guides			Nº
black	36mm wide		100 43648
		closed	20 356988
black-S	26mm wide		50 367264
grey	36mm wide		100 359888
		closed	20 360958
white	36mm wide		100 43649
		closed	20 365566

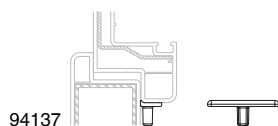


7.2.2.2 Packers rod guides				Nº
black	for 36mm wide rod guide		5 100	44063
			8 100	364330
grey	for 36mm wide rod guide		5 100	359901
white	for 36mm wide rod guide		5 100	44072

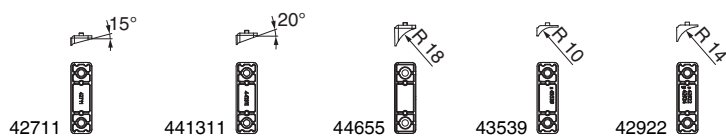


7.3 Striker pin brackets for frame installation

7.3.1 R1 striker pin brackets for frame installation

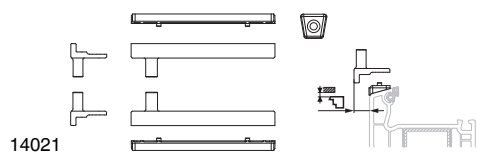


7.3.1.1 R1 striker pin brackets for frame installation					No
black-S	single		50		94137
grey-S	single		50		212479
white-S	single		50		39020

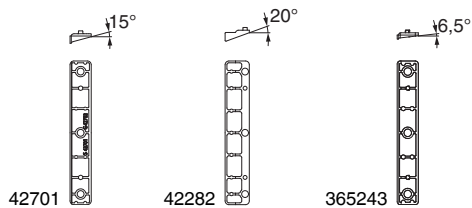



7.3.1.2 Packers for R1 striker pin brackets for frame installation			L			No
black		15° pitched	47	100		42711
		20° pitched	47	100		441311
		Alphacan R18	47	100		44655
		r = 10	47	100		43539
		r = 14	47	500		42922
grey		15° pitched	47	100		360166
white		15° pitched	47	100		40044
		20° pitched	47	100		44422
		Alphacan R18	47	100		44654

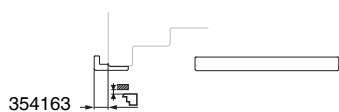
7.3.2 R2 striker pin brackets for frame installation

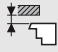



7.3.2.1 R2 striker pin brackets for frame installation					No		
black-S	in pairs	with 15° packer and protective block		10	20	14021	
				17	20	14024	
	single		left	10	50	94433	
			right	10	50	94434	
			left	17	50	97500	
			right	17	50	94184	
			left	34	20	97501	
			right	34	20	97502	
	grey-S	in pairs	with 15° packer and protective block		10	20	102377
	white-S	in pairs	with 15° packer and protective block		17	20	12563
single			left	10	50	36862	
			right	10	50	36864	
			right	17	50	36866	



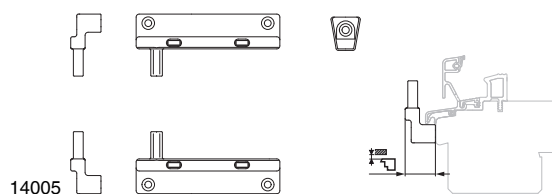
7.3.2.2 Packers for R2 striker pin brackets for frame installation		L		Nº
black	15° pitched	95	200	42701
	20° pitched	95	200	42282
	6.5° pitched	95	200	365243
white	15° pitched	95	100	40043



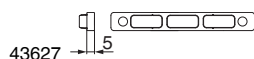
7.3.2.3 R2 arm fixing brackets for frame installation				Nº
black-S	single	10	50	94141
		17	50	94143
white-S	single	17	50	354163



7.3.3 R3 striker pin brackets for frame installation



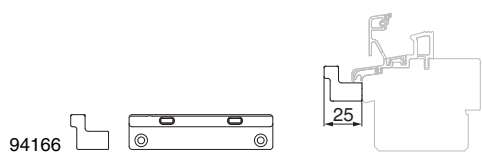
7.3.3.1 R3 striker pin brackets for frame installation					No
black-S	in pairs	with protective block	17	1	14005
			20	20	14008
			25	20	14011
grey-S	in pairs	with protective block	17	1	102757
white-S	in pairs	with protective block	17	20	10327
			20	20	10330
			25	20	10333



7.3.3.2 Packers for R3 striker pin brackets for frame installation				L		No
black			5	95	100	43627
white			5	95	100	43851

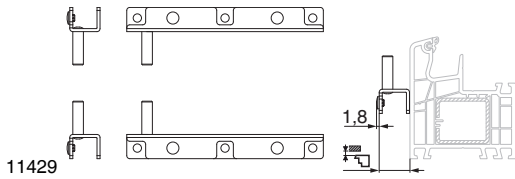


7.3.3.3 Buffers for R3 striker pin brackets for frame installation				No
black	1.3mm high		100	42911
white	1.3mm high		100	44277



7.3.3.4 R3 arm fixing brackets for frame installation					No
black-S	single		17	20	360441
			25	20	94166

7.3.4 R4 striker pin brackets for frame installation

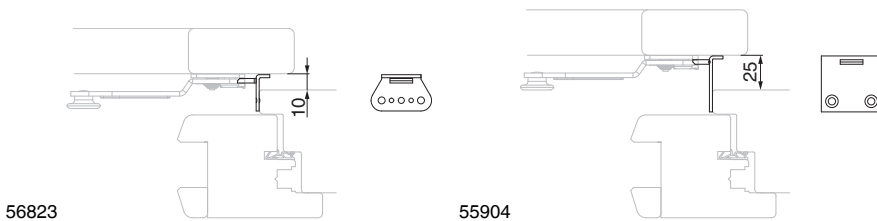


7.3.4.1 R4 striker pin brackets for frame installation					No
black-S	in pairs	with buffer 1.8mm	15	50	11429
			20	20	11459
			25	20	11465
			30	20	11467
white-S	in pairs	with buffer 1.8mm	15	50	11456
			20	20	11462
			25	20	11466

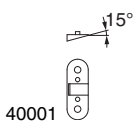


7.3.4.2 Buffers for R4 striker pin brackets for frame installation				No
black	1.3mm high	100	44444	
	1.8mm high	100	44333	
white	1.3mm high	100	44443	

7.3.5 R5 striker pin brackets for frame installation



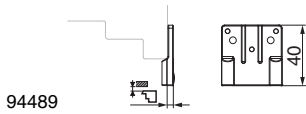
7.3.5.1 R5 striker pin brackets for frame installation					No
black-S	0	100	56819		
	10	100	56823		
	17	100	56827		
	25	100	55904		
white-S	0	100	28828		
	10	100	28829		
	17	100	28830		



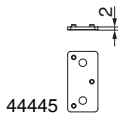
7.3.5.2 Packers for R5/R7/R11 striker pin brackets for frame installation			L		No
black	15° pitched	40	100	40001	
grey	15° pitched	40	100	465213	
white	15° pitched	40	100	43850	



7.3.6 R6 striker pin brackets for frame installation



7.3.6.1 R6 striker pin brackets for frame installation				No
black-S	40mm high	4	50	94489
	50mm high	4	50	202366

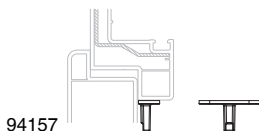


7.3.6.2 Packers for R6 striker pin brackets for frame installation			L		No
black	stackable	2	40	100	44445
white	stackable	2	40	100	44455

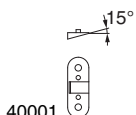


7.3.6.3 Buffers for R6 striker pin brackets for frame installation			No
black	1.3mm high	100	44444
	1.8mm high	100	44333
white	1.3mm high	100	44443

7.3.7 R7 striker pin brackets for frame installation

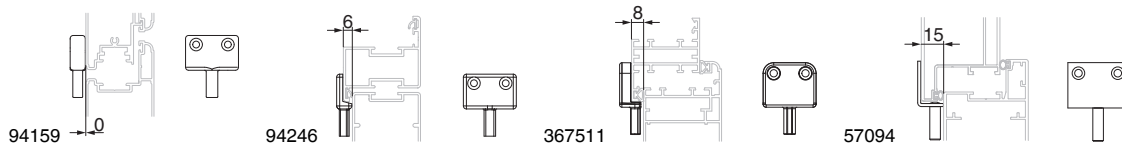


7.3.7.1 R7 striker pin brackets for frame installation			No
black-S		50	94157
grey-S		50	359870
white-S		50	97531




7.3.7.2 Packers for R5/R7/R11 striker pin brackets for frame installation		L		No
black	15° pitched	40	100	40001
grey	15° pitched	40	100	465213
white	15° pitched	40	100	43850

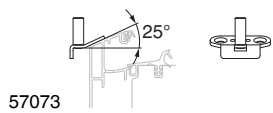
7.3.8 R8 striker pin brackets for frame installation



7.3.8.1 R8 striker pin brackets for frame installation

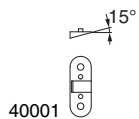
			N^o
black-S	rebate leg 0	50	94159
	rebate leg 6	50	94246
	rebate leg 8	50	367511
	rebate leg 15	100	57094
grey-S	rebate leg 0	50	361183
	rebate leg 15	100	211809
white-S	rebate leg 0	50	364275

7.3.9 R11 striker pin bracket for frame installation



7.3.9.1 R11 striker pin bracket for frame installation

			N^o
black-S	25° pitched	200	57073

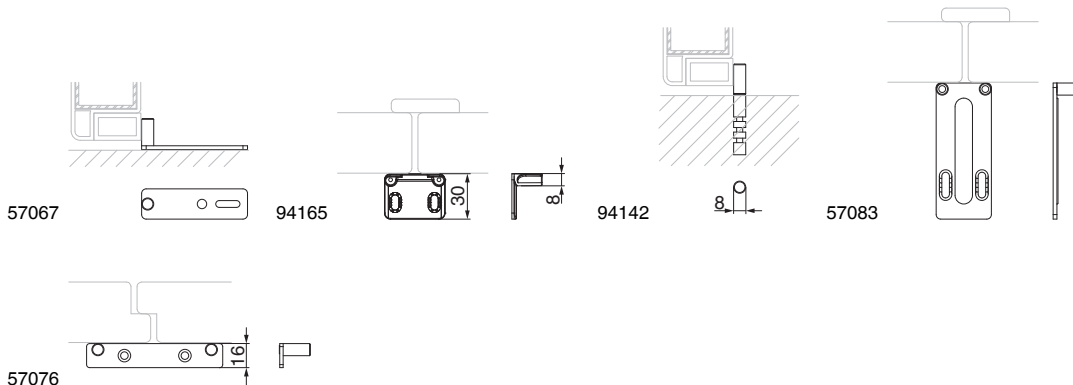


7.3.9.2 Packer for R5/R7/R11 striker pin brackets for frame installation

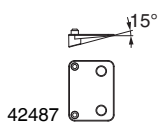
		L		N^o
black	15° pitched	40	100	40001



7.4 Striker pin brackets for masonry installation

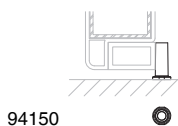


7.4.1 Striker pin brackets for masonry installation					No
black-S	M1	in pairs with screws and rawplugs	1		14003
		single	50		57067
	M2,d=8	single with rawplug	1		14176
		single without rawplugs and screws	50		94165
	M3	single	50		94142
	M4, size 1 (40-60)	single without rawplugs and screws	20		57083
grey-S	M4, size 2 (60-80)	single without rawplugs and screws	20		57082
	M5	single	50		57076
	M2,d=8	single without rawplugs and screws	50		359867
	M4, size 1 (40-60)	single without rawplugs and screws	20		211578
white-S	M4, size 2 (60-80)	single without rawplugs and screws	20		211960
	M5	single	50		211506
	M1	in pairs with screws and rawplugs	1		14025
	M2,d=8	single with rawplug	1		14026
	M4, size 1 (40-60)	single without rawplugs and screws	20		206077
	M5	single	50		57215



42487

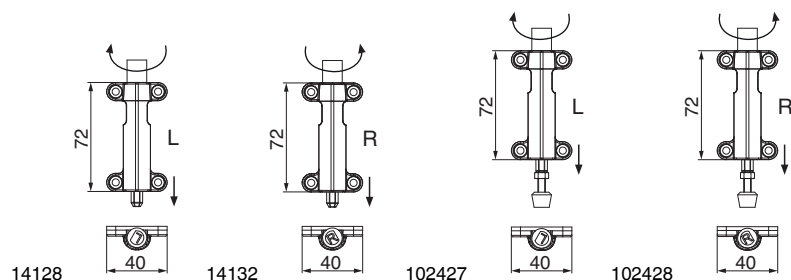
7.4.2 Packers for M2 striker pin brackets for masonry installation				L		No
black	M2	15° pitched	40	100	42487	



94150

7.4.3 Screwing bushes					No
Rustico screwing bush black-S				50	94150
Rustico screwing bush grey-S				50	361320

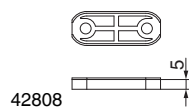
7.5 Shutter lock end pieces



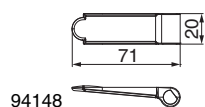
7.5.1 Shutter lock end pieces				No
black-S	shutter lock end piece with shootbolt protrusion	locking to the left	20	14128 ¹
		locking to the right	20	14132 ¹
	shutter lock end piece with shootbolt protrusion and rubber buffer	locking to the left	20	102427 ^{1,2}
		locking to the right	20	102428 ^{1,2}
grey-S	shutter lock end piece with shootbolt protrusion	locking to the left	20	102140 ¹
		locking to the right	20	102141 ¹
white-S	shutter lock end piece with shootbolt protrusion	locking to the left	20	11248 ¹
		locking to the right	20	11249 ¹
	shutter lock end piece with shootbolt protrusion and rubber buffer	locking to the left	20	102470 ^{1,2}
		locking to the right	20	102471 ^{1,2}

¹ These parts are excluded from the 10-year surface guarantee.

² Using gasket compression to latch does not produce a high resistance to storms.



7.5.2 Packers for shutter lock end pieces				No
black	for shutter lock end piece with shootbolt protrusion		5 100	42808
			8 100	364332
grey	for shutter lock end piece with shootbolt protrusion		5 100	359900
white	for shutter lock end piece with shootbolt protrusion		5 100	363325

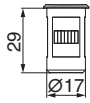


7.5.3 Stop tabs for shutter lock end pieces				No
black-S	stop tab for shutter lock end piece		20	94148
grey-S	stop tab for shutter lock end piece		20	359859
white-S	stop tab for shutter lock end piece		20	358473
black	buffer for self-adhesive stop tab		50	370103



7.5.4 Turn-alignment for shutter lock end pieces				No
silver	turn-alignment for left-handed shutter lock end piece on folding shutters		100	39126 ¹
	turn-alignment for right-handed shutter lock end piece on folding shutters		100	39125 ¹

¹ Required for folding shutters with shutter end piece.



59432

7.5.5 Shootbolt locking bush for shutter lock end pieces



Nº

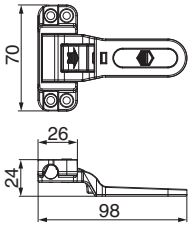
shootbolt locking bush with lid/spring-loaded cover silver

20

59432¹

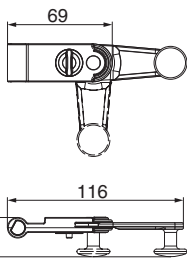
¹ This part is excluded from the 10-year guarantee.

7.6 Multi-point locking rods separate parts



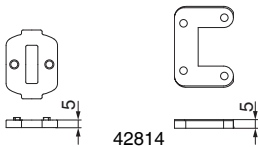
219841

7.6.1 Snap locks - loose		L		No
black-S	snap lock 26 wide	98	1	219841
grey-S	snap lock 26 wide	98	1	225586
white-S	snap lock 26 wide	98	1	225585



250798

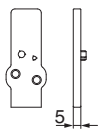
7.6.2 Crank handle for 2F shutter lock - loose		L		No
black-S	crank handle for shutter lock	116	50	250798



41514

42814

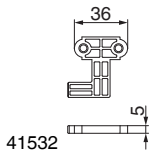
7.6.3 Packers 2F rod guides				No
black	for 2-sash rod guide for crank handle	5	100	41514
	for 2-sash rod guide for short crank handle	8	100	44184
grey	for 2-sash rod guide for crank handle	5	100	359899
white	for 2-sash rod guide for crank handle	5	100	355950





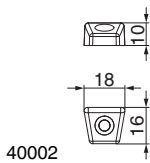
41521


7.6.4 Packers 2F locking brackets				No
black	for multi-purpose double-sashed shutter latch	5	100	41521
	for multi-purpose double-sashed shutter latch	8	100	44182
grey	for multi-purpose double-sashed shutter latch	5	100	359894
white	for multi-purpose double-sashed shutter latch	5	100	355951



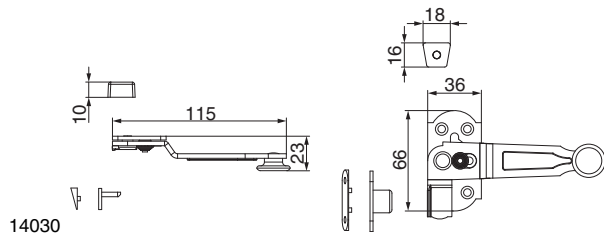


7.6.5 Packers locking hooks			W		Nº
black	for 36mm wide locking hook	5	36	100	41532
		8	36	100	44180
grey	for 36mm wide locking hook	5	36	100	359898
white	for 36mm wide locking hook	5	36	100	355952



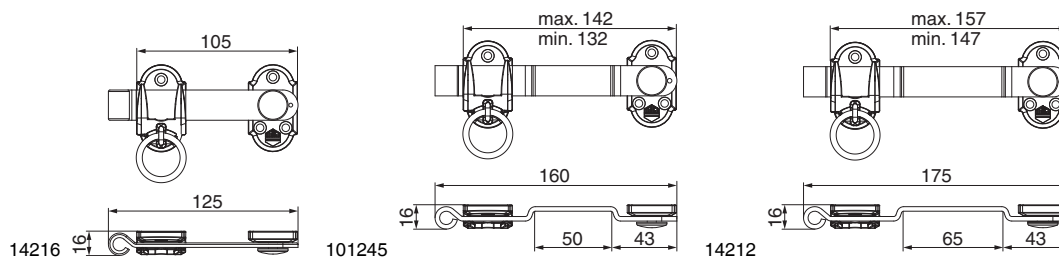
7.6.6 Protective blocks			Nº
dark brown	10mm high	100	40002
	20mm high	100	40418
	30mm high	20	41632
grey	10mm high	100	359892
	20mm high	100	357950
white	10mm high	100	40058
	20mm high	100	40571

7.7 Centre locks



14030

7.7.1 for 1-sashed shutters				No
black-S	with striker pin brackets and packers with protective block	right	20	14027
		left	20	14030
grey-S	with striker pin brackets and packers with protective block	right	20	102150
		left	20	102151
white-S	with striker pin brackets and packers with protective block	right	20	13095
		left	20	13096

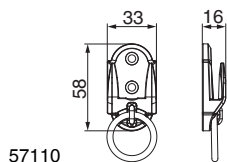


14216

101245

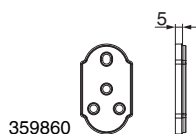
14212

7.7.2 for 2-sashed shutters, with ring part		L		No
black-S	with short crank handle	125	20	14216
	with 160mm offset crank handle	160	20	101245
	with 175mm offset crank handle	175	20	14212
grey-S	with short crank handle	125	20	102149
	with 175mm offset crank handle	175	20	102148
white-S	with short crank handle	125	20	13308
	with 160mm offset crank handle	160	20	101247
	with 175mm offset crank handle	175	20	13187



57110

7.7.3 Locking plates for double-sash shutter lock			No
black-S	locking plate for double-sash shutter lock	20	57110



359860

7.7.4 Packers for centre lock				No
black	stackable 5mm high	5	100	359860
white	stackable 5mm high	5	100	361191

MACO
RUSTICO



Shutter Locks



8 Shutter catches

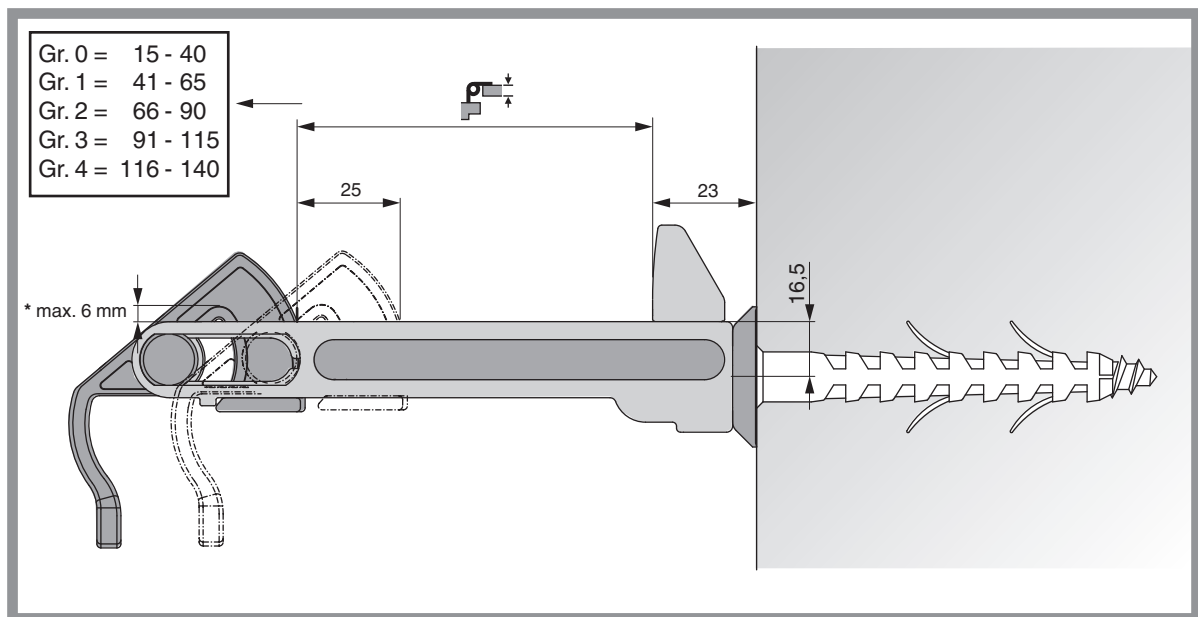
8.1	Shutter catches "Classic" model	138
8.1.1	Application range with default setting	138
8.1.2	Application range with additional distance to wall	139
8.1.3	Shutter catches "Classic" model with cover disk without fixing bolts	140
8.1.4	Shutter catches "Classic" model with "Fir cone head" model	140
8.2	Shutter catches "Fir cone head" model with cover disk, with shutter protection-bracket	140
8.3	Installation accessories for shutter catches "Classic" and "Fir cone head" models	141
8.4	Door shutter catches	142
8.4.1	Package door shutter catches	142
8.4.2	Packers for door shutter catches	142
8.5	Comfort shutter catches	143
8.5.1	Comfort shutter catches for windows	143
8.5.2	Comfort shutter catches for doors	143
8.5.3	Packers for comfort shutter catches	143
8.5.4	Reinforcing corner brackets for comfort shutter catches for doors	143
8.6	Fixing material for shutter catches	144
8.6.1	Assembly instructions for fixing bolts	144
8.6.2	Fixing bolts and accessories	145
8.6.3	Support plates for shutter catches	146
8.6.4	Cover disks for shutter catches	146
8.7	Jigs for shutter catches	147



8 Shutter catches

8.1 Shutter catches "Classic" model

8.1.1 Application range with default setting

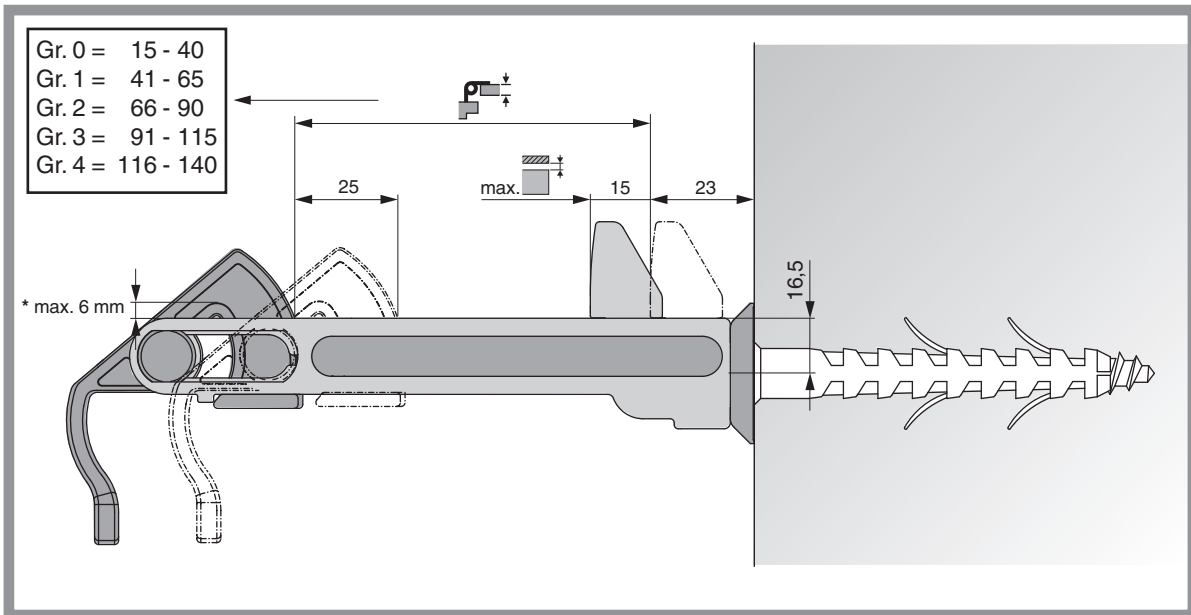


* max. 6mm distance to bottom edge of shutter

Calculation of application range with default setting

35mm	Shutter thickness
+ 0mm	Additional distance to wall
<hr/>	
= 35mm	Application range
<hr/>	
→	Shutter catch size 0 (15-40mm)

8.1.2 Application range with additional distance to wall

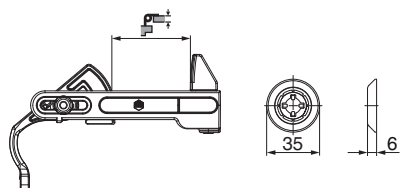


* max. 6mm distance to bottom edge of shutter

Calculation of application range with additional wall distance

35mm	Shutter thickness
+ 15mm	Additional distance to wall
<hr/>	
= 50mm	Application range
<hr/>	
→	Shutter catch size 1 (41-65mm)





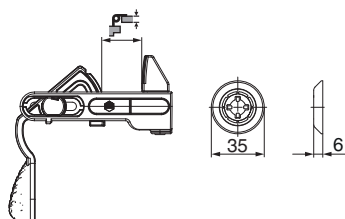
10860

8.1.3 Shutter catches "Classic" model with cover disk without fixing bolts



No

black-S	size 0	15 - 40	20	10860
	size 1	41 - 65	20	10865
	size 2	66 - 90	20	10868
	size 3	91 - 115	20	10871
	size 4	116 - 140	20	10874
grey-S	size 0	15 - 40	20	102142
	size 1	41 - 65	20	102143
	size 2	66 - 90	20	102144
	size 3	91 - 115	20	102145
	size 4	116 - 140	20	102146
white-S	size 0	15 - 40	20	10862
	size 1	41 - 65	20	10867
	size 2	66 - 90	20	10870
	size 3	91 - 115	20	10873
	size 4	116 - 140	20	10876



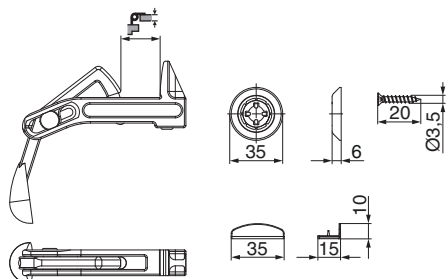
106366

8.1.4 Shutter catches "Classic" model with "Fir cone head" model



No

jet black RAL 9005	size 0	15 - 40	20	106366
	size 1	41 - 65	20	106367
	size 2	66 - 90	20	106368
	size 3	91 - 115	20	106369



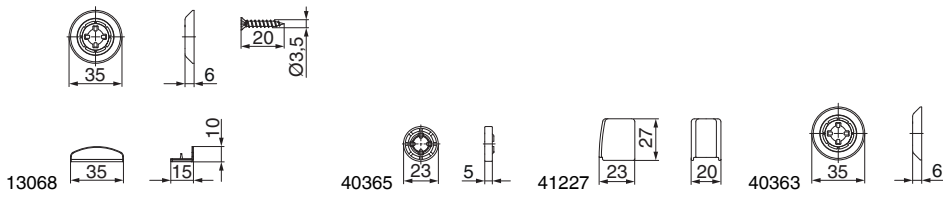
13058

8.2 Shutter catches "Fir cone head" model with cover disk, with shutter protection-bracket



No

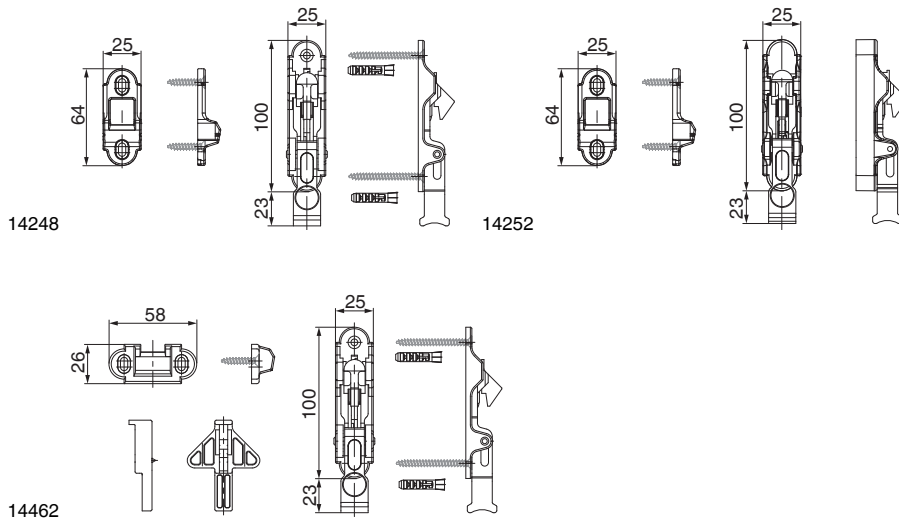
black-S	size 0	12 - 35	20	13065
	size 1	25 - 50	20	13058
	size 2	50 - 75	20	13059
	size 3	75 - 100	20	13060



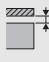

8.3 Installation accessories for shutter catches "Classic" and "Fir cone head" models				No
black	accessories pack for shutter catches		20	13068
	spacer for shutter catches	5mm	50	40365
		10mm	50	40370
	clip-on component for shutter catch fir cone	15mm	50	41227
	cover disk for shutter catches	Ø 35x6mm	100	40363
grey	spacer for shutter catches	10mm	50	361313
	cover disk for shutter catches	Ø 35x6mm	100	465212
white	accessories pack for shutter catches		20	13078
	spacer for shutter catches	10mm	50	40644
	cover disk for shutter catches	Ø 35x6mm	20	40642



8.4 Door shutter catches

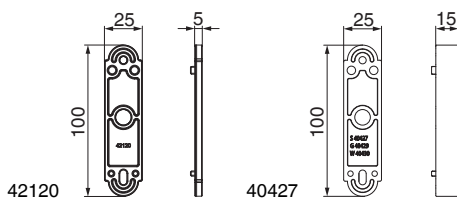


8.4.1 Package door shutter catches



				No
black-S	door shutter catch	25	1	14248¹
	door shutter catch for fixing bolt	35	1	14252²
	door shutter catch with short locking console	25	20	14462¹
grey-S	door shutter catch	25	1	102147¹
	door shutter catch for fixing bolt	35	1	102376²
white-S	door shutter catch	25	1	13110¹
	door shutter catch for fixing bolt	35	1	13111²

¹ Packaging contents: 1 shutter catch for doors, 2 chipboard screws 4,5x25, 2 rawlplugs S6, 2 chipboard screws 4,5x50.

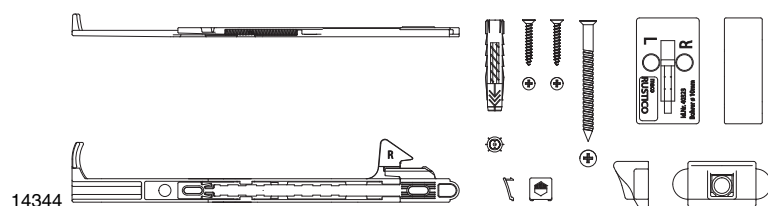
² Packaging contents: 1 shutter catch for doors, 2 chipboard screws 4,5x25.



8.4.2 Packers for door shutter catches

			W	L		No
black	for door shutter catches	stackable 5mm high	5	25	100	42120
		stackable 15mm high	15	25	100	40427
grey	for door shutter catches	stackable 5mm high	5	25	100	360621
		stackable 15mm high	15	25	100	360619
white	for door shutter catches	stackable 5mm high	5	25	100	42122
		stackable 15mm high	15	25	100	40430

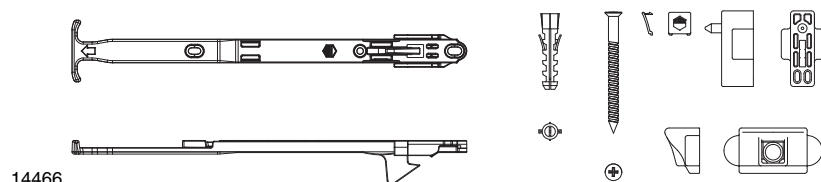
8.5 Comfort shutter catches



8.5.1 Comfort shutter catches for windows					No
black-S	with screws and Ø10mm rawlplugs	right	25	20	14344 ^{1,2}
		left	25	20	14348 ^{1,2}
grey-S	with screws and Ø10mm rawlplugs	right	25	20	102315 ^{1,2}
		left	25	20	102316 ^{1,2}
white-S	with screws and Ø10mm rawlplugs	right	25	20	13003 ^{1,2}
		left	25	20	13004 ^{1,2}

¹ Application ranges: max. shutter weight 20kg, with MMV 30kg.

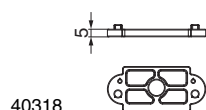
² Package contents: 1 shutter catch for windows, 3 screws 4x30 / 4,5x30 / 70x80, 1 rawlplug S10, 1 locking console, 1 jig.



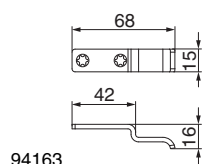
8.5.2 Comfort shutter catches for doors					No
black-S	with screws and Ø10mm rawlplugs	33	20	14466 ^{1,2}	
grey-S	with screws and Ø10mm rawlplugs	33	20	102317 ^{1,2}	
white-S	with screws and Ø10mm rawlplugs	33	20	10791 ^{1,2}	

¹ Package contents: 1 shutter catch for doors, 4 screws 4x25 / 4,5x25 / 7x80, 1 rawlplug 10x50, 1 locking console, 1 jig.

² Max. shutter weight 20kg. Use of item no. 94163 increases the permissible shutter weight to 30kg.



8.5.3 Packers for comfort shutter catches				W	L		No
black	for comfort shutter catch	stackable 5mm high	5	25	100	50	40318
		stackable 20mm high	20	25	100	50	40377
grey	for comfort shutter catch	stackable 5mm high	5	25	100	50	361190
		stackable 20mm high	20	25	100	50	361314
white	for comfort shutter catch	stackable 5mm high	5	25	100	50	40319
		stackable 20mm high	20	25	100	50	40378

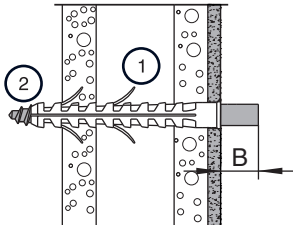


8.5.4 Reinforcing corner brackets for comfort shutter catches for doors				No
black-S		200	94163	
grey-S		200	359871	
white-S		200	365862	

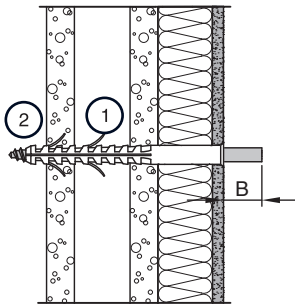
8.6 Fixing material for shutter catches

8.6.1 Assembly instructions for fixing bolts

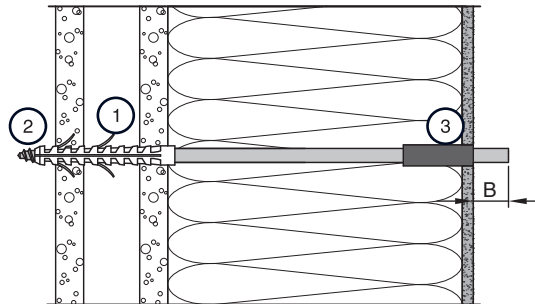
Without wall insulation
Fixing bolt L96 and L140



With wall insulation
Fixing bolt L180, L215 and L265



Fixing bolt L350 and L450



B = Fixing bolt distance

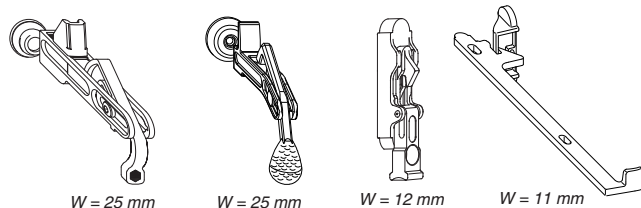
- 1 The dowel pin must be long enough to penetrate through two brick walls. It must be ensured that the dowel pin spreads vertically. Otherwise, the brick could break.
- 2 The fixing bolt must be fastened through the dowel pin.
- 3 When using L350 and L450 fixing bolts, it must be ensured that the support pipe included can rest on the masonry plaster and masonry insulation. To do this, push the support pipe onto the fixing bolt flush with the plaster.

Fixing bolt	Insulation thickness	Rawplug	Drilling-Ø	Support pipe
L96	0	50	10	-
L140	0	100	14	-
L180	20 - 45	135	14	-
L215	45 - 95	185	14	-
L265	95 - 140	230	14	-
L350	140 - 215	100 (without flush)	14	ja
L450	215 - 315	100 (without flush)	14	ja

Values in mm

Selection of the correct rawplug is essential for the stability of the fixing bolt.

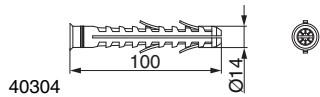
When using L350 and L450 fixing bolts, it is essential to use the included support pipe.



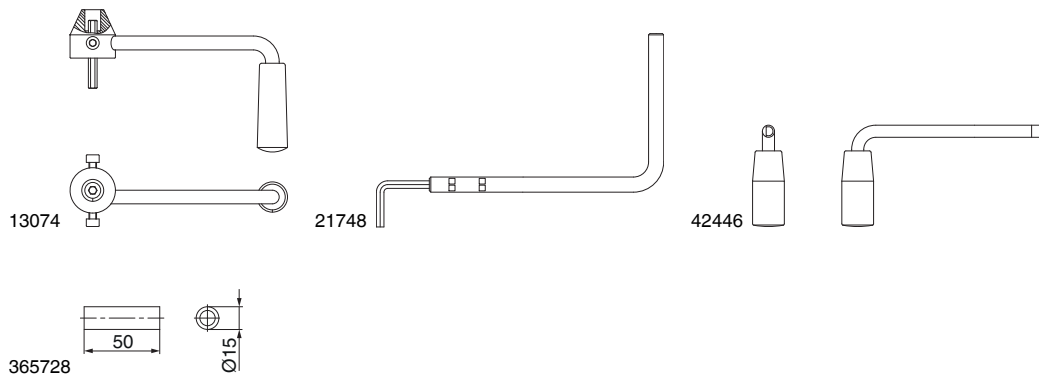
8.6.2 Fixing bolts and accessories



8.6.2.1 Fixing bolts			∅		N ^o
black	L96	0	7,7	20	43823
	L140	0	10	20	40226
	L180	20 - 45	10	20	40227
	L215	45 - 95	10	20	40232
	L265	95 - 140	10	20	40234
	L350	140 - 215	10	20	103318
	L450	215 - 315	10	20	103319

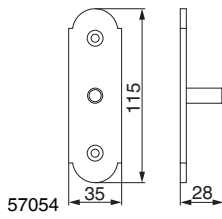


8.6.2.2 Rawplugs for fixing bolts		∅	L		N ^o
rawplug	for fixing bolt L96	10	50	20	40013
	for fixing bolt L140	14	100	20	40304
	for fixing bolt L180	14	135	20	40305
	for fixing bolt L215	14	185	20	40306
	for fixing bolt L265	14	230	20	365607
rawplug without collar	for fixing bolt L350 + L450	14	100	20	365729



8.6.2.3 Accessories for fixing bolts			N ^o
drill adapter for fixing bolts		1	13074
screw-driving tool with crank handle for fixing bolts with 5mm allen key		20	21748
crank handle for drill adapter for fixing bolt		1	42446
grub screw for fixing bolt with thermal barrier M10X50 black		20	364520
support pipe 50mm for fixing bolt grey		50	365728





57054

8.6.3 Support plates for shutter catches

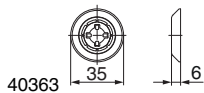


Nº

black-S

20

57054



40363

8.6.4 Cover disks for shutter catches



Nº

black

Ø 35x6mm

100

40363

grey

Ø 35x6mm

100

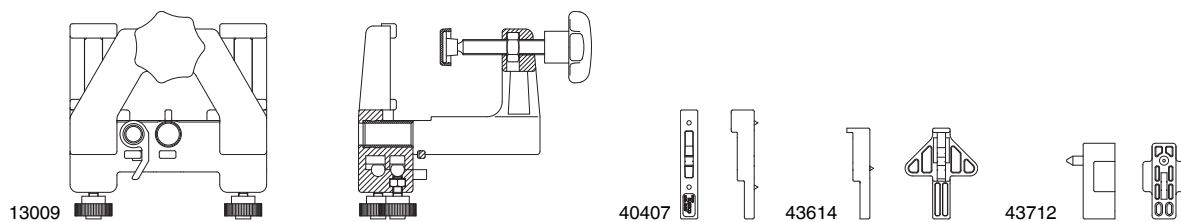
465212


white

Ø 35x6mm

20

40642



8.7 Jigs for shutter catches				Nº
drill jig	for shutter catches	Classic and Comfort for windows	1	13009
marking jig	for door shutter catches		50	40407
		short base-plate	50	43614
		for comfort shutter catch on balcony doors	50	43712
disposable jig	for comfort shutter catch on windows		50	40323



MACO
RUSTICO



Shutter catches



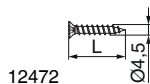
9 Accessories


9.1	Screws	150
9.1.1	Hardware screws 4.5mm stainless steel (guarantee)	150
9.1.2	Hardware screws 4.5mm galvanized	150
9.1.3	Self-tapping screws	150
9.1.4	One-way security screws	150
9.1.5	M5 fastening screws with female threaded sleeve	151
9.2	Buffer stops	152
9.2.1	Buffer stops for snap holder	152
9.2.2	Packers for buffer stop snap holder	152
9.2.3	Buffer stops soft	152
9.2.4	Packers for buffer stop soft	152
9.3	Louvre window hardware	153
9.3.1	Sets	153
9.3.2	Louvre end pieces	153
9.3.3	End piece for pitched frieze	154
9.3.4	Jig for louvre fittings	154
9.4	Accessories for projecting shutter-inserts	155
9.4.1	Hinges for projecting shutter-inserts	155
9.4.2	Locking mechanisms for projecting shutter-inserts	155
9.4.3	Opening restrictor for projecting shutter-inserts	155
9.4.4	Strikers for opening restrictors	155
9.5	Decorative corner brackets	156
9.5.1	Decorative corner-brackets for BLR and MV hardware range	156
9.5.2	Decorative corner-brackets for MMV hardware range	156
9.6	Adjusting key and marking pin	157



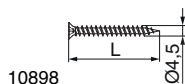
9 Accessories


9.1 Screws



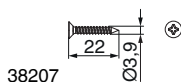
9.1.1 Hardware screws 4.5mm stainless steel (guarantee)		Ø	L		No
stainless steel black	Pozidrive	4,5	25	100	12472¹
			30	100	12473¹
			40	100	12474¹
			60	100	101549¹
stainless steel grey	Pozidrive	4,5	25	100	104346¹
			30	100	104348¹
			40	100	104349¹
			60	100	104350¹
stainless steel white	Pozidrive	4,5	25	100	12577¹
			30	100	12578¹
			40	100	12579¹


¹ These parts are necessary for the 10-year surface guarantee. For high demands and particularly for processing in aluminium.



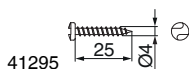
9.1.2 Hardware screws 4.5mm galvanized		Ø	L		No
black	Pozidrive	4,5	25	100	11185¹
			30	100	11434¹
			35	100	14022¹
			40	100	11186¹
			50	100	10898¹


¹ These parts are excluded from the 10-year surface guarantee.



9.1.3 Self-tapping screws		Ø	L		No
black	cross recess	3,9	22	100	38207¹
white	cross recess	3,9	22	100	38208¹

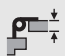

¹ These parts are excluded from the 10-year surface guarantee.



9.1.4 One-way security screws		Ø	L		No
black	slot	4	25	100	41295¹

¹ These parts are excluded from the 10-year surface guarantee.

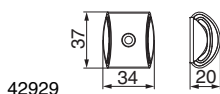


9.1.5 M5 fastening screws with female threaded sleeve		Ø	L		No
black-S	22 - 26	5	23	100	11431¹
	26 - 38	5	35	100	11432¹
	36 - 48	5	45	100	11433¹
	43 - 53	5	50	100	11207¹
	53 - 63	5	60	100	11208¹
grey-S	26 - 38	5	35	100	102550¹
	36 - 48	5	45	100	102551¹
white-S	22 - 26	5	23	100	12543¹
	26 - 38	5	35	100	12544¹
	36 - 48	5	45	100	12545¹

¹ The dimensions for the shutter thickness increase by 6mm for hinges without side regulation!



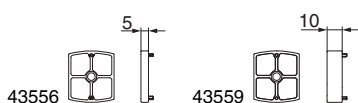
9.2 Buffer stops



42929

9.2.1 Buffer stops for snap holder			N^o
black	20mm high	20	42929¹
grey	20mm high	20	359891¹
white	20mm high	20	42932¹

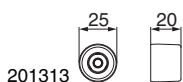
¹ The buffer stop must always be installed. When the buffer stop is used, make sure that the facade has sufficient compression strength (e.g. for thermal insulation).



43556

43559

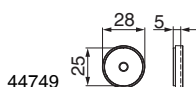
9.2.2 Packers for buffer stop snap holder			N^o
black	stackable 5mm high	100	43556
	10mm high, stackable	50	43559
grey	stackable 5mm high	100	360559
	10mm high, stackable	50	361317
white	stackable 5mm high	100	43558
	10mm high, stackable	50	43561



201313

9.2.3 Buffer stops soft			N^o
black	20mm high	20	201313¹
grey	20mm high	20	216813¹
white	20mm high	20	201314¹

¹ The buffer stop must always be installed. When the buffer stop is used, make sure that the facade has sufficient compression strength (e.g. for thermal insulation).

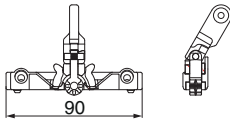


44749

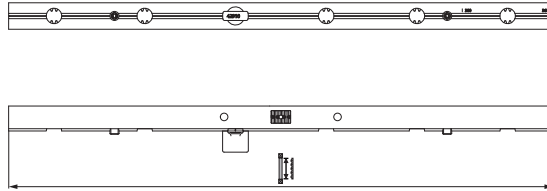
9.2.4 Packers for buffer stop soft			N^o
black	stackable 5mm high	100	44749
grey	stackable 5mm high	100	359893
white	stackable 5mm high	50	44750

9.3 Louvre window hardware

9.3.1 Sets



13321

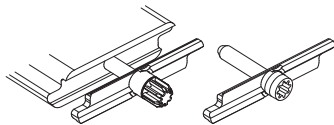


9.3.1.1 Hardware sets without louvre end pieces

					No
black-S	size 1	300 - 360	6	5	13321¹
	size 2	420 - 540	9	5	13322¹
	size 3	600 - 720	12	5	13323¹
	size 4	780 - 900	15	5	13324¹
	size 5	960 - 1.080	18	5	13325¹
	size 6	1.140 - 1.260	21	5	13326¹

¹ A set consists of: 1 locking rod, 1 pivoting rod, 1 lock.

9.3.2 Louvre end pieces



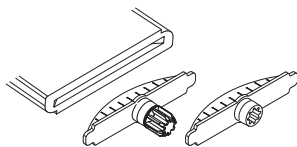
13235

9.3.2.1 Drilled-in end pieces

			No
black	right	50	13236^{1,2}
	left	50	13235^{1,2}

¹ Depending on the desired position of the operating lever (viewed from the inside), the corresponding end piece pack must be ordered. For example: Operating lever right - end pieces item no. 13236 respectively 13354.

² On louvre end pieces, a packaging unit consists of 1 left end piece and 1 right end piece.



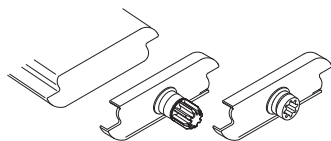
10070

9.3.2.2 Routed-in end piece

			No
black	left/right	100	10070¹

¹ On louvre end pieces, a packaging unit consists of 1 left end piece and 1 right end piece.





13354

9.3.2.3 "Gripping" end pieces			No
black	right	20	13354 ^{1,2}
	left	20	13355 ^{1,2}

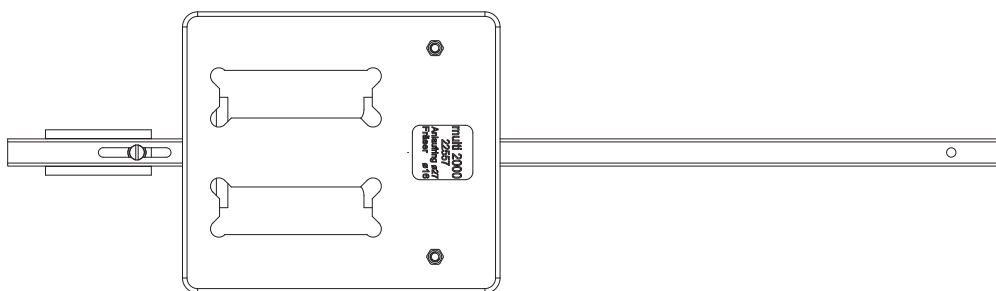
¹ Depending on the desired position of the operating lever (viewed from the inside), the corresponding end piece pack must be ordered. For example: Operating lever right - end pieces item no. 13236 respectively 13354.

² On louvre end pieces, a packaging unit consists of 1 left end piece and 1 right end piece.

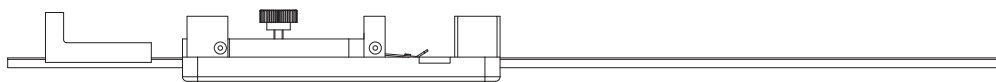


41255

9.3.3 End piece for pitched frieze			No
black		100	41255

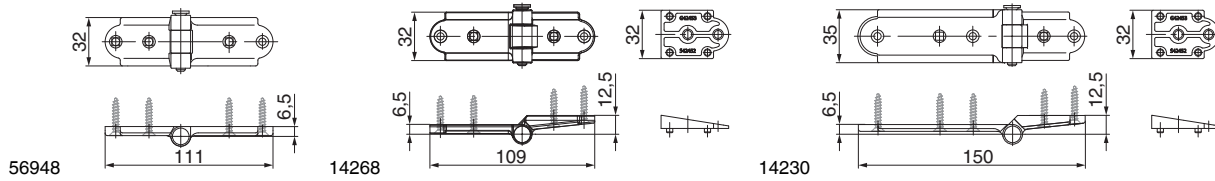


10057

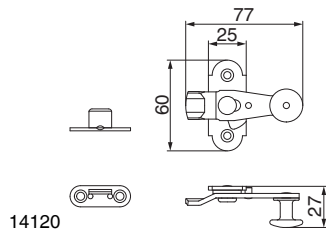


9.3.4 Jig for louvre fittings				No
jig	for Vario louvre fittings	for lock	1	10057

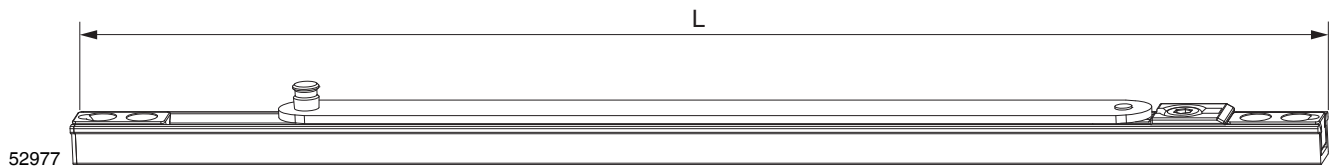
9.4 Accessories for projecting shutter-inserts



9.4.1 Hinges for projecting shutter-inserts				No
black-S	hinge for projecting shutter-insert	flush	20	56948
		with 13mm rebate leg packer	20	11583
		with 15mm rebate leg packer	20	14268
white-S	hinge for projecting shutter-insert	long hinge for projecting shutter-insert with 15mm rebate leg packer	10	14230
		hinge for projecting shutter-insert with 13mm rebate leg packer	20	101986

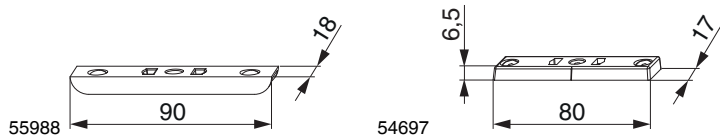


9.4.2 Locking mechanisms for projecting shutter-inserts				No
black-S			20	14120
grey-S			20	102476
white-S			20	101988



9.4.3 Opening restrictor for projecting shutter-inserts			L		No
silver	opening restrictor with brake	arm length 250mm	333	20	52977¹

¹ These parts are excluded from the 10-year surface guarantee.

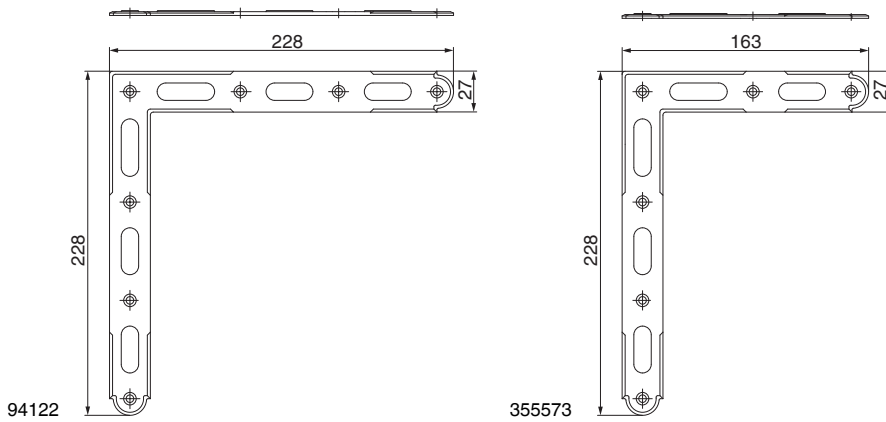


9.4.4 Strikers for opening restrictors				No
silver	frame component for opening restrictor for 4mm air gap 9mm offset	angled screw-fixing	50	55988¹
		angled screw-fixing	50	54697¹

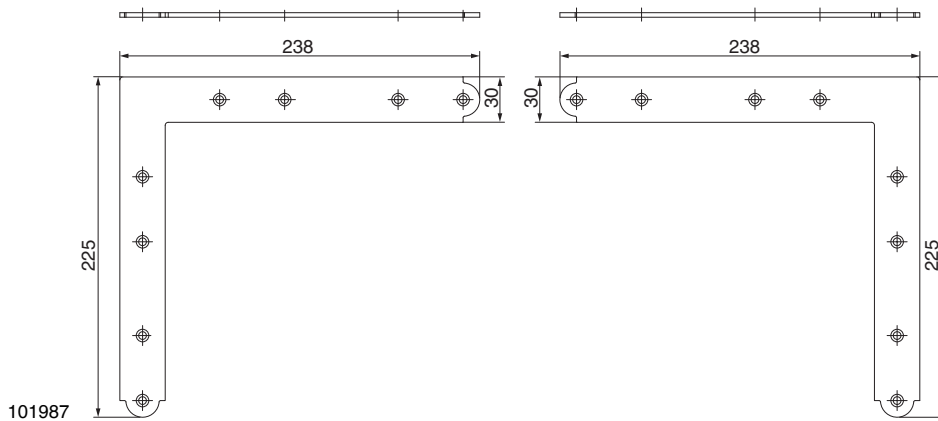
¹ These parts are excluded from the 10-year surface guarantee.



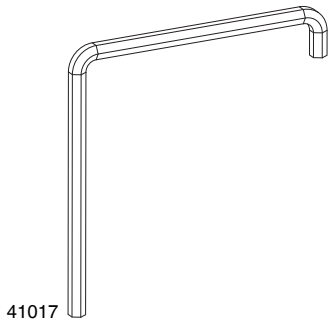
9.5 Decorative corner brackets



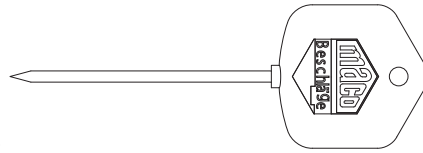
9.5.1 Decorative corner-brackets for BLR and MV hardware range				Nº
black-S	decorative corner-bracket		20	94122
	decorative corner-bracket SL 228x163	left top	20	355573
		right top	20	355575
white-S	decorative corner-bracket		20	32410



9.5.2 Decorative corner-brackets for MMV hardware range				Nº
black-S		in pairs	10	101987



41017



42465

9.6 Adjusting key and marking pin



No

adjusting spanner/key allen key, bent twice, 75 mm long SW 4
scriber

50
100




41017¹
42465¹

¹ Can also be supplied in quantities less than one packaging unit.











10 Directory

Nº		Page	Nº		Page	Nº		Page
1			101449	20	72,91	102161	20	82
100000	20	72,91	101450	20	72,91	102162	20	82
100001	20	72,91	101451	20	74,94	102163	50	124
100002	20	72,91	101452	20	74,94	102165	20	114
100003	20	72,91	101453	10	73,93	102166	10	64,114
100004	20	92	101454	10	73,93	102173	20	83
100005	20	72,91	101532	50	124	102174	10	46
100006	20	72,91	101549	100	150	102175	10	46
100007	20	72,91	101554	10	114	102176	10	46
100008	20	72,91	101571	20	105	102177	10	46
100009	20	92	101572	1	105	102178	10	79
100010	20	74,94	101587	20	98	102179	10	48,76
100011	20	74,94	101588	20	98	102180	10	78
100012	20	74,94	101589	20	98	102181	10	49
100013	20	74,94	101590	20	98	102182	10	49
100014	20	95	101591	20	98	102183	10	49
100015	20	74,94	101592	20	98	102184	10	49
100016	20	74,94	101596	20	98	102185	20	58
100017	20	74,94	101597	20	98	102186	20	58
100018	20	74,94	101598	20	98	102187	20	58
100019	20	95	101599	20	98	102188	20	58
100020	10	73,93	101600	20	98	102189	20	58
100021	10	73,93	101601	20	98	102190	20	58
100022	10	73,93	101695	20	113	102191	20	58
100023	10	73,93	101796	10	49	102192	20	58
100024	10	94	101797	10	49	10223	20	112
100025	10	73,93	101799	20	112	102248	20	100
100026	10	73,93	101856	20	110	102249	20	100
100027	10	73,93	101883	20	110	102251	1	121
100028	10	73,93	101884	20	110	102252	1	121
100029	10	94	101885	20	110	102253	20	72,91
100040	1	121	101886	20	155	102254	20	92
10057	1	154	101987	10	156	102255	20	72,91
10070	100	153	101988	20	155	102256	20	92
101016	20	97	102037	20	72,91	102257	10	73,93
101028	20	97	102038	20	72,91	102258	10	94
101042	20	82	102039	10	73,93	102259	10	73,93
10107	20	109	102040	10	73,93	102260	10	94
101077	20	112	102042	20	74,95	102261	20	110
101133	20	110	102053	20	58	102262	20	110
101134	20	110	102054	20	58	102263	20	98
101135	20	110	102055	20	58	102264	20	98
101136	20	110	102056	20	58	102267	10	111
10123	50	65	102057	20	58	102268	10	111
101245	20	135	102058	20	58	102280	20	105
101247	20	135	102059	20	58	102315	20	143
101257	20	110	102060	20	58	102316	20	143
101258	20	110	102061	20	58	102317	20	143
101259	20	110	102062	20	58	102332	20	108
101260	20	110	102063	20	58	102342	20	72,91
101261	20	112	102064	20	58	102343	10	158
101263	1	84	102065	20	58	10235	20	113
101265	1	102	102066	20	58	102352	20	105
101279	20	142	102067	20	58	102365	20	132
101304	20	113	102068	20	58	102374	20	98
101305	20	55	102069	20	59	102375	20	98
101331	10	48,76	102070	20	59	102376	1	142
101332	10	48,76	102071	20	59	102377	20	124
101359	20	72,91	102072	20	59	102379	20	107
101360	20	72,91	102073	20	59	10238	10	79
101361	20	72,91	102074	20	59	102427	20	131
101362	20	72,91	102075	20	59	102428	20	131
101363	20	92	102076	20	59	102445	10	73,93
101364	20	72,91	102133	20	78	102446	20	72,91
101365	20	72,91	102134	20	78	102448	20	97
101366	20	72,91	102135	20	78	102449	20	97
101367	20	72,91	102136	20	78	102469	1	122
101368	20	92	102137	20	47,75	102470	20	131
101369	20	74,95	102138	1	113	102471	20	131
101370	20	74,95	102139	20	105	102474	20	126
101371	20	74,95	102140	20	131	102476	20	155
101373	20	95	102141	20	131	102477	1	121
101374	20	74,95	102142	20	140	102480	20	72,91
101375	20	74,94	102143	20	140	102481	1	121
101376	20	74,95	102144	20	140	102482	20	130
101377	20	74,95	102145	20	140	102483	1	121
101378	20	95	102146	20	140	102490	20	109
101379	10	73,93	102147	1	112,142	102491	20	113
101380	10	73,93	102148	20	135	102495	20	155
101381	10	73,93	102149	20	135	102497	20	142
101382	10	73,93	102150	20	135	102509	20	72,91
101383	10	94	102151	20	135	102510	20	72,91
101384	10	73,93	102152	1	121	102511	20	72,91
101385	10	73,93	102153	20	79	102512	20	72,91
101386	10	73,93	102154	20	79	102513	20	74,94
101387	10	73,93	102156	20	79	102514	20	74,95
101388	10	94	102157	20	79	102515	20	74,95
101438	20	113	102158	20	95,115,105,132	102516	20	95
101448	10	63	102159	20	108	102517	20	74,94
			102160	20	108	102518	20	74,95



Nº		Page	Nº		Page	Nº		Page
102519	20	95	104350	100	150	13078	20	141
102520	10	73,93	104617	20	119	13095	20	135
102521	10	73,93	104622	20	108	13096	20	135
102522	10	73,93	104624	20	119	13101	20	112
102523	10	73,93	104654	20	119	13110	1	112,142
102524	10	73,93	105299	10	62	13111	1	142
102525	20	110	105300	10	62	13168	10	49
102526	20	110	105301	10	62	13169	10	49
102527	20	98	105303	10	62	13170	10	49
102528	20	98	105304	10	62	13187	20	135
102545	20	97	105305	10	62	13235	50	153
102546	20	97	105306	10	62	13236	50	153
102547	100	153	106366	20	140	13267	1	121
102548	100	153	106367	20	140	13273	1	122
102549	100	153	106368	20	140	13308	20	135
102550	100	151	106369	20	140	13321	5	153
102551	100	151	106373	1	121	13322	5	153
102559	100	153	106374	1	121	13323	5	153
102606	20	74,95	106375	1	122	13324	5	153
102607	20	74,95	10703	20	47,75	13325	5	153
102608	20	74,95	10706	10	48,76	13326	5	153
102625	10	111	10717	10	48,76	13327	20	52
102626	10	111	10791	20	143	13328	20	52
102636	20	72,91	10826	20	50,77	13329	20	52
102637	20	74,95	10857	20	140	13330	20	52
102638	20	74,95	10859	20	140	13354	20	154
102639	10	73,93	10860	20	140	13355	20	154
102640	10	73,93	10862	20	140	14000	1	114
102645	20	99	10863	20	140	14003	1	130
102646	20	99	10865	20	140	14005	1	126
102653	10	63	10867	20	140	14008	20	126
102731	20	83	10868	20	140	14011	20	126
102757	1	126	10870	20	140	14017	20	83
102760	10	63	10871	20	140	14019	20	83
102787	20	142	10873	20	140	14021	20	124
102788	20	142	10874	20	140	14022	100	150
102789	20	142	10876	20	140	14024	20	124
102790	20	142	10898	100	150	14025	1	130
102855	10	63	11185	100	150	14026	1	130
102856	10	63	11186	100	150	14027	20	135
102857	10	64,113	11207	100	151	14030	20	135
102860	10	63	11208	100	151	14034	20	50,77
102861	10	63	11245	20	97	14036	20	78
102885	20	99	11248	20	131	14040	20	78
102888	1	66	11249	20	131	14044	10	78
102889	1	66	11280	10	64	14048	10	78
103002	20	100	11429	50	127	14052	20	79
103139	20	147	11431	100	151	14056	20	79
103140	20	147	11432	100	151	14060	20	109
103141	20	147	11433	100	151	14064	20	109
103142	20	147	11434	100	150	14068	20	108
10327	20	126	11456	50	127	14072	20	108
103288	20	111	11459	20	127	14076	20	82
103289	20	111	11462	20	127	14080	20	79
10330	20	126	11465	20	127	14084	20	79
103318	20	145	11466	20	127	14088	20	113
103319	20	145	11467	20	127	14092	20	108
10333	20	126	11468	20	127	14096	20	78
103354	20	111	11583	20	155	14100	10	78
103355	20	111	11777	20	78	14104	20	79
103356	20	111	11778	10	79	14120	20	155
103357	20	111	11781	20	97	14128	20	131
103358	20	111	11883	100	152	14132	20	131
103359	20	111	11884	100	152	14136	20	97
103360	20	110	12032	10	64	14140	20	97
103361	20	110	12472	100	150	14144	20	97
103362	20	110	12473	100	150	14148	20	97
103363	20	110	12474	100	150	14150	1	121
103364	20	111	12530	20	78	14151	20	63
103365	20	111	12531	20	78	14154	1	121
103368	20	110	12537	20	114	14166	10	48,76
103369	20	110	12543	100	151	14170	20	50,77
103370	20	110	12544	100	151	14174	10	48,76
103371	20	110	12545	100	151	14176	1	130
103421	20	47,75	12546	10	64	14206	10	64,114
103863	10	111	12563	20	124	14208	20	122
103864	10	111	12577	100	150	14210	20	130
104033	1	117	12578	100	150	14212	20	135
104034	1	119	12579	100	150	14214	50	124
104035	1	117	12586	20	78	14216	20	135
104036	1	117	12949	20	112	14224	10	49
104037	1	117	12960	10	64,114	14228	10	49
104053	1	117	12961	10	64,114	14230	10	155
104054	1	117	13003	20	143	14232	10	49
104055	1	117	13004	20	143	14248	1	112,142
104056	1	117	13009	1	147	14252	1	142
104057	1	117	13058	20	140	14256	20	56
104088	10	62	13059	20	140	14260	20	56
104089	10	62	13060	20	140	14264	20	56
104105	20	111	13065	20	140	14268	20	155
104114	20	111	13068	20	141	14312	20	108
104213	1	119	13071	20	142	14316	10	64,114
104346	100	150	13072	20	142	14336	20	78
104348	100	150	13073	20	142	14340	10	78
104349	100	150	13074	1	145	14344	20	143



Nº		Page	Nº		Page	Nº		Page
14348	20	143	209936	20	53	225586	1	133
14356	1	113	209937	20	53	22616	1	102
14364	1	121	209938	20	53	22691	10	62
14384	20	47,75	209939	20	53	23635	10	63
14462	20	142	209942	20	53	23636	10	63
14466	20	143	209943	20	53	23688	10	63
14470	1	121	209944	20	53	23859	10	63
14501	10	46	209945	20	53	24081	1	84
14503	10	46	209946	20	53	24596	1	97
14504	10	46	210066	10	62	24988	20	47
14506	10	46	210067	10	62	24991	20	47
14507	10	46	210353	20	56	24994	20	47
14509	10	46	210354	20	56	24997	20	50
14510	10	46	210355	20	56	27001	20	50
14512	10	46	210356	20	56	27004	20	50
14801	10	64,114	210357	20	56	27054	1	102
2			210358	20	45	27438	10	63
201313	20	152	210359	20	45	27496	20	82
201314	20	152	210360	20	45	27744	20	82
201813	20	81	210361	20	45	27746	20	108
201814	20	81	210362	20	47	27747	20	108
201815	20	81	210363	20	47	27958	1	66
201816	20	81	210364	20	47	27960	1	66
201851	1	66	210365	20	47	28379	1	66
202223	20	81	210368	20	50	28724	1	66
202224	20	81	210369	20	50	28828	100	127
202225	20	81	210370	20	50	28829	100	127
202226	20	81	210371	20	50	28830	100	127
202366	50	128	210372	20	46	29267	20	82
202367	50	130	210373	20	46			
20293	20	108	210374	20	46			
205649	1	66	210375	20	46	3		
206077	20	130	210376	20	82	30053	10	123
208750	20	47	210377	20	82	32410	20	156
208751	20	50	210379	20	55	354163	50	125
208752	20	50	210388	20	55	355518	100	83,101
208753	20	51	210389	20	55	355572	20	156
208754	20	47	210390	20	55	355573	20	156
208755	20	51	210391	20	55	355574	20	156
208756	20	50	210392	20	55	355575	20	156
209417	20	54	210393	20	55	355950	100	133
209418	20	54	210394	20	55	355951	100	133
209419	20	54	210395	20	54	355952	100	134
209421	20	54	210396	20	54	356841	50	113
209422	20	53	210397	20	54	356842	50	113
209423	20	53	210398	20	54	356988	20	123
209424	20	53	210399	20	54	357305	20	106
209425	20	53	210400	20	54	357950	100	134
209430	20	53	210401	20	53	358473	20	131
209431	20	53	210402	20	53	359859	20	131
209432	20	53	210403	20	53	359860	100	135
209433	20	53	210404	20	53	359867	50	130
209434	20	54	210405	20	53	359869	50	130
209435	20	54	210406	20	53	359870	50	128
209436	20	54	210409	20	53	359871	200	114,143
209437	20	54	210410	20	53	359885	20	106
209438	20	54	210411	20	53	359888	100	123
209439	20	54	210412	20	53	359889	50	103
209440	20	54	211230	20	81	359891	20	152
209441	20	54	211506	50	130	359892	100	134
209442	20	54	211578	20	130	359893	100	152
209443	20	54	211809	100	129	359894	100	133
209444	20	54	211811	20	81	359895	100	83
209445	20	54	211960	20	130	359896	100	83
209446	20	54	212478	20	137	359897	100	83
209447	20	54	212479	50	124	359898	100	134
209448	20	54	212500	20	108	359899	100	133
209449	20	54	212506	20	50	359900	100	131
209450	20	54	212589	10	63	359901	100	123
209451	20	54	212598	20	52	360166	100	124
209452	20	54	212599	20	52	360380	100	52,80
209453	20	54	212649	20	82	360379	50	83
209462	20	55	212651	20	155	360380	100	80,96
209463	20	54	212653	20	50	360381	100	80,96
209464	20	54	212654	20	50	360382	100	80,96
209465	20	55	212655	20	50	360398	50	113
209466	20	55	212656	20	146	360441	20	126
209467	20	54	212657	20	82	360559	100	152
209468	20	54	212742	20	81	360619	50	142
209469	20	55	212743	20	81	360621	50	142
209470	20	54	212745	20	54	360812	50	113
209471	20	53	213170	20	54	360816	100	81
209474	20	53	213171	20	54	360958	20	123
209475	20	56	213172	20	54	361175	50	130
209476	20	56	215468	20	54	361183	50	129
209477	20	56	215469	20	54	361190	50	143
209478	20	56	216813	20	152	361191	100	135
209479	20	56	21748	20	145	361311	20	141
209485	20	56	21883	20	109	361313	50	141
209486	20	56	219841	1	133	361314	50	143
209487	20	56	22060	10	62	361315	100	82
209488	20	56	22063	10	62	361316	100	55,83,101
209489	20	56	22066	10	62	361317	50	152
209935	20	53	224657	20	54	361318	50	82
			224658	20	54	361319	20	156
			225585	1	133	361320	50	130




Nº  **Page**

363286	50	83,101
363323	100	83,101
363325	100	131
364189	20	65
364274	100	100
364275	50	129
364330	100	123
364332	100	131
364520	20	145
364589	20	65
365243	200	125
365566	20	123
365607	20	145
365728	50	145
365729	20	145
365862	200	114,143
365880	50	100
367264	50	123
367511	50	129
367600	50	100
368162	50	117
368212	50	117
368213	50	117
36860	10	123
36862	50	124
36864	50	124
36865	50	124
36866	50	124
369337	50	119
369863	20	65
370028	20	65
370103	50	131
370594	10	66
371561	100	52,80
371562	100	52,80
374046	10	65
38207	100	150
38208	100	150
39020	50	124
39125	100	131
39126	100	131

4


40001	100	127,128,129
40002	100	134
40013	20	145
40043	100	125
40044	100	124
40058	100	134
40226	20	145
40227	20	145
40232	20	145
40234	20	145
40304	20	145
40305	20	145
40306	20	145
40318	50	143
40319	50	143
40323	50	147
40363	100	141,146
40365	50	141
40370	50	141
40377	50	143
40378	50	143
40407	50	147
40418	100	134
40427	50	142
40430	50	142
40436	100	82
40571	100	134
40642	20	141,146
40643	50	141
40644	50	141
40704	100	52,80
40892	100	55,83,101
41017	50	157
41138	50	105
41149	100	52,80
41193	50	83
41198	50	83
41227	50	141
41255	100	154
41295	100	150
41446	50	143
41514	100	133
41521	100	133
41532	100	134
41578	100	52,80
41632	20	134
41810	100	82
41811	100	82
41882	100	82
41902	10	65
41903	10	65
41925	20	97

Nº  **Page**

42120	100	142
42122	100	142
42279	100	56
42282	200	125
42306	20	97
42308	20	97
42446	1	145
42454	100	99
42465	100	157
42487	100	130
42701	200	125
42711	100	124
42808	100	131
42814	100	133
42837	100	82
42844	20	99
42845	100	52,80
42911	100	126
42922	500	124
42929	20	152
42932	20	152
43539	100	124
43556	100	152
43558	100	152
43559	50	152
43561	50	152
43614	50	147
43627	100	126
43648	100	123
43649	100	123
43712	50	147
43823	20	145
43850	100	127,128
43851	100	126
43957	100	82
44063	100	123
44072	100	123
44108	100	82
441311	100	124
441422	50	112
441782	100	81
441783	100	81
44180	100	134
44182	100	133
44184	100	133
44277	100	126
44333	100	127,128
44352	20	64,114
44353	20	64,114
44380	100	80,96
44381	100	80,96
44382	100	80,96
44383	100	80,96
44384	100	80,96
44422	100	124
44433	100	127,128
44443	100	127,128
44444	100	127,128
44445	100	128
44455	100	128
44654	100	124
44655	100	124
44749	100	152
44750	50	152
454768	50	112
454975	100	80,96
454976	100	80,96
454977	100	80,96
454978	100	80,96
454979	100	80,96
465210	100	52,80
465211	100	52,80
465212	100	141,146
465213	100	127,128
465217	10	123
465218	10	123
465220	10	123
465285	100	99
465422	50	80,96
465423	50	80,96

5

52686	20	47,75
52977	20	155
54657	20	50,77
54697	50	155
54746	20	82
55904	100	127
55905	1	84
55988	50	155
56819	100	127
56823	100	127
56827	100	127
56839	20	82
56891	20	82

Nº  **Page**

56921	10	62
56924	10	62
56928	10	62
56932	10	63
56936	10	63
56941	10	63
56944	10	62
56948	20	155
56966	20	47
56970	20	47
56974	20	47
56978	20	50
56982	20	50
56986	20	50
56990	20	50
56994	20	50
56998	20	50
57050	20	51
57051	20	51
57052	20	51
57054	20	146
57056	20	47,75
57067	50	130
57073	200	129
57076	50	130
57082	20	130
57083	20	130
57094	100	129
57098	20	82
57099	20	50,77
57100	20	50,77
57110	20	135
57215	50	130
57272	20	46
57273	20	46
57274	20	46
57275	20	46
58223	20	45
58225	20	45
58226	20	45
58228	20	45
58229	20	45
58231	20	45
58232	20	45
58234	20	45
58432	20	132
59476	20	51
59477	20	51
59478	20	51

9

94122	20	156
94126	10	123
94130	10	123
94134	10	123
94137	50	124
94141	50	125
94142	50	130
94143	50	125
94148	20	131
94150	50	130
94157	50	128
94159	50	129
94163	200	114,143
94165	50	130
94166	20	126
94184	50	124
94246	50	129
94433	50	124
94434	50	124
94489	50	128
94490	50	128
97500	50	124
97501	20	124
97502	20	124
97509	10	123
97531	50	128

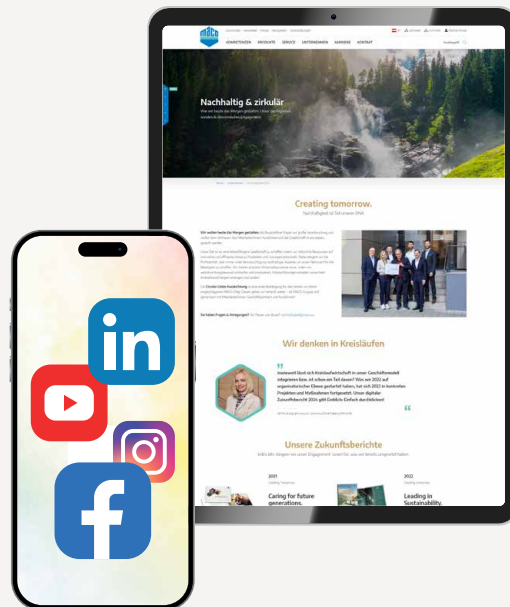
MACO
RUSTICO



Directory

Would you like everything from a single source?

We provide you with hardware solutions for your large surfaces, windows and doors – for timber, PVC and aluminium. Experience our versatile range of systems, with comprehensive service included. Discover more on our website www.maco.eu or contact your MACO customer advisor. Follow us on social media for the latest news.



MACO near you:
www.maco.eu/contact



TECHNOLOGY IN MOTION



This document is constantly being revised.
You can find the current version at <https://www.maco.eu/assets/49445en>
or by scanning the QR code.

Order No. 49445EN - Creation date: 03/2025
All rights and amendments reserved