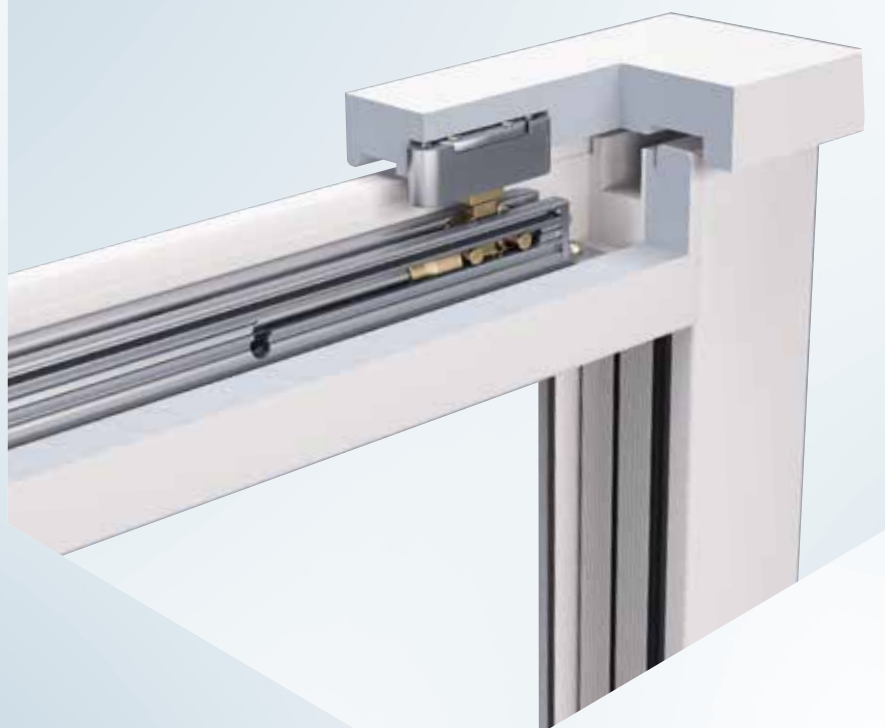


ORDERING TOOL / MOUNTING INSTRUCTIONS

HS comfort close concealed arrangement

Inoutic sash HST476



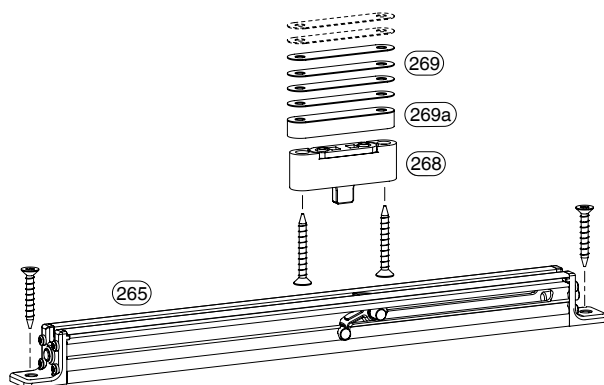
Use
exclusively for specialists!



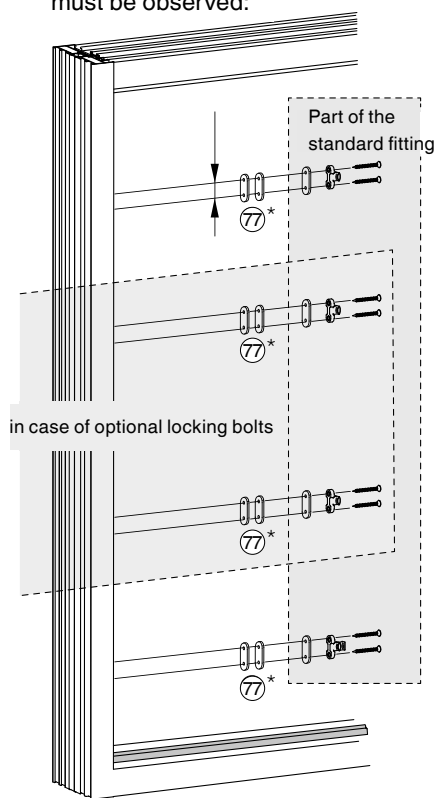
Table of Contents

Description	Page
Fittings overview	3
Preparation frame	4
Preparation sash	5
Mounting sash and frame	6
Reference dimension	6
Adjustment option	7
Technical data	8

Fittings overview



must be observed:



*) in addition due to Comfort Close

Pos.	Description
77	Packer for HS locking bolt
265	Comfort Close
268	Frame piece
269 269a	Packer frame piece

Screws are not included in scope of delivery.

Respective specifications represent a recommendation, only.

Note: All measurements in this document are indicated in millimetres.

Items required for scheme

A	C	Article description	Item Code	
1	1 ^{y)}	Comfort Close (265) ^{z)}	size 1 ≤ 200 kg sash weight ≤ 30 N Sliding force	300359
			size 2 > 200 ... 300 kg sash weight ≤ 50 N Sliding force	300360
1	1 ^{y)}	Frame piece concealed arrangement B = 13 mm 19 mm Comfort Close silver (268)	300380	
x)	x)	Cover frame piece concealed arrangement (no ill.)	300432	
x)	x)	Packer concealed arrangement NB = 12 mm 0.5 mm for frame piece Comfort Close (269)	302323	
1	1 ^{y)}	Accessories 26 Comfort Close (269) (269a)	300580	
4	4	Packer for HS locking bolt silver (77)	364727	

x) optional

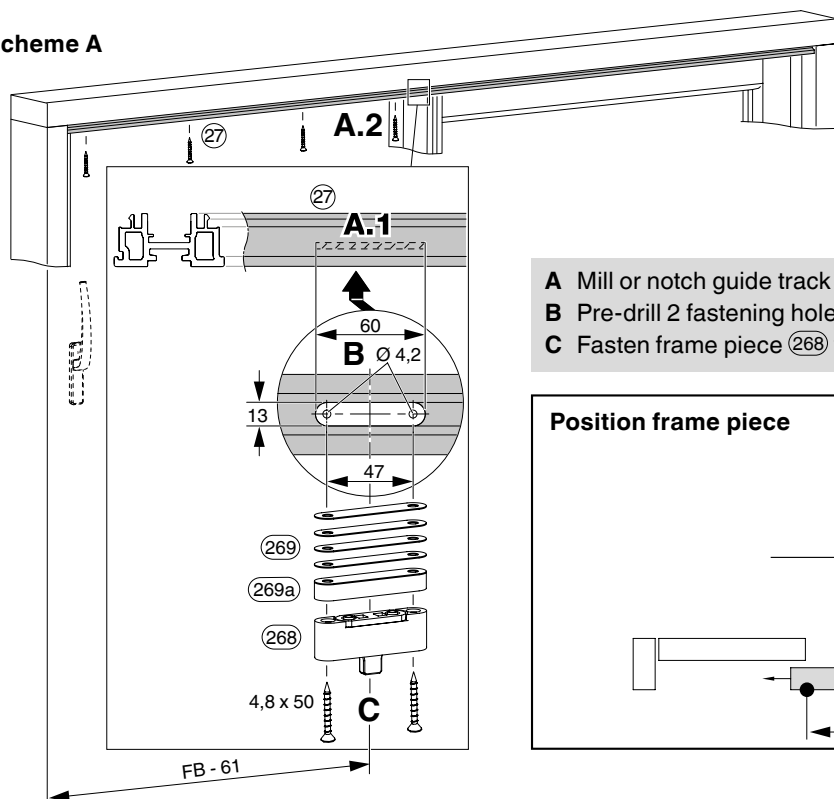
y) per sliding sash

z) Colour of damper: size 1 - black, size 2 - silver-grey

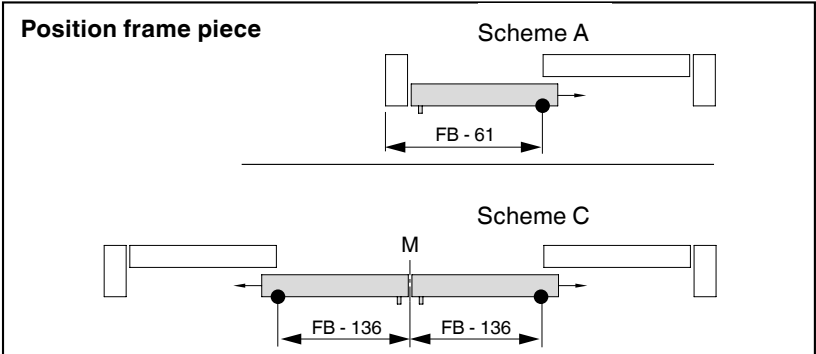
Preparation frame

Example: scheme A and C

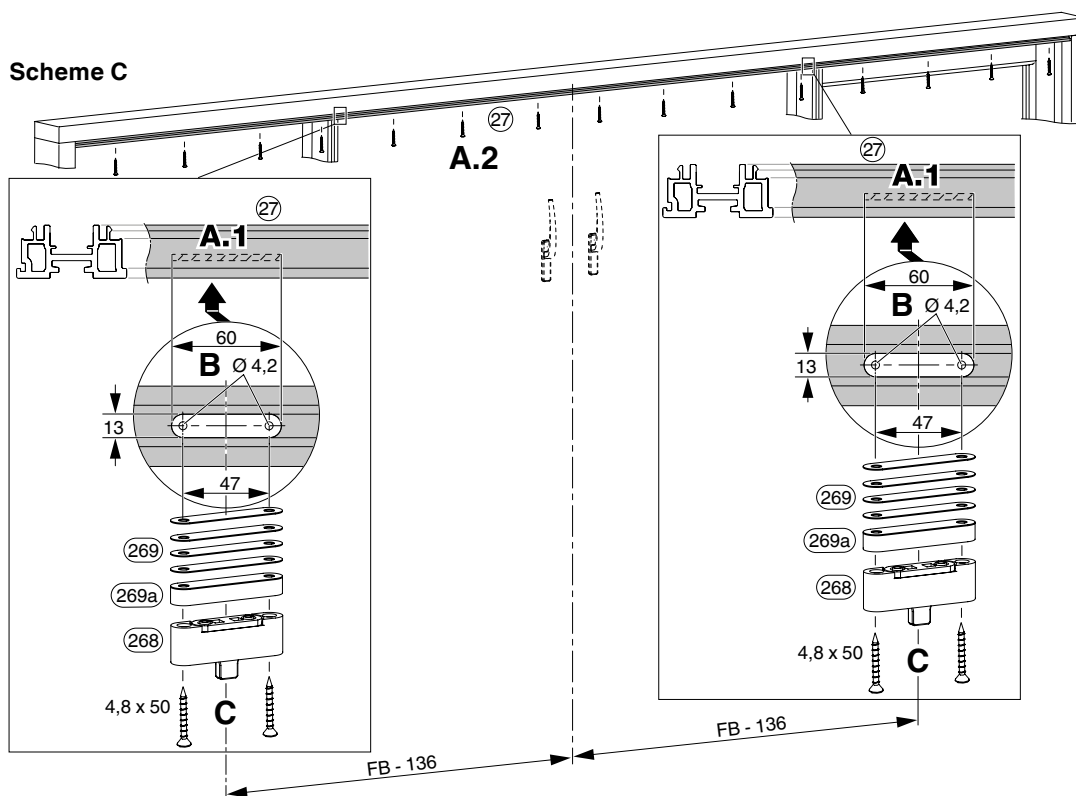
Scheme A



- A** Mill or notch guide track for frame piece and fasten it.
- B** Pre-drill 2 fastening holes $\varnothing 4.2$.
- C** Fasten frame piece (268) with packers 4x (269) / 1x (269a).



Scheme C



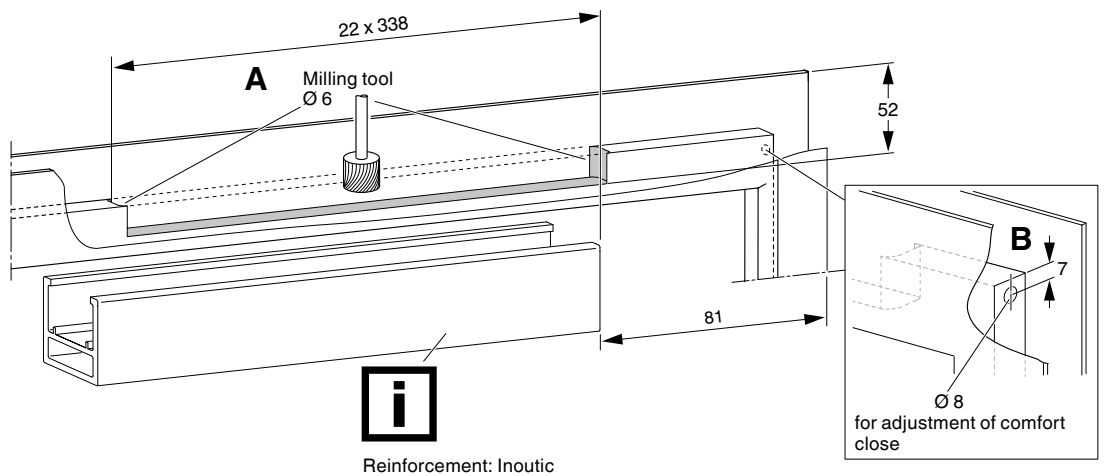
Preparation sash

A Carry out sash milling on non-handle side.

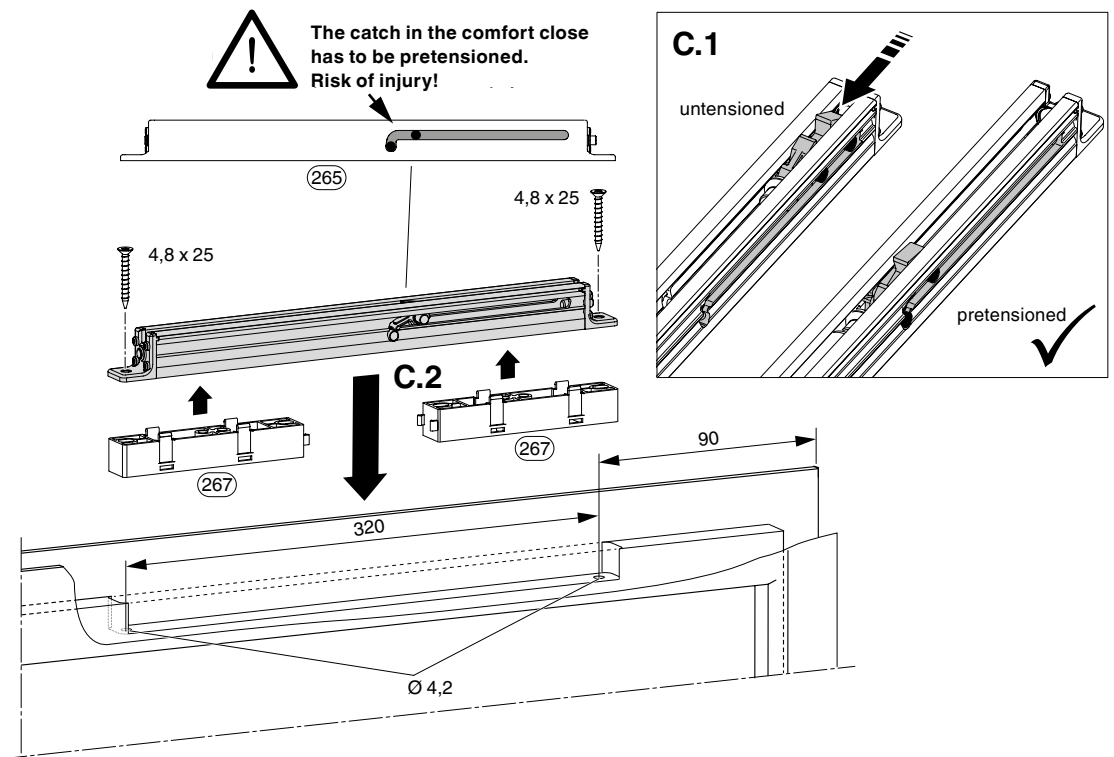
i The reinforcement „Inotic“ has to be within the area of comfort close (slide in 81 mm to outer edge of sash).

B Drill hole $\varnothing 8$ mm for adjustment of comfort close.

F Comfort close (265) has to be pretensioned. Mount the comfort close with 2 screws 4.8 x 25.



Mounting position



Mounting sash and frame

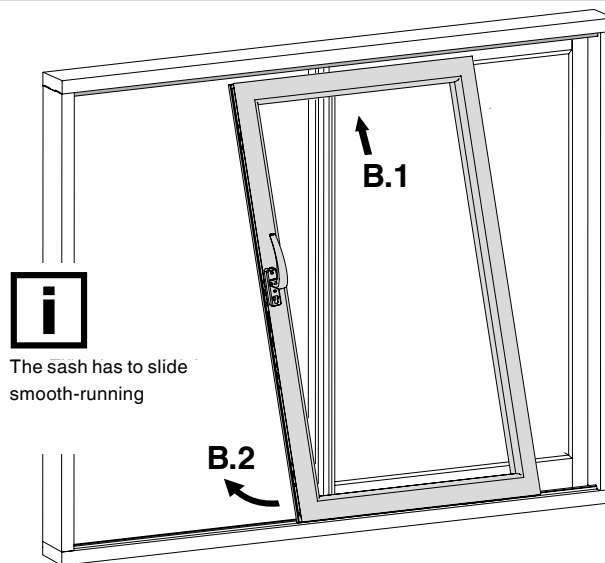
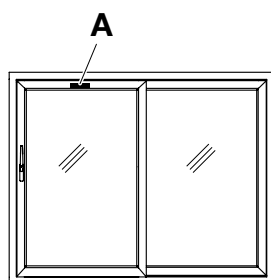
Example: scheme A; scheme C accordingly

- A** Block glazing centred at top side of the sliding sash. Other block settings according to guide lines.
- B** Set sash into frame as shown.



Attention:

Risk of injury due to fallen sash!
To avoid the risk of injury, perform the following steps with two workers.

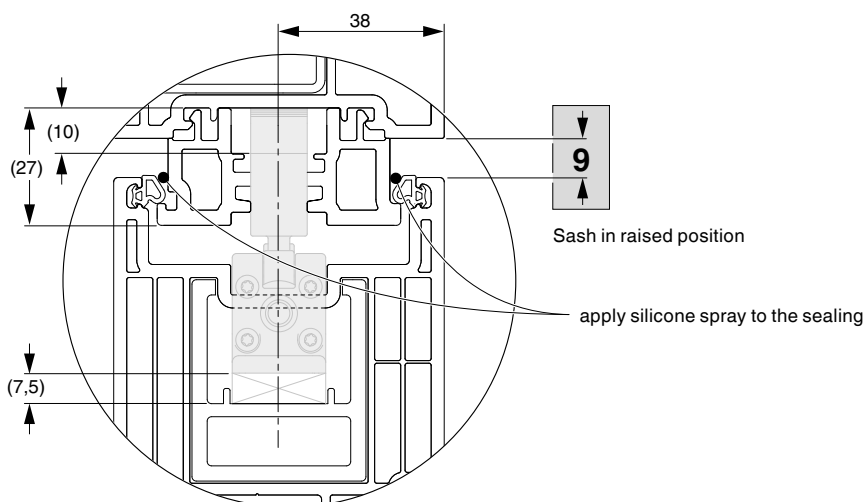


The sash has to slide smooth-running

refer to mounting instructions 756108, too

Reference dimension

- To check the height of the frame piece, swivel in the sash, lift it and slide into closing position.
- Measure reference dimension within the range of the comfort close (desired value = 9 mm).
- Lift the sash out, if necessary, and compensate deviation to the reference dimension with packers frame piece (269).
- Apply silicone spray to the sealing.



Adjustment option

In case of inaccuracy concerning position of the frame piece, the end position of the sash related to the frame can be adjusted.

L (counter-clockwise rotation):

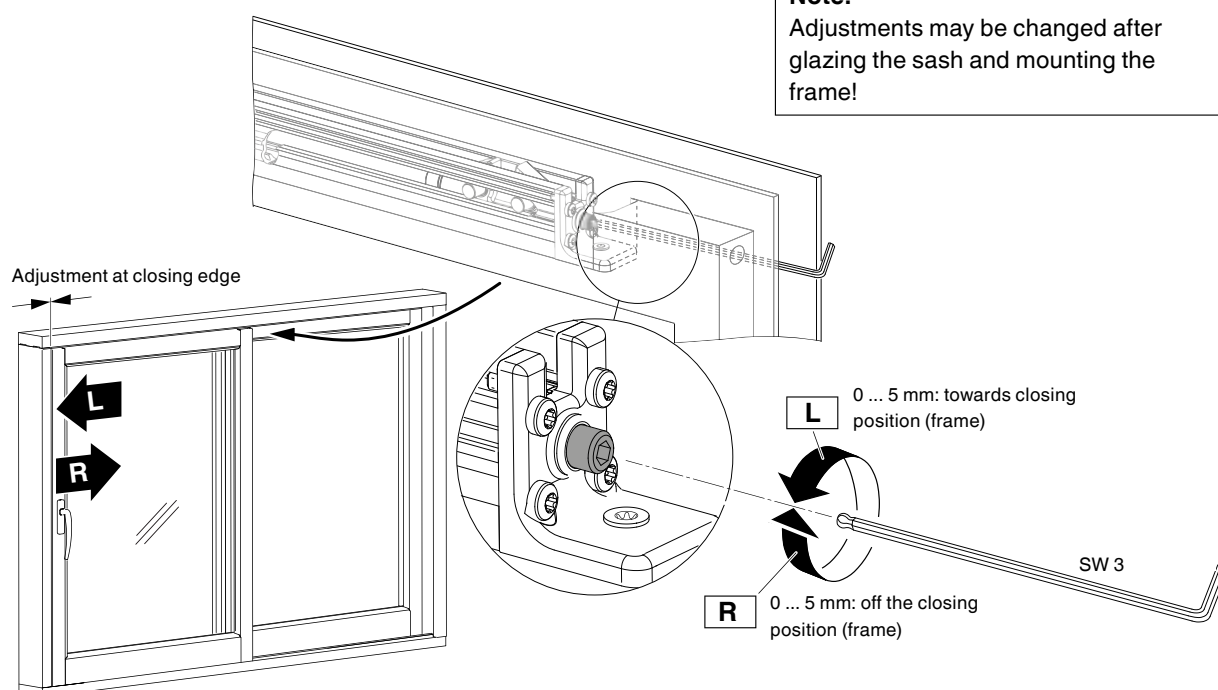
closing of sash will be shifted in direction of handle side (0 ... 5 mm).

R (clockwise rotation):

closing of sash will be shifted in direction of non-handle side (0 ... 5 mm).

Note:

Adjustments may be changed after glazing the sash and mounting the frame!





Technical data

Range of application scheme A:

Sash width (FB)	730 – 3320 mm
FBmin. for 2x comfort close	1000 mm
Sash height (FH)	735 – 2840 mm
Outer frame width (RAB)	acc. to profile manufacturer's specifications
Sash weight or sliding force without Comfort Close	size 2: max. 300 kg or max. 50 N

Depending on version of the profile sealing to be used, it can happen, that the sash cannot close completely.

Relevant dimensions Comfort Close (H x T)	27.5 mm x 22 mm
Soft move-in	starting approx. 100 mm off the closing edge
Increase of sliding force with Comfort Close	size 2: by 45 N (silver-grey)

Range of application is depending on used profile systems. Specifications of profile manufacturers to be observed.



Notes

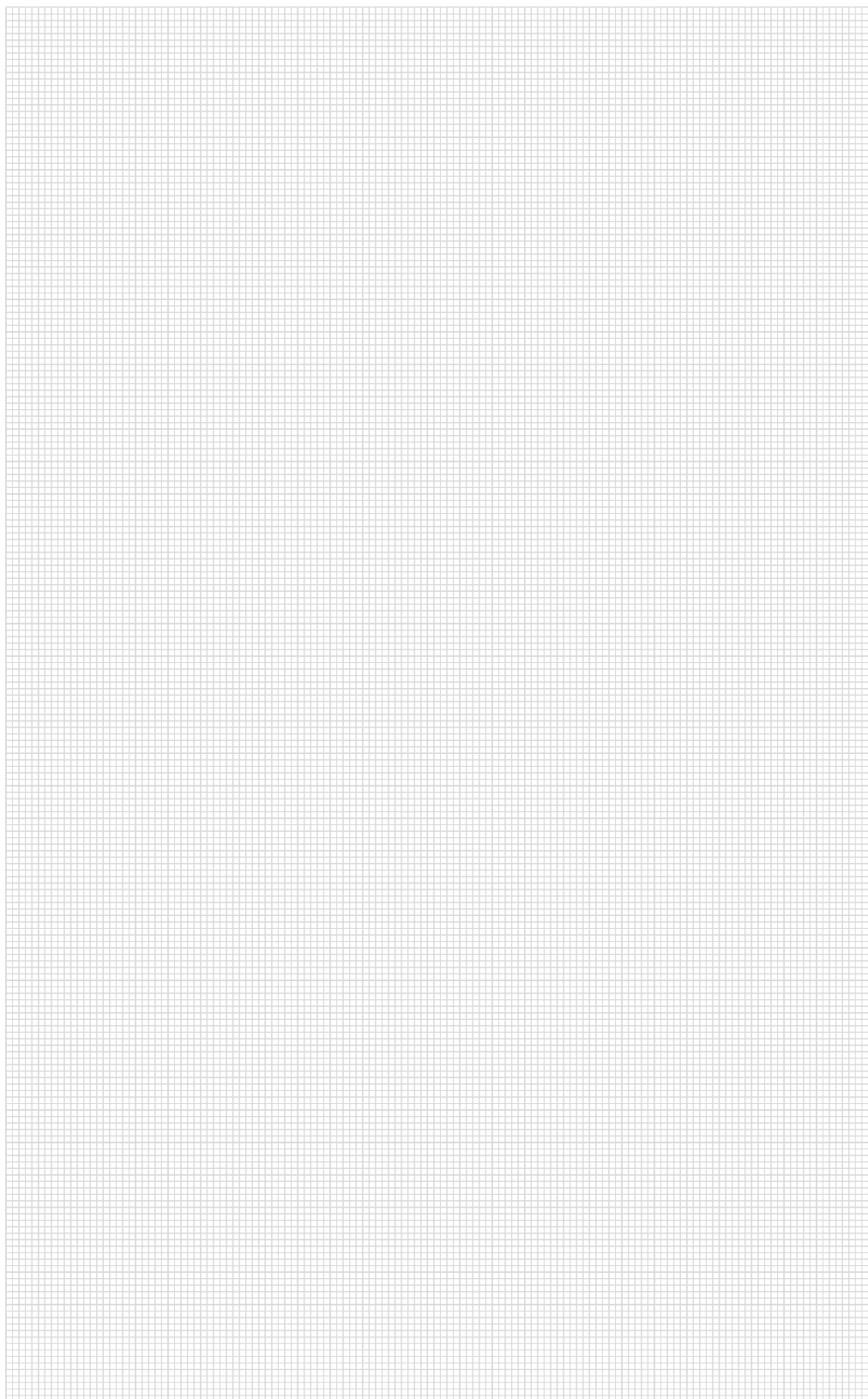
A large rectangular area filled with a fine grid pattern, intended for taking notes.



Notes

A large rectangular area filled with a fine grid pattern, intended for taking notes.

Notes

A large rectangular area filled with a fine grid pattern, intended for taking notes.

**MACO
RAIL-SYSTEMS**



**MAYER & CO
BESCHLÄGE GMBH**

Alpenstraße 173
A-5020 Salzburg

Tel.: +43 662 6196-0
E-Mail: maco@maco.eu
www.maco.eu

Satisfied?

We appreciate your
feedback@maco.eu

Order No. 757731 - Date: January 2019
All rights reserved and subject to change.
Graphic source: MACO

This print document is revised regularly.
The latest version is available at
<http://www.maco.eu/sites/assets/MacoDocs/757717/757731.pdf>
or by scanning the QR code

