

TECHNOLOGY IN MOTION



MACO PROTECT

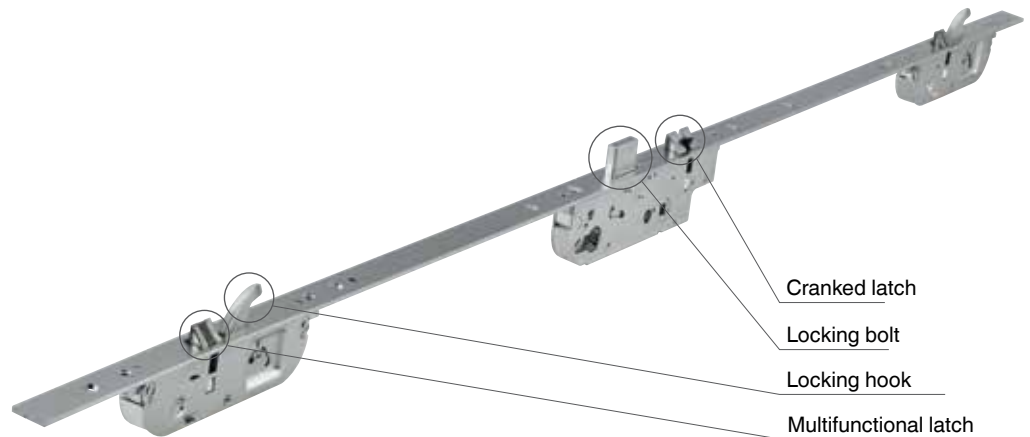
DOOR LOCKS

Z-TA

3 LATCH LOCK
AUTOMATIC
AND COMFORT



Operation and function



Z-TA operation

- The Z-TA Automatic door lock mechanically locks automatically once the door leaf is closed. The locking process is initiated by a magnet positioned on the frame side.
- After the door leaf has been closed, the 3 latches engage in the striker plate. Immediately after this, the locking elements – locking bolt and locking hook – engage automatically. The door is 100% locked, i.e. fully closed with optimum gasket compression.
- After closing the door sash, the lock does not need to be locked with the key. The front door is already locked.
- The door can be conveniently opened manually using the handle (internal) or the profile cylinder (from the outside using the key).
- To prevent unwanted opening of the door from the inside using the handle, it can be locked a second time by a 360° turn on the cylinder. The door handle is then blocked. The door can no longer be opened from the inside by turning the handle.
- In the Z-TA Comfort version, the door lock is also equipped with a motor for motorised unbolting of the door. This allows the Z-TA Comfort to be used together with the MACO openDoor access control system. openDoor is available as a “Transponder” surface-mounted solution and as “Touch” (fingerprint), “Code” (keypad) and “Transponder-Plus” door leaf-integrated versions.

Notes

- As the locking is automatic, the locking elements only engage when the lock is in a closed state, i.e. when the door leaf is closed in the frame. It is only then that the locking mechanism is triggered by the magnets positioned on the frame side.
- When the door is open, the lock cannot be locked using the cylinder (key).
- The automatic locks do not engage if one of the latches is pressed (mishandling device).
- A function check can be carried out on an open door using the MACO tripping magnet, order number 227538 in a vertical position. To do so, place the tripping magnet on the mechanism between the latch and the locking bolt and press the main latch. Once the main latch is released, all locks must automatically engage.

Reliability guarantee

- To guarantee that the Z-TA door lock functions reliably, the distance between the upper edge of the magnet on the striker plate and the lock must be at least 2 mm, but no more than 6 mm.
- Avoid extremely high gasket compression on the main latch so that this is always able to fully engage.



Advantages

- Automatic and 100% secure locking (no locking up necessary!)
- Door leaf is held automatically and continuously by 3 latches without additional locking
- Improved impermeability (sound and thermal insulation)
- Gasket compression can be adjusted on the striker plates
- Open with ease by handle (inside) or key (outside)
- Push-back safeguard on all locking points
- Door can be equipped with MACO openDoor access control systems such as Touch (fingerprint), Code (keypad) and Transponder PLUS.

Possible problems with the fitted unit

If problems arise with a fitted door element, the first thing to do is carry out a function check as described under notes. Then consider the following points.

Problem	Possible cause	Remedial measure
The lock cannot be locked with the key	Air gap too small, latch cannot extend far enough	Check air gap between striker plate and lock, adjust if necessary
	Air gap too large	Check air gap between striker plate and lock, adjust if necessary
	Gasket compression too high	Position the latch element outward
Function check failed	Screws are screwed in at a large pitch and therefore they clamp the tower bolt	Screw the screws in straight

Note!

The Z-TA door lock is equipped with permanent lubrication. Do not apply any rust remover (e.g. WD40), silicone sprays or other lubricants into the lock case or the auxiliary locks.

